



PORTABLE GAS DETECTION

2019 OrderGuide | USD

Table of Contents



Reference

- ii Product Selector
- iv Product Selector (by Gas)

Single-Gas Detectors

- 1 Honeywell BW Clip® Series
- 4 Honeywell BW™ Solo

Multi-Gas Detectors

- 12 Honeywell BW™ MicroClip Series
- 18 Honeywell BW™ Clip4
- 20 GasAlertQuattro
- 26 Honeywell BW™ Max XT II
- 33 GasAlertMicro 5 Series
- 46 Honeywell BW™ Ultra

Sampling Equipment

- 52 Sampling Equipment

Docking, Testing and Data Management

- 55 Honeywell IntelliDoX®
- 58 MicroDock II

Connected Worker Solutions

- 64 Honeywell Safety Suite
- 65 ConneXt Loneworker
- 66 ProRAE Guardian
- 67 Safety and Productivity Apps
- 69 Legacy Fleet Management

Calibration Equipment

- 71 Group A
(Honeywell BW Clip® Series, Honeywell BW™ Solo, Honeywell BW™ MicroClip Series, GasAlertQuattro, Honeywell BW™ Max XT II, GasAlertMicro 5 Series)
- 74 Group B
(ToxiPro®, MultiPro™, PHD6™)

Full Product Index

- 75 Single-Gas Detectors
- 81 Multi-Gas Detectors
- 109 Docking, Testing and Data Management
- 112 Connected Worker Solutions
- 112 Calibration Equipment
- 114 General Accessories, Replacements, Spares & Service Parts

Appendix

- 117 Filtered Catalytic Bead Combustible (LEL) Sensor Information
- 118 Portable Gas Detection Sensor Replacement Guide
- 120 PID Information
- 121 PID Detectable Gases
- 122 USA Quick Ship Program & Standard Lead Times
- 124 Honeywell Analytics Online
- 126 Warranty, Repair, Service and Returns

Note

Prices shown in this document do not include shipping or applicable taxes unless explicitly stated. Please note that prices, specifications and exact product offering are subject to change without notice. Additional shipping and handling fees may apply for some products. In the event a price is published incorrectly, Honeywell International reserves the right to sell the item at the correct (actual) price. This publication is not intended to form the basis of a contract.

Product Selector

Product	Features	No. of gases	Gases Detected	Warranty
Honeywell BW Clip® Series (page 1)	<ul style="list-style-type: none"> Zero-maintenance Low cost of ownership 	1	H ₂ S, CO, O ₂ , SO ₂	2 or 3 years
Honeywell BW™ Solo (page 4)	<ul style="list-style-type: none"> User-settable options Large display Replaceable battery 	1	H ₂ S, CO, O ₂ , SO ₂ , NH ₃ , PH ₃ , Cl ₂ , ClO ₂ , NO, NO ₂ , HCN, ETO, O ₃ , H ₂	3 years*
Honeywell BW™ MicroClip XL (page 12)	<ul style="list-style-type: none"> IntelliFlash One-button operation Small and lightweight IP68 for unmatched dust and water protection 	1 to 4	H ₂ S, CO, O ₂ , LEL	2 years
Honeywell BW™ MicroClip X3 (page 12)	<ul style="list-style-type: none"> Longer expected service life with a full three-year unit warranty IntelliFlash One-button operation Small and lightweight IP 68 for unmatched dust and water protection 	1 to 4	H ₂ S, CO, O ₂ , LEL	3 years
Honeywell BW™ Clip4 (page 18)	<ul style="list-style-type: none"> 2-year continuous runtime One-button operation Small and lightweight IP 68 for unmatched dust and water protection 	4	H ₂ S, CO, O ₂ , LEL	2 years
GasAlertQuattro (page 20)	<ul style="list-style-type: none"> Rechargeable or alkaline battery packs IntelliFlash One-button operation Easy to read LCD with icons 	1 to 4	H ₂ S, CO, O ₂ , LEL	2 years
Honeywell BW™ Max XT II (page 26)	<ul style="list-style-type: none"> Built-in motorized sampling pump Rechargeable battery IntelliFlash One-button operation 	1 to 4	H ₂ S, CO, O ₂ , LEL	2 years
GasAlertMicro 5 Series (page 33)	<ul style="list-style-type: none"> Rechargeable or alkaline battery packs Feature-rich user options 	1 to 5	VOCs, CO ₂ , LEL, H ₂ S, CO, O ₂ , SO ₂ , PH ₃ , NH ₃ , NO ₂ , HCN, Cl ₂ , ClO ₂ , O ₃	2 years*
Honeywell BW™ Ultra (page 46)	<ul style="list-style-type: none"> Built-in motorized sampling pump Rechargeable battery IntelliFlash One-button operation Feature-rich user options 	1 to 5	VOCs, CO ₂ , LEL, H ₂ S, CO, O ₂ , SO ₂ , NH ₃ , NO, NO ₂ , HCN, Cl ₂ , H ₂	3 years*

*Note: Some gas types, sensors and/or parts carry a separate warranty. See product page for specific details.

Product (cont'd)	Power	Battery life	Pump	Confined Space Kit	Docking System
Honeywell BW Clip® Series (page 1)	Continuous	2 or 3 years	N/A	N/A	Honeywell IntelliDoX®
Honeywell BW™ Solo (page 4)	3.6V, replaceable	1 year, replaceable	N/A	N/A	Honeywell IntelliDoX®
Honeywell BW™ MicroClip XL (page 12)	Rechargeable	Up to 18 hours	Manual aspirator pump (sold separately)	Deluxe or carrying case only	Honeywell IntelliDoX®
Honeywell BW™ MicroClip X3 (page 12)	Rechargeable	Up to 18 hours	Manual aspirator pump (sold separately)	Deluxe or carrying case only	Honeywell IntelliDoX®
Honeywell BW™ Clip4 (page 18)	Continuous	2 years	Manual aspirator pump (sold separately)	N/A	Honeywell IntelliDoX®
GasAlertQuattro (page 20)	Rechargeable or alkaline battery packs	Up to 20 hours	Manual aspirator pump (sold separately)	With detector, deluxe or carrying case only	MicroDock II
Honeywell BW™ Max XT II (page 26)	Rechargeable	Up to 13 hours	Built-in motorized pump	With detector, deluxe or carrying case only	MicroDock II, Honeywell IntelliDoX®
GasAlertMicro 5 Series (page 33)	Rechargeable or alkaline battery packs	Up to 20 hours	Motorized pump module (optional) or manual aspirator pump (sold separately)	Deluxe or carrying case only	MicroDock II
Honeywell BW™ Ultra (page 46)	Rechargeable battery pack	Up to 18 hours	Built-in motorized pump	Deluxe or carrying case only	Honeywell IntelliDoX®

Product Selector (by Gas)

Gases	CAS No.	Honeywell BW Clip® Series	Honeywell BW™ Solo	Honeywell BW™ MicroClip Series	Honeywell BW™ Clip4	GasAlertQuattro	Honeywell BW™ Max XT II	GasAlertMicro 5 Series	Honeywell BW™ Ultra
Ammonia (NH ₃)	7664-41-7		EC					EC	EC
Carbon dioxide (CO ₂)	124-38-9							IR	IR
Carbon monoxide (CO)	630-08-0	EC	EC	EC	EC	EC	EC	EC	EC
Chlorine (Cl ₂)	7782-50-5		EC					EC	EC
Chlorine dioxide (ClO ₂)	10049-04-4		EC					EC	
Ethylene oxide (C ₂ H ₄ O)	75-21-8		EC						
Combustible - %Vol									IR
Combustible - LEL				CAT	IR	CAT	CAT	CAT	CAT/IR
Hydrogen (H ₂)	1333-74-0		EC						EC
Hydrogen cyanide (HCN)	74-90-8		EC					EC	EC
Hydrogen sulfide (H ₂ S)	6/4/7783	EC	EC	EC	EC	EC	EC	EC	EC
Nitric oxide (NO)	10102-43-9		EC					EC	EC
Nitrogen dioxide (NO ₂)	10102-44-0		EC					EC	EC
Oxygen (O ₂)	7782-44-7	EC	EC	EC	EC	EC	EC	EC	EC
Ozone (O ₃)	10028-15-6		EC					EC	
Phosphine (PH ₃)	7803-51-2		EC					EC	
Sulfur dioxide (SO ₂)	9/5/7446	EC	EC					EC	EC
Volatile organic compounds (VOCs)								PID	PID

EC = Electrochemical Cell / CAT = Catalytic Bead Sensor / IR = Infrared Sensor / PID = Photoionization Detector

Note: See product section for additional gases.

Single-Gas Detectors

- 1 Honeywell BW Clip® Series
- 4 Honeywell BW™ Solo



Single-Gas Detectors

- 1 Honeywell BW Clip® Series
- 4 Honeywell BW™ Solo





Honeywell BW Clip® Series

Single-Gas Detectors

The most user-friendly, reliable and cost-effective way to ensure safety and compliance

The Honeywell BW Clip® Series single-gas detector is your everyday companion for hazardous environments. It operates up to three years maintenance-free: Just turn on the device and it runs continuously — no need for calibration, sensor replacement, battery replacement or battery charging. That means great reliability and no downtime.

Plus, with the two-year Honeywell BW Clip® Series for H₂S or CO, you can put the device in a hibernation case when you're not using it for a week or more — and extend its life by that period of time.

Compatible with both the MicroDock II and the Honeywell IntelliDoX® instrument management systems, the Honeywell BW Clip® Series is engineered to the highest standards of quality and reliability, keeping you safe and compliant.

Standard Package Contents

- Detector complete with specified sensor, stainless steel alligator clip and concussion-proof housing
- Test cap
- Instructions

H₂S Hydrogen Sulfide

O₂ Oxygen

CO Carbon Monoxide

SO₂ Sulfur Dioxide

GENERAL SPECIFICATIONS	
SIZE	1.6 x 2.0 x 3.4 in. / 4.1 x 5.0 x 8.7 cm
WEIGHT	3.2 oz. / 92 g
TYPICAL BATTERY LIFE	Two years (H ₂ S, CO, SO ₂ or O ₂) or three years (H ₂ S or CO)
CERTIFICATIONS AND APPROVALS	<p>UL : Class I, Div. 1, Gr. A, B, C, D Class I, Zone 0, Group IIC</p> <p>ATEX: CE 0539 II 1G Ex ia IIC T4 Ga IP66/67 DEMKO 14 ATEX 1356</p> <p>CE: European Conformity</p> <p>EC: EC Declaration of Conformity www.honeywellanalytics.com</p> <p>IECEX: Ex ia IIC T4 Ga IP66/67 IECEX UL 14.0063</p> <p>For additional certifications, please review the manual or consult Honeywell Analytics.</p>
WARRANTY	<p>Two or three years from activation (given normal operation), plus one year shelf life (6 months for O₂ model)</p> <p>Up to three years from activation for two-year H₂S and CO detectors when used with the hibernation feature, limited by 24 months of detector operation</p>

50115903-067

Honeywell BW Clip® Series Single-Gas Detector (continued)

Honeywell BW Clip® 2-Year Detectors	Default Alarm Setpoints		Alarm Setpoints Range		Measuring Range	Order Number
	Low	High	Min.	Max.		
Hydrogen sulfide (H ₂ S)	10 ppm	15 ppm	1.6 ppm	20 ppm	0-100 ppm	BWC2-H*
Hydrogen sulfide (H ₂ S)	5 ppm	10 ppm	1.6 ppm	20 ppm	0-100 ppm	BWC2-H510*
Hydrogen sulfide (H ₂ S)	5 ppm	15 ppm	1.6 ppm	20 ppm	0-100 ppm	BWC2-H515
Carbon monoxide (CO)	35 ppm	200 ppm	5 ppm	200 ppm	0-300 ppm	BWC2-M*
Carbon monoxide (CO)	25 ppm	100 ppm	5 ppm	200 ppm	0-300 ppm	BWC2-M25100
Carbon monoxide (CO)	50 ppm	200 ppm	5 ppm	200 ppm	0-300 ppm	BWC2-M50200
Sulfur dioxide (SO ₂)	5 ppm	10 ppm	2 ppm	20 ppm	0-100 ppm	BWC2-S*
Sulfur dioxide (SO ₂)	2 ppm	4 ppm	2 ppm	20 ppm	0-100 ppm	BWC2-S24
Oxygen (O ₂)	19.5% vol.	23.5% vol.	18% vol.	25% vol.	0-25% vol.	BWC2-X*
Hydrogen sulfide (H ₂ S) - 50-unit bulk pack	10 ppm	15 ppm	1.6 ppm	20 ppm	0-100 ppm	BWC2-H-B50

Honeywell BW Clip® 3-Year Detectors	Default Alarm Setpoints		Alarm Setpoints Range		Measuring Range	Order Number
	High	Low	Min.	Max.		
Hydrogen sulfide (H ₂ S)	10 ppm	15 ppm	1.6 ppm	20 ppm	0-100 ppm	BWC3-H*
Carbon monoxide (CO)	35 ppm	200 ppm	5 ppm	200 ppm	0-300 ppm	BWC3-M*

Honeywell BW Clip® Real Time 2-Year Detectors	Default Alarm Setpoints		Alarm Setpoints Range		Measuring Range	Order Number
	Low	High	Min.	Max.		
Hydrogen sulfide (H ₂ S)	10 ppm	15 ppm	1.6 ppm	20 ppm	0-100 ppm	BWC2R-H*
Hydrogen sulfide (H ₂ S)	5 ppm	10 ppm	1.6 ppm	20 ppm	0-100 ppm	BWC2R-H510
Hydrogen sulfide (H ₂ S)	5 ppm	15 ppm	1.6 ppm	20 ppm	0-100 ppm	BWC2R-H515
Carbon monoxide (CO)	35 ppm	200 ppm	5 ppm	200 ppm	0-300 ppm	BWC2R-M*
Carbon monoxide (CO)	25 ppm	100 ppm	5 ppm	200 ppm	0-300 ppm	BWC2R-M25100
Carbon monoxide (CO)	50 ppm	200 ppm	5 ppm	200 ppm	0-300 ppm	BWC2R-M50200
Sulfur dioxide (SO ₂)	5 ppm	10 ppm	2 ppm	20 ppm	0-100 ppm	BWC2R-S*
Sulfur dioxide (SO ₂)	2 ppm	4 ppm	2 ppm	20 ppm	0-100 ppm	BWC2R-S24
Oxygen (O ₂)	19.5% vol.	23.5% vol.	18% vol.	25% vol.	0-25% vol.	BWC2R-X*

Honeywell BW Clip® Real Time 3-Year Detectors	Default Alarm Setpoints		Alarm Setpoints Range		Measuring Range	Order Number
	High	Low	Min.	Max.		
Hydrogen sulfide (H ₂ S)	10 ppm	15 ppm	1.6 ppm	20 ppm	0-100 ppm	BWC3R-H*
Carbon monoxide (CO)	35 ppm	200 ppm	5 ppm	200 ppm	0-300 ppm	BWC3R-M*

*To order a detector with a black housing, add suffix "-B" to the order number. Contact your Honeywell Regional Sales Manager for availability.

For a complete list of available Honeywell BW Clip® Series detector configurations, please see pages 75-76 in Full Product Index.

Honeywell BW Clip® Series Accessories	Order Number
Hibernation case for Honeywell BW Clip® Series	CLIPHB-CASE
Hibernation case for Honeywell BW Clip® Series (50-unit bulk package)	CLIPHB-CASE-B50
Neck strap with safety release	GA-NS-1
Short strap (6 in. / 15.2 cm)	GA-LY-1

Honeywell BW Clip® Series Single-Gas Detector (continued)



Honeywell IntelliDoX®, unmatched performance and customization.

The Honeywell IntelliDoX® instrument management system combines smart docking modules with Fleet Manager II software to provide automated instrument management, helping drive productivity, reliability and efficiency. Place the detector in the docking module, and it automatically tests the gas detector and sensors while transferring data to the docking station.

The Honeywell IntelliDoX®, via Fleet Manager II software, allows users to configure these settings for their Honeywell BW Clip® Series detectors:

- Display peak reading
- Time of peak reading
- Low alarm setpoint
- High alarm setpoint
- Real-time clock
- Bump test reminder
- Display gas readings during alarm
- Non-compliance indicator
- Manual zero sensor
- Activate hibernation alarm

Honeywell IntelliDoX® Docking System	Order Number
Honeywell IntelliDoX® docking station for Honeywell BW Clip® Series	DX-CLIP
Enabler kit, NA version (North America)	DX-ENBL-NA

Note: One Honeywell IntelliDoX® enabler kit is required for each docking system. Each docking system can support up to 5 Honeywell IntelliDoX® modules. For a complete list of Honeywell IntelliDoX® parts, please refer to the Honeywell IntelliDoX® Docking System section on pages 55-57.

Testing Equipment	Order Number
Test cap and hose (1 ft. / 0.3 m) replacement	GA-TC-1
Hydrogen sulfide (H ₂ S, 25 ppm), balance N ₂ , 34 L (requires REG-DF-1 or REG-0.5)	CG2-H-25-34
Hydrogen Sulfide (H ₂ S, 25 ppm), balance N ₂ , 58 L (requires REG-DF-1 or REG-0.5)	G0042-H25
Carbon monoxide (CO, 100 ppm), balance N ₂ , 34 L (requires REG-DF-3 or REG2-0.5)	CG2-M-100-34
Carbon monoxide (CO, 100 ppm), balance N ₂ , 58 L (requires REG-DF-1 or REG-0.5)	CG2-M-100-58
Oxygen (O ₂ , 18.0%), balance N ₂ , 34 L (requires REG-DF-3 or REG2-0.5)	CG2-X-18.0-34
Sulfur dioxide (SO ₂ , 20 ppm), balance N ₂ , 34 L	CG2-S-20-34
Sulfur dioxide (SO ₂ , 20 ppm), balance N ₂ , 58 L	CG2-S-20-58
Quad-gas: CH ₄ (2.5%), O ₂ (18.0%), H ₂ S (25 ppm), CO (100 ppm), balance N ₂ , 34 L (requires REG-DF-1 or REG-0.5)	CG-Q34-4
Quad-gas: CH ₄ (2.5%), O ₂ (18.0%), H ₂ S (25 ppm), CO (100 ppm), balance N ₂ , 58 L (requires REG-DF-1 or REG-0.5)	CG-Q58-4
Demand flow regulator (for use with the Honeywell IntelliDoX®)	REG-DF-1
Calibration gas regulator (0.5 LPM)	REG-0.5
Calibration hose, Tygon (1 ft. / 0.3 m, 1/8 in. I.D., 1/4 in. O.D.)	C2-HOSE1-1
Wall mount (adjustable) for 34, 58, 103 L gas cylinders, red	MK-CG2-58

For a full list of calibration and testing equipment, please see pages 71-73.



Hibernation case

ClipHB-Case

Gain up to one extra year of operation on two-year H₂S and CO Honeywell BW Clip® Series detectors.



Short Strap

GA-LY-1



Neck Strap

GA-NS-1



Honeywell BW™ Solo

Serviceable Single-Gas Detector

The Honeywell BW™ Solo is easy to operate and service and includes an extensive selection of sensor options. It can help reduce the cost of ownership for serviceable single-gas detectors and includes a wireless option for enabling connected workers. The profile is small and lightweight, and the design is ruggedized for years of reliable service. No need to take apart the Honeywell BW™ Solo for common maintenance tasks; simply pop off the front door to replace a sensor or filter, or remove a single screw for battery replacement.

Optional wireless connectivity enables additional capabilities such as dock-less transfer of data and event logs, and real-time monitoring of worker safety.

Standard Package Contents

- Detector complete with specified sensor, stainless steel alligator clip and concussion-proof housing
- Calibration/test cap and hose
- Instructions

GENERAL SPECIFICATIONS	
SIZE	2.7 x 2.6 x 1.4 in. / 7.0 x 6.7 x 3.6 cm (1-Series sensor models) 2.7 x 2.6 x 1.6 in. / 7.0 x 6.7 x 4.1 cm (4-Series sensor models)
WEIGHT	3.6 to 4.1 oz. / 103 to 116 g, depending on installed sensor
OPERATING TEMPERATURE	-40 to +140° F / -40 to +60° C intrinsic safety
INGRESS PROTECTION	IP66/68
WARRANTY	3 years for 1-Series detectors and sensors (H ₂ S, CO, O ₂) 2 years for 4-Series detectors and sensors (1 year for NH ₃ , Cl ₂ , O ₃ , ETO, ClO ₂ sensors)

DS101618-01

H₂S	Hydrogen Sulfide	ClO₂	Chlorine Dioxide
CO	Carbon Monoxide	NO	Nitric Oxide
O₂	Oxygen	NO₂	Nitrogen Dioxide
SO₂	Sulfur Dioxide	HCN	Hydrogen Cyanide
NH₃	Ammonia	ETO	Ethylene Oxide
PH₃	Phosphine	O₃	Ozone
Cl₂	Chlorine	H₂	Hydrogen

Honeywell BW™ Solo

Serviceable Single-Gas Detector

Honeywell BW™ Solo, Non-wireless	Measuring Range	Order Number	
		Black	Yellow
Ammonia (NH ₃), non-wireless	0-100 ppm	BWS-A-B	BWS-A-Y
Ammonia (NH ₃) (extended range), non-wireless	0-1000 ppm	BWS-A2-B	BWS-A2-Y
Carbon monoxide (CO), non-wireless	0-2000 ppm	BWS-ML-B	BWS-ML-Y
Carbon monoxide (CO-H), H ₂ resistant, non-wireless	0-2000 ppm	BWS-M2-B	BWS-M2-Y
Chlorine (Cl ₂), non-wireless	0-50 ppm	BWS-C-B	BWS-C-Y
Chlorine dioxide (ClO ₂), non-wireless	0-1 ppm	BWS-V-B	BWS-V-Y
Ethylene oxide (ETO) (C ₂ H ₄ O), non-wireless	0-100 ppm	BWS-E-B	BWS-E-Y
Hydrogen (H ₂), non-wireless	0-1000 ppm	BWS-R-B	BWS-R-Y
Hydrogen cyanide (HCN), non-wireless	0-100 ppm	BWS-Z-B	BWS-Z-Y
Hydrogen sulfide (H ₂ S), non-wireless	0-200 ppm	BWS-HL-B	BWS-HL-Y
Hydrogen sulfide (H ₂ S) (extended range), non-wireless	0-500 ppm	BWS-H2-B	BWS-H2-Y
Nitric oxide (NO), non-wireless	0-250 ppm	BWS-N-B	BWS-N-Y
Nitrogen dioxide (NO ₂), non-wireless	0-100 ppm	BWS-D-B	BWS-D-Y
Oxygen (O ₂), non-wireless	0-30% v/v	BWS-XL-B	BWS-XL-Y
Ozone (O ₃), non-wireless	0-1 ppm	BWS-G-B	BWS-G-Y
Phosphine (PH ₃), non-wireless	0-5 ppm	BWS-P-B	BWS-P-Y
Sulfur dioxide (SO ₂), non-wireless	0-100 ppm	BWS-S-B	BWS-S-Y

Honeywell BW™ Solo, Wireless	Measuring Range	Order Number	
		Black	Yellow
Ammonia (NH ₃), wireless	0-100 ppm	BWS1-A-B	BWS1-A-Y
Ammonia (NH ₃) (extended range), wireless	0-1000 ppm	BWS1-A2-B	BWS1-A2-Y
Carbon monoxide (CO), wireless	0-2000 ppm	BWS1-ML-B	BWS1-ML-Y
Carbon monoxide (CO-H), H ₂ resistant, wireless	0-2000 ppm	BWS1-M2-B	BWS1-M2-Y
Chlorine (Cl ₂), wireless	0-50 ppm	BWS1-C-B	BWS1-C-Y
Chlorine dioxide (ClO ₂), wireless	0-1 ppm	BWS1-V-B	BWS1-V-Y
Ethylene oxide (ETO) (C ₂ H ₄ O), wireless	0-100 ppm	BWS1-E-B	BWS1-E-Y
Hydrogen (H ₂), wireless	0-1000 ppm	BWS1-R-B	BWS1-R-Y
Hydrogen cyanide (HCN), wireless	0-100 ppm	BWS1-Z-B	BWS1-Z-Y
Hydrogen sulfide (H ₂ S), wireless	0-200 ppm	BWS1-HL-B	BWS1-HL-Y
Hydrogen sulfide (H ₂ S) (extended range), wireless	0-500 ppm	BWS1-H2-B	BWS1-H2-Y
Nitric oxide (NO), wireless	0-250 ppm	BWS1-N-B	BWS1-N-Y
Nitrogen dioxide (NO ₂), wireless	0-100 ppm	BWS1-D-B	BWS1-D-Y
Oxygen (O ₂), wireless	0-30% v/v	BWS1-XL-B	BWS1-XL-Y
Ozone (O ₃), wireless	0-1 ppm	BWS1-G-B	BWS1-G-Y
Phosphine (PH ₃), wireless	0-5 ppm	BWS1-P-B	BWS1-P-Y
Sulfur dioxide (SO ₂), wireless	0-100 ppm	BWS1-S-B	BWS1-S-Y

Honeywell BW™ Solo Serviceable Single-Gas Detector (continued)

Honeywell IntelliDoX® Automated Instrument Management System	Order Number
Honeywell IntelliDoX® docking station for Honeywell BW™ Solo	DX-SOLO
Honeywell IntelliDoX® Nest for Honeywell BW™ Solo	DX-NEST-SOLO
Honeywell IntelliDoX® enabler kit, NA version (North America) <i>Includes power supply with region-specific AC power cord, ethernet cable, inlet (purge) filter assembly, 3 ft. / 1 m calibration gas tubing, 3 ft. / 1 m purge gas tubing, 15 ft. / 4.5 m exhaust tubing and quick connect fittings.</i>	DX-ENBL-NA

Note: One Honeywell IntelliDoX® enabler kit is required for each docking system. Each docking system can support up to 5 Honeywell IntelliDoX® modules. For a complete list of Honeywell IntelliDoX® parts, please refer to the Honeywell IntelliDoX® Docking System section on pages 55-57.

Replacement Sensors	Order Number
Replacement carbon monoxide (CO) sensor (1-Series) [†]	SR-M1-1S
Replacement hydrogen sulfide (H ₂ S) sensor (1-Series) [†]	SR-H1-1S
Replacement oxygen (O ₂) sensor (1-Series) [†]	SR-X1-1S
Replacement chlorine (Cl ₂) sensor (4-Series)*	PS-RC10
Replacement chlorine dioxide (ClO ₂) sensor (4-Series)*	SR-V04
Replacement carbon monoxide, hydrogen (h ₂) resistant (CO-H) sensor (4-Series)	54-47-19
Replacement ethylene oxide (ETO) sensor (4-Series)*	SR-ER04
Replacement hydrogen (H ₂) sensor (4-Series)	SR-RR04
Replacement hydrogen sulfide (H ₂ S), extended range sensor (4-Series)	PS-RH04S
Replacement hydrogen cyanide (HCN) sensor (4-Series)	SR-ZR04
Replacement ammonia (NH ₃) sensor (4-Series)*	SR-A04
Replacement ammonia (NH ₃), extended range sensor (4-Series)*	SR-A204
Replacement nitric oxide (NO) sensor (4-Series)	SR-NR04
Replacement nitrogen dioxide (NO ₂) sensor (4-Series)	PS-RD04
Replacement ozone (O ₃) sensor (4-Series)*	SR-G04
Replacement phosphine (PH ₃) sensor (4-Series)	SR-PO4
Replacement sulfur dioxide (SO ₂) sensor (4-Series)	PS-RS04

*Note: All sensors come with a 2 year warranty unless marked with [†] (3 year warranty) or * (1 year warranty).*

Honeywell BW™ Solo Serviceable Single-Gas Detector (continued)

Replacement PCBs	Order Number
Replacement PCB, chlorine (Cl ₂), non-wireless	BWS-C-PCB1
Replacement PCB, chlorine dioxide (ClO ₂), non-wireless	BWS-V-PCB1
Replacement PCB, carbon monoxide (CO), non-wireless	BWS-ML-PCB1
Replacement PCB, carbon monoxide, hydrogen (h ₂) resistant (CO-H), non-wireless	BWS-M2-PCB1
Replacement PCB, ethylene oxide (ETO), non-wireless	BWS-E-PCB1
Replacement PCB, hydrogen (H ₂), non-wireless	BWS-R-PCB1
Replacement PCB, hydrogen sulfide (H ₂ S), non-wireless	BWS-HL-PCB1
Replacement PCB, hydrogen sulfide (H ₂ S), extended range, non-wireless	BWS-H-2-PCB1
Replacement PCB, hydrogen cyanide (HCN), non-wireless	BWS-Z-PCB1
Replacement PCB, ammonia (NH ₃), non-wireless	BWS-A-PCB1
Replacement PCB, ammonia (NH ₃), extended range, non-wireless	BWS-A2-PCB1
Replacement PCB, nitric oxide (NO), non-wireless	BWS-N-PCB1
Replacement PCB, nitrogen dioxide (NO ₂), non-wireless	BWS-D-PCB1
Replacement PCB, oxygen (O ₂), non-wireless	BWS-XL-PCB1
Replacement PCB, ozone (O ₃), non-wireless	BWS-G-PCB1
Replacement PCB, phosphine (PH ₃), non-wireless	BWS-P-PCB1
Replacement PCB, sulfur dioxide (SO ₂), non-wireless	BWS-S-PCB1
Replacement PCB, chlorine (Cl ₂), wireless	BWS1-C-PCB1
Replacement PCB, chlorine dioxide (ClO ₂), wireless	BWS1-V-PCB1
Replacement PCB, carbon monoxide (CO), wireless	BWS1-ML-PCB1
Replacement PCB, carbon monoxide, hydrogen (h ₂) resistant (CO-H), wireless	BWS1-M2-PCB1
Replacement PCB, ethylene oxide (ETO), wireless	BWS1-E-PCB1
Replacement PCB, hydrogen (H ₂), wireless	BWS1-R-PCB1
Replacement PCB, hydrogen sulfide (H ₂ S), wireless	BWS1-HL-PCB1
Replacement PCB, hydrogen sulfide (H ₂ S), extended range, wireless	BWS1-H-2-PCB1
Replacement PCB, hydrogen cyanide (HCN), wireless	BWS1-Z-PCB1
Replacement PCB, ammonia (NH ₃), wireless	BWS1-A-PCB1
Replacement PCB, ammonia (NH ₃), extended range, wireless	BWS1-A2-PCB1
Replacement PCB, nitric oxide (NO), wireless	BWS1-N-PCB1
Replacement PCB, nitrogen dioxide (NO ₂), wireless	BWS1-D-PCB1
Replacement PCB, oxygen (O ₂), wireless	BWS1-XL-PCB1
Replacement PCB, ozone (O ₃), wireless	BWS1-G-PCB1
Replacement PCB, phosphine (PH ₃), wireless	BWS1-P-PCB1
Replacement PCB, sulfur dioxide (SO ₂), wireless	BWS1-S-PCB1

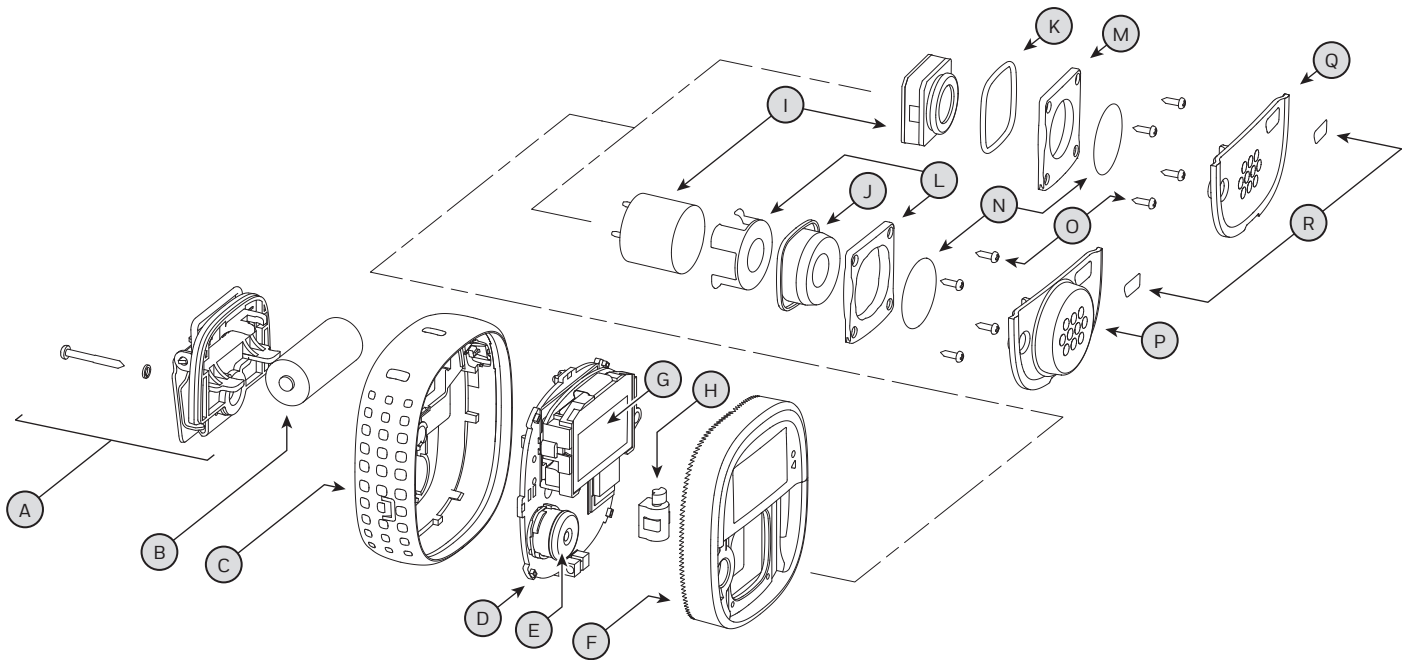
Honeywell BW™ Solo Serviceable Single-Gas Detector (continued)

Replacement Gas Type Labels	Order Number
Replacement gas label, chlorine (Cl ₂)	BWS-C-LABEL
Replacement gas label, chlorine dioxide (ClO ₂)	BWS-V-LABEL
Replacement gas label, carbon monoxide (CO)	BWS-M-LABEL
Replacement gas label, carbon monoxide, hydrogen (H ₂) resistant (CO-H)	BWS-M2-LABEL
Replacement gas label, ethylene oxide (ETO)	BWS-E-LABEL
Replacement gas label, hydrogen (H ₂)	BWS-R-LABEL
Replacement gas label, hydrogen sulfide (H ₂ S)	BWS-H-LABEL
Replacement gas label, hydrogen cyanide (HCN)	BWS-Z-LABEL
Replacement gas label, ammonia (NH ₃)	BWS-A-LABEL
Replacement gas label, nitric oxide (NO)	BWS-N-LABEL
Replacement gas label, nitrogen dioxide (NO ₂)	BWS-D-LABEL
Replacement gas label, oxygen (O ₂)	BWS-X-LABEL
Replacement gas label, ozone (O ₃)	BWS-G-LABEL
Replacement gas label, phosphine (PH ₃)	BWS-P-LABEL
Replacement gas label, sulfur dioxide (SO ₂)	BWS-S-LABEL

Calibration & Testing Equipment	Order Number
Hydrogen sulfide (H ₂ S, 25 ppm), balance N ₂ , 34 L (requires REG-DF-1 or REG-0.5)	CG2-H-25-34
Hydrogen sulfide (H ₂ S, 25 ppm), balance N ₂ , 58 L (requires REG-DF-1 or REG-0.5)	G0042-H25
Carbon monoxide (CO, 100 ppm), balance N ₂ , 34 L (requires REG-DF-3 or REG2-0.5)	CG2-M-100-34
Carbon monoxide (CO, 100 ppm), balance N ₂ , 58 L (requires REG-DF-1 or REG-0.5)	CG2-M-100-58
Sulfur dioxide (SO ₂ , 20 ppm), balance N ₂ , 34 L	CG2-S-20-34
Sulfur dioxide (SO ₂ , 20 ppm), balance N ₂ , 58 L	CG2-S-20-58
Ammonia (NH ₃ , 50 ppm), balance N ₂ , 34 L	CG2-A-50-34
Ammonia (NH ₃ , 50 ppm), balance N ₂ , 58 L	CG2-A-50-58
Phosphine (PH ₃ , 1 ppm), balance N ₂ , 34 L	CG2-P-1-34
Chlorine (Cl ₂ , 10 ppm), balance N ₂ , 34 L	CG2-C-10-34
Nitric oxide (NO, 50 ppm)	CG2-N-50-34
Nitrogen dioxide (NO ₂ , 10 ppm), balance N ₂ , 34 L	CG2-D-10-34
Hydrogen cyanide (HCN, 10ppm), balance N ₂ , 34 L	CG2-Z-10-34
Hydrogen cyanide (HCN, 10ppm), balance N ₂ , 58 L	CG2-Z-10-58
Ethylene oxide (ETO, 10 ppm), balance N ₂ , 58 L	CG2-E-10-58
Demand flow regulator (for use with MicroDock II or IntelliDoX)	REG-DF-1
Calibration gas regulator (0.5 LPM)	REG-0.5
Calibration hose, Tygon (1 ft. / 0.3 m, 1/8 in. I.D., 1/4 in. O.D.)	C2-HOSE1-1
Wall mount (adjustable) for 34, 58, 103 L gas cylinders, red	MK-CG2-58
Replacement test/calibration cap	BWS-TC-1

For a full list of calibration and testing equipment, please see pages 71-73. For ClO₂ and O₃, please contact Honeywell Analytics Service.

Honeywell BW™ Solo Serviceable Single-Gas Detector (continued)



Legend	Service Parts	Order Number
A	Replacement battery cover kit, non-wireless	BWS-BH-1
A	Replacement battery cover kit, wireless	BWS-BH-2
B	Replacement battery	BWS-BAT01
C	Replacement back shell, yellow	BWS-BC1
C	Replacement back shell, black	BWS-BC1B
D	Replacement PCB, see page 7	
E	Replacement buzzer sealing ring	BWS-HS-1
F	Replacement front shell	BWS-FC1
G	Replacement LCD	BWS-LCD
H	Replacement vibrator	GA-VM-2
I	Replacement sensors, see page 6	
J	Replacement 4-Series sensor sealing rings (kit of 10)	BWS-ORING-4S-K1
K	Replacement 1-Series sensor o-rings (kit of 10)	BWS-ORING-1S-K1
L	Replacement 4-Series sensor fixer kit <i>Includes one sensor sealing ring (J), one sensor fixer with metal insert (L), and four sensor fixer screws (O)</i>	BWS-4SC-1
M	Replacement 1-Series sensor fixer kit <i>Includes one sensor o-ring (K), one sensor fixer (M), and four sensor fixer screws (O)</i>	BWS-WSC-1
N	Replacement sensor screens (kit of 10)	BWS-SS
O	Replacement sensor fixer screws (kit of 25)	BWS-SCREW-K1
P	Replacement 4-Series front cover	BWS-4C-1
Q	Replacement 1-Series front cover	BWS-WC-1
R	Replacement gas type label, see page 8	

Note: Please refer to the instrument's documentation (shipped with the product or available at www.honeywellanalytics.com) for complete instructions on common service procedures. Improper servicing or maintenance may affect warranty eligibility. Honeywell assumes no liability for damages resulting from improper servicing or maintenance.

Multi-Gas Detectors

- 12 Honeywell BW™ MicroClip Series
- 18 Honeywell BW™ Clip4
- 20 GasAlertQuattro
- 26 Honeywell BW™ Max XT II
- 33 GasAlertMicro 5 Series
 - 34 GasAlertMicro 5
 - 36 GasAlertMicro 5 PID
 - 38 GasAlertMicro 5 IR
- 46 Honeywell BW™ Ultra
- 52 Sampling Equipment



Multi-Gas Detectors

- 12 Honeywell BW™ MicroClip Series
- 18 Honeywell BW™ Clip4
- 20 GasAlertQuattro
- 26 Honeywell BW™ Max XT II
- 33 GasAlertMicro 5 Series
 - 34 *GasAlertMicro 5*
 - 36 *GasAlertMicro 5 PID*
 - 38 *GasAlertMicro 5 IR*
- 46 Honeywell BW™ Ultra
- 52 Sampling Equipment





Honeywell BW™ MicroClip Series

Multi-Gas (1-4) Detector

Multi-gas made simple

The easy to wear, slim and compact Honeywell BW™ MicroClip X3 provides affordable protection from atmospheric gas hazards and extended battery life, especially in cold weather. The Honeywell BW™ MicroClip X3 features visual compliance at a glance with the flashing, green IntelliFlash™. Easy one-button operation reduces training time and lets workers focus on the job at hand. For simple, cost-effective management of your records, calibration and bump testing, choose BW's MicroDock II automatic test and calibration system and Fleet Manager II software.

Meets ACGIH 1 ppm H2S TWA recommendations.

Visit honeywellanalytics.com to download the latest Fleet Manager II update.

Standard Package Contents

- Detector complete with specified sensor(s), stainless steel alligator clip and concussion-proof housing
- Rechargeable battery
- Wall outlet charging adaptor
- Calibration/test cap and hose
- Manual
- Multi-language CD manual



Honeywell BW™ MicroClip XL
2-Year Warranty



Honeywell BW™ MicroClip X3
3-Year Warranty with Long Life O₂ Sensor

IntelliFlash

H₂S Hydrogen Sulfide

O₂ Oxygen

CO Carbon Monoxide

LEL Combustible Gases

GENERAL SPECIFICATIONS	
SIZE	4.4 x 2.4 x 1.2 in. / 11.3 x 6.0 x 3.1 cm
WEIGHT	6.7 oz. / 190 g
TEMPERATURE	-4 to +122°F / -20 to +50°C
TYPICAL BATTERY LIFE	18 hours (typical); recharges in less than 6 hours
CERTIFICATIONS AND APPROVALS	<p>CSA: Class I, Div. 1, Gr. A, B, C, D</p> <p>ATEX: CE Ex II 1 G Ex ia IIC T4 Ga</p> <p>IECEX: Ex ia IIC T4 Ga</p> <p>CE: European Conformity</p>
WARRANTY	<p>Honeywell BW™ MicroClip XL: Full two-year warranty including sensors and battery</p> <p>Honeywell BW™ MicroClip X3: Full three-year warranty including all sensors</p>

6642-4

Honeywell BW™ MicroClip Series

Multi-Gas (1–4) Detector

Honeywell BW™ MicroClip XL	Gases	Order Number	
		Yellow	Black
4-Gas Detector	%LEL, O ₂ , H ₂ S, CO	MCXL-XWHM-Y-BZ	MCXL-XWHM-B-BZ
3-Gas Detector	%LEL, O ₂ , H ₂ S	MCXL-XWHO-Y-BZ	MCXL-XWHO-B-BZ
3-Gas Detector	%LEL, O ₂ , CO	MCXL-XWOM-Y-BZ	MCXL-XWOM-B-BZ
3-Gas Detector	O ₂ , H ₂ S, CO	MCXL-XOHM-Y-BZ	MCXL-XOHM-B-BZ
2-Gas Detector	%LEL, O ₂	MCXL-XW00-Y-BZ	MCXL-XW00-B-BZ
2-Gas Detector	H ₂ S, CO	MCXL-00HM-Y-BZ	MCXL-00HM-B-BZ
2-Gas Detector	O ₂ , H ₂ S	MCXL-XOHO-Y-BZ	MCXL-XOHO-B-BZ
2-Gas Detector	O ₂ , CO	MCXL-X00M-Y-BZ	MCXL-X00M-B-BZ
1-Gas Detector	O ₂	MCXL-X000-Y-BZ	MCXL-X000-B-BZ
1-Gas Detector	H ₂ S	MCXL-00HO-Y-BZ	MCXL-00HO-B-BZ
1-Gas Detector	CO	MCXL-000M-Y-BZ	MCXL-000M-B-BZ

Honeywell BW™ MicroClip X3	Gases	Order Number	
		Yellow	Black
4-Gas Detector	%LEL, O ₂ , H ₂ S, CO	MCX3-XWHM-Y-BZ	MCX3-XWHM-B-BZ
3-Gas Detector	%LEL, O ₂ , H ₂ S	MCX3-XWHO-Y-BZ	MCX3-XWHO-B-BZ
3-Gas Detector	%LEL, O ₂ , CO	MCX3-XWOM-Y-BZ	MCX3-XWOM-B-BZ
3-Gas Detector	O ₂ , H ₂ S, CO	MCX3-XOHM-Y-BZ	MCX3-XOHM-B-BZ
2-Gas Detector	%LEL, O ₂	MCX3-XW00-Y-BZ	MCX3-XW00-B-BZ
2-Gas Detector	H ₂ S, CO	MCX3-00HM-Y-BZ	MCX3-00HM-B-BZ
2-Gas Detector	O ₂ , H ₂ S	MCX3-XOHO-Y-BZ	MCX3-XOHO-B-BZ
2-Gas Detector	O ₂ , CO	MCX3-X00M-Y-BZ	MCX3-X00M-B-BZ
1-Gas Detector	O ₂	MCX3-X000-Y-BZ	MCX3-X000-B-BZ
1-Gas Detector	H ₂ S	MCX3-00HO-Y-BZ	MCX3-00HO-B-BZ
1-Gas Detector	CO	MCX3-000M-Y-BZ	MCX3-000M-B-BZ

Note: For Honeywell BW™ MicroClip Series equipped with an unfiltered combustible (LEL) gas sensor, replace order number component 'W' with 'U' (e.g. MCXL-XUHM-Y-BZ). For a full list of available configurations, refer to the Full Product Index on pages 81-86. For more information on filtered and unfiltered LEL sensors, please see page 117.

Honeywell BW™ MicroClip Series Region Codes			
For orders outside North America, change order number component "-NA" to:			
"-EU"	Europe	"-BZ"	Brazil
"-UK"	United Kingdom	"-OR"	Other region with 3-pin UK plug
"-AU"	Australia	"-OE"	Other region with 2-pin UK plug
"-CN"	China/New Zealand		



Honeywell IntelliDoX®
Automatic instrument management system (see Honeywell IntelliDoX® section for additional information).

Honeywell BW™ MicroClip Series Multi-Gas (1-4) Detector (continued)

Confined Space Kit	Order Number
Honeywell BW™ MicroClip deluxe confined space kit - includes manual aspirator kit with Fleet Manager II software, calibration cap with 1 ft. / 0.3 m hose, 0.5 LPM regulator, sampling probe, leather carrying case, auxiliary filter and carrying case with foam insert. <i>Detector and calibration gas sold separately.</i>	MC-CK-DL
Carrying case for Honeywell BW™ MicroClip with foam and lid insert	MC-CK-CC

Carrying & Protective Accessories	Order Number
Neck strap with safety release	GA-NS-1
Short strap (6 in. / 15.2 cm)	GA-LY-1
Extension strap (4 ft. / 1.2 m)	GA-ES-1
Chest harness	GA-CH-2
Black leather and PVC carrying holster	MC2-LC-1
Auxiliary filter kit (complete with filter adaptor and 5 filters)	MC-AF-K1
Auxiliary filter adaptor (no filters)	MC-AF-1
Auxiliary filter replacement for adaptor (kit of 10)	MC-SS-AF-K1

Sampling & Testing Equipment	Order Number
Manual aspirator pump kit with probe (1 ft. / 0.3 m)	MC-AS01
Test cap and hose (1 ft. / 0.3 m) replacement	MC-TC-1

Note: For complete list of Sampling & Testing Equipment, see the Sampling Equipment section on pages 52-53.

Power Options and Spares	Order Number
Multi-unit (5) cradle charger	MC2-C01-MC5
Multi-unit (5) wall outlet power adaptor	GA-PA-1-MC5-EU*
12-24 Vdc vehicle power adaptor	GA-VPA-1
12-24 Vdc direct-wire power adaptor	GA-PA-3
Replacement wall outlet power adaptor	GA-PA-1-EU*

**For regions outside North America replace "-NA" with: "-EU" for Europe, "-UK" for United Kingdom and "-AU" for Australia/China.*

Wireless Connectivity	Order Number
Honeywell BW™ Connect wireless adapter	BW-CONNECT

For information on wireless connectivity offerings, please refer to the Connected Worker Solutions section on page 63.



Black Leather PVC Case
MC2-LC-1



Auxiliary Filter Kit
MC-AF-K1
Easily attaches in the field to protect the internal filter



Honeywell BW™ Connect
BW-CONNECT
Quickly adapt your gas detector into a wireless gas monitoring device



Manual Aspirator Pump Kit
MC-AS01
For remote sampling; complete with probe, hose, aspirator pump and adaptor cap



Test Cap
MC-TC-1



Deluxe Confined Space Kit
MC-CK-DL
Order detector and calibration gas separately.

Honeywell BW™ MicroClip Series Multi-Gas (1–4) Detector (continued)

Honeywell IntelliDoX® Docking System	Order Number
Honeywell IntelliDoX® docking station for Honeywell BW™ MicroClip XT, XL or X3	DX-MCLP
Honeywell IntelliDoX® enabler kit, NA version (North America)	
<i>Includes power supply with region-specific AC power cord, ethernet cable, inlet (purge) filter assembly, 3 ft. / 1 m calibration gas tubing, 3 ft. / 1 m purge gas tubing, 15 ft. / 4.5 m exhaust tubing, and quick connect fittings.</i>	DX-ENBL-NA

Note: One Honeywell IntelliDoX® enabler kit is required for each docking system. Each docking system can support up to 5 Honeywell IntelliDoX® modules. For a complete list of Honeywell IntelliDoX® parts, please refer to the Honeywell IntelliDoX® Docking System section on pages 55-57.

Calibration & Testing Equipment	Order Number
Quad-gas: CH4 (2.5%), O2 (18.0%), H2S (25 ppm), CO (100 ppm), balance N2, 34 L, (requires REG-DF-1 or REG-0.5)	CG-Q34-4
Quad-gas: CH4 (2.5%), O2 (18.0%), H2S (25 ppm), CO (100 ppm), balance N2, 58 L (requires REG-DF-1 or REG-0.5)	CG-Q58-4
Demand flow regulator (for use with the Honeywell IntelliDoX®)	REG-DF-1
Calibration gas regulator (0.5 LPM)	REG-0.5
Calibration hose, Tygon (1 ft. / 0.3 m, 1/8 in. I.D., 1/4 in. O.D.)	C2-HOSE1-1
Wall mount (adjustable) for 34, 58, 103 L gas cylinders, red	MK-CG2-58

For a full list of calibration and testing equipment, please see pages 71-73.

Replacement Sensor Screens	Order Number
Replacement quad sensor screen filters for Honeywell BW™ MicroClip (kit of 2)	MC2-SS
Replacement quad sensor screen filters for Honeywell BW™ MicroClip (kit of 10)	MC2-SS-K1

Replacement Sensors	Order Number
Replacement MICROpeL® 75 combustible (LEL) sensor (unfiltered)*	SR-W-MP75
Replacement MICROpeL® combustible (LEL) sensor †	SR-W-MP75C
Replacement oxygen (O ₂) sensor (for Honeywell BW™ MicroClip XL)	SR-X2V
Replacement oxygen (O ₂) sensor (for Honeywell BW™ MicroClip X3)	SR-X3P
Replacement MICROceL® hydrogen sulfide (H ₂ S) sensor	SR-H-MC
Replacement MICROceL® carbon monoxide (CO) sensor	SR-M-MC
Dummy sensor for combustible (LEL) sensor location	SR-W-MC-DUM
Dummy sensor for the oxygen sensor location	SR-DUMM1
Dummy sensor for toxic sensor locations	SR-TOX-MC-DUM

*Advisory: Detectors are equipped on a standard basis with SR-W-MP75C combustible sensors. This sensor includes a heavy duty silicone filter that make it ideal for use in environments that have known sources of silicone or vapors containing silicon. The SR-W-MP75C silicone filter equipped sensor should not be used when monitoring diesel, kerosene, jet fuel or other heavy hydrocarbon vapors with flashpoint temperatures above 38°C (100°F). For more information on filtered and unfiltered LEL sensors, please see page 117.

Datalogging Accessories	Order Number
IR connectivity kit with Fleet Manager II software	GA-USB1-IR



Vehicle Power Adaptor
12-24 VDC
GA-VPA-1



Multi-Unit Cradle Charger
MC2-C01-MC5
Simultaneously charges five detectors

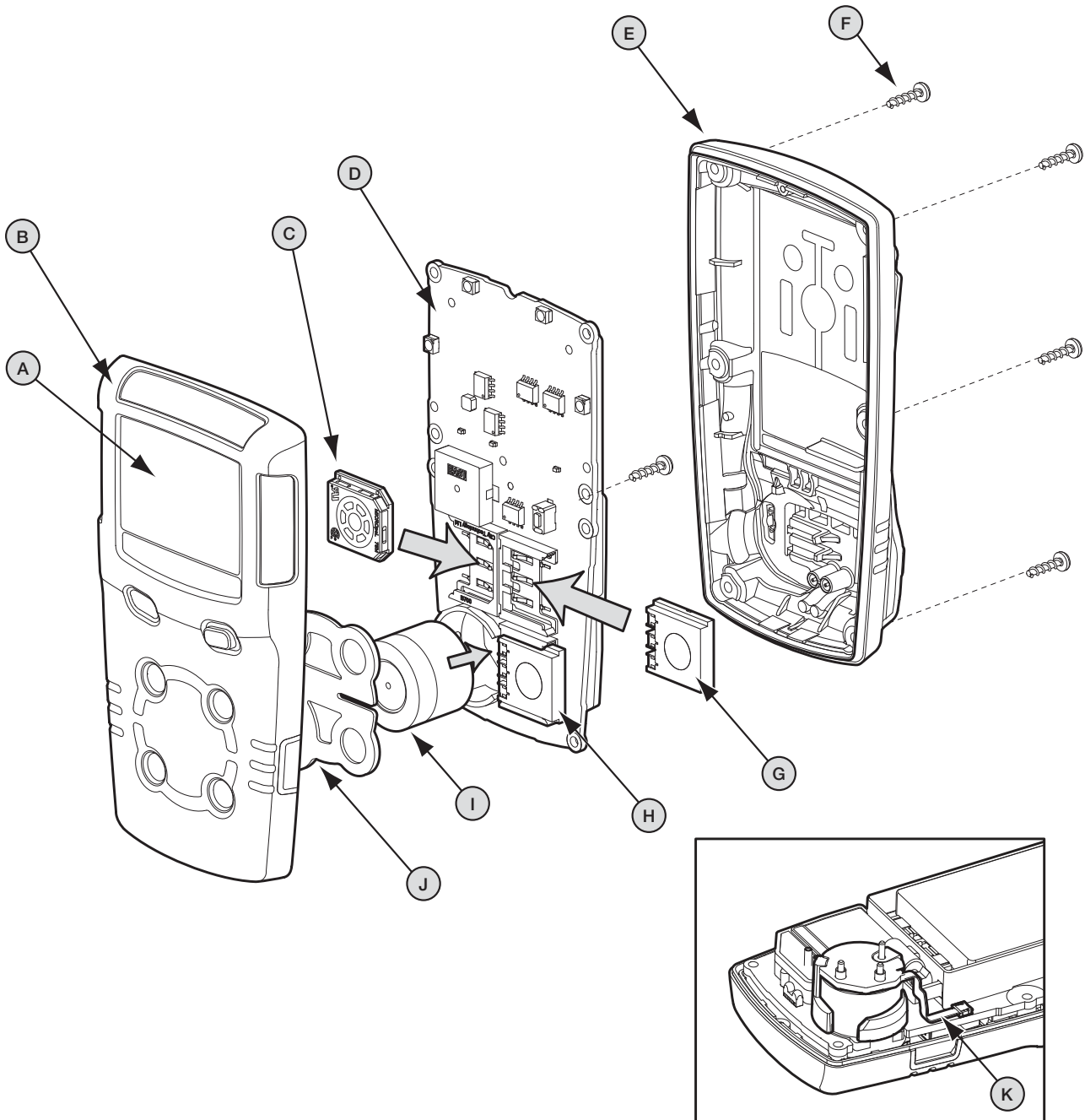


Multi-Unit Power Adaptor
GA-PA-1-MC5-EU*
Simultaneously charges five detectors



IR Connectivity Kit
GA-USB1-IR
Use for data download and instrument set-up options

Honeywell BW™ MicroClip Series Multi-Gas (1-4) Detector (continued)



Note: Please refer to the instrument's documentation (shipped with the product or available at www.honeywellanalytics.com) for complete instructions on common service procedures. Improper servicing or maintenance may affect warranty eligibility. Honeywell assumes no liability for damages resulting from improper servicing or maintenance.

Honeywell BW™ MicroClip Series Multi-Gas (1–4) Detector (continued)

Legend	Service Parts	Order Number
A	Replacement LCD kit for Honeywell BW™ MicroClip	MC-LCD-K1
B	Replacement front enclosure (yellow) for Honeywell BW™ MicroClip XL	MCXL-FC1
	Replacement front enclosure (black) for Honeywell BW™ MicroClip XL	MCXL-FC1B
	Replacement front enclosure (yellow) for Honeywell BW™ MicroClip X3	MCX3-FC1
	Replacement front enclosure (black) for Honeywell BW™ MicroClip X3	MCX3-FC1B
C	Replacement combustible sensor, see page 15	
D	Replacement main PCB with battery and screws for Honeywell BW™ MicroClip XL	MCXL-MPCB1
	Replacement main PCB with battery and screws for Honeywell BW™ MicroClip X3	MCX3-MPCB1
E	Replacement back enclosure (yellow) with screws and alligator clip for Honeywell BW™ MicroClip XL	MCXL-BC1
	Replacement back enclosure (black) with screws and alligator clip for Honeywell BW™ MicroClip XL	MCXL-BC1B
	Replacement back enclosure (yellow) with screws and alligator clip for Honeywell BW™ MicroClip X3	MCX3-BC1
	Replacement back enclosure (black) with screws and alligator clip for Honeywell BW™ MicroClip X3	MCX3-BC1B
F	Replacement screws (kit of 20)	MC-SCREW-K1
G, H, I	Replacement toxic and oxygen sensors, see page 15	
J	Replacement sensor screen, see page 15	
	Replacement vibration motor	GA-VM-2
K	Replacement flex PCB for Honeywell BW™ MicroClip XL	MC2-FPCB1
	Replacement flex PCB for Honeywell BW™ MicroClip X3	MCX3-FPCB1

How to Replace a Sensor

1. With detector OFF, use No. 1 Phillips screwdriver to remove 6 screws from back enclosure (E)
2. Lift back enclosure (E) straight up
3. Use No. 1 Phillips screwdriver to remove 2 screws from back of PCB (D)
4. Lift PCB (D) together with battery and sensors (C, G, H, I) straight up
5. Remove sensors (C, G, or H) by sliding out or sensor (I) by pulling straight up from PCB (D)
6. Insert new sensor (C, G, H, I) into PCB (D)
7. Replace PCB (D) and 2 screws and hand-tighten until firm
8. Replace back enclosure (E)
9. Replace 6 screws in back enclosure (E) and hand-tighten until firm

How to Replace the Sensor Screen

1. With detector OFF, use No. 1 Phillips screwdriver to remove 6 screws from back enclosure (E)
2. Lift back enclosure (E) straight up
3. Use No. 1 Phillips screwdriver to remove 2 screws from back of PCB (D)
4. Lift PCB (D) together with battery and sensors (C, G, H, I) straight up
5. Remove sensor screen (J) from front enclosure (B)
6. Insert new sensor screen (J) into front enclosure (B)
7. Replace PCB (D) and 2 screws and hand-tighten until firm
8. Replace back enclosure (E)
9. Replace 6 screws in back enclosure (E) and hand-tighten until firm

Note: Please refer to the instrument's documentation (shipped with the product or available at www.honeywellanalytics.com) for complete instructions on common service procedures. Improper servicing or maintenance may affect warranty eligibility. Honeywell assumes no liability for damages resulting from improper servicing or maintenance.



Honeywell BW™ Clip4

Multi-Gas (4) Detector

The simplicity of “always on.” The safety and quality of Honeywell.

When you’ve got your hands full in the field, you need no-hassle gas detection you can count on: the Honeywell BW™ Clip4 four-gas detector. Wearable, easy multi-gas detection that’s always on. No charging, no battery or sensor replacements, no hassle. Simpler, low cost of ownership guaranteed by the Honeywell commitment to quality, and backed by a full ecosystem of supporting technologies. When you clip on the Honeywell BW™ Clip4 you know – it’s on.

Always On: 2-Year Continuous Runtime

Once activated, you can rest assured that the Honeywell BW™ Clip4 is always on. Two years of non-stop runtime with no charging or battery swap outs.

Standard Package Contents

- Detector complete with sensors, stainless steel alligator clip and concussion-proof housing
- Calibration/test cap and hose
- Quick start guide

H₂S Hydrogen Sulfide

O₂ Oxygen

CO Carbon Monoxide

LEL Combustible Gases

GENERAL SPECIFICATIONS	
SIZE	4.7 x 2.7 x 1.3 in. / 12.0 x 6.8 x 3.2 cm
WEIGHT	8.2 oz. / 233 g
OPERATING TEMPERATURE	-4 to +131°F / -20 to +50°C
INGRESS PROTECTION	IP68
TYPICAL BATTERY LIFE	Two years, continuous operation
CERTIFICATIONS AND APPROVALS	<p>UL : Class I, Div 1, Group A, B, C, D Class I, Zone 0, Group IIC</p> <p>ATEX: II 1G Ex ia IIC T4 Ga</p> <p>IECEX: Ex ia IIC T4 Ga</p> <p>CE: Conforms to all applicable European directives.</p> <p>For additional certifications, please review the manual or consult Honeywell Analytics.</p>
WARRANTY	Full two-year warranty including all sensors

111716-O-AM

Honeywell BW™ Clip4

Multi-Gas (1–4) Detector

Honeywell BW™ Clip4	Order Number	
	Black	Yellow
4-gas detector (O ₂ , LEL, H ₂ S, CO), Inmetro version	BWC4-B-B	BWC4-Y-B

Carrying Accessories	Order Number
Neck strap with safety release	GA-NS-1
Short strap (6 in. / 15.2 cm)	GA-LY-1
Extension strap (4 ft. / 1.2 m)	GA-ES-1
Chest harness	GA-CH-2

Sampling Equipment	Order Number
Manual aspirator pump kit	D4-AS01

Note: For complete list of Sampling & Testing Equipment, see the Sampling Equipment section on pages 52-53.

Honeywell IntelliDoX® Docking System	Order Number
Honeywell IntelliDoX® docking station for Honeywell BW™ Clip4	DX-BWC4
Honeywell IntelliDoX® enabler kit, NA version (North America) Includes power supply with region-specific AC power cord, ethernet cable, inlet (purge) filter assembly, 3 ft. / 1 m calibration gas tubing, 3 ft. / 1 m purge gas tubing, 15 ft. / 4.5 m exhaust tubing, and quick connect fittings.	DX-ENBL-NA

Note: One Honeywell IntelliDoX® enabler kit is required for each docking system. Each docking system can support up to 5 Honeywell IntelliDoX® modules. For a complete list of Honeywell IntelliDoX® parts, please refer to the Honeywell IntelliDoX® Docking System section on pages 55-57.

Calibration & Testing Equipment	Order Number
Quad-gas: CH ₄ (2.5%), O ₂ (18.0%), H ₂ S (25 ppm), CO (100 ppm), 34 L, balance N ₂ (requires REG-DF-1 or REG-0.5)	CG-Q34-4
Quad-gas: CH ₄ (2.5%), O ₂ (18.0%), H ₂ S (25 ppm), CO (100 ppm), 58 L, balance N ₂ (requires REG-DF-1 or REG-0.5)	CG-Q58-4
Demand flow regulator (for use with MicroDock II or Honeywell IntelliDoX®)	REG-DF-1
Calibration gas regulator (0.5 LPM)	REG-0.5
Calibration hose, Tygon (1 ft. / 0.3 m, 1/8 in. I.D., 1/4 in. O.D.)	C2-HOSE1-1
Wall mount (adjustable) for 34, 58, 103 L gas cylinders, red	MK-CG2-58

For a full list of calibration and testing equipment, please see pages 71-73.

Spares & Replacement Parts	Order Number
Replacement sensor screens for Honeywell BW™ Clip4 (kit of 2)	BWC4-SS
Replacement sensor screens for Honeywell BW™ Clip4 (kit of 10)	BWC4-SS-K1
Replacement test cap for Honeywell BW™ Clip4	BWC4-TC
Replacement alligator clip for Honeywell BW™ Clip4	BWC4-AG
Replacement screw kit for Honeywell BW™ Clip4 (kit of 30)	BWC4-SCREW



Short Strap
GA-LY-1



Neck Strap
GA-NS-1



Test Cap
BWC4-TC



Honeywell IntelliDoX®
Automatic instrument management system (see Honeywell IntelliDoX® section for additional information).



Sensor Screens
BWC4-SS / BWC4-SS-K1
Kit of 2 or 10



GasAlertQuattro

Multi-Gas (1-4) Detector

Visual auditing, easy compliance

Rugged and reliable, the GasAlertQuattro four-gas detector combines a comprehensive range of features with simple one-button operation. With flexible power options, the GasAlertQuattro is always ready. The graphic LCD displays easy to identify icons that indicate operational information, such as bump test and calibration status for simplified onsite auditing. IntelliFlash provides continuous visual confirmation of detector operation and compliance. Suited to a wide range of industrial applications including confined space entry, the GasAlertQuattro is fully compatible with BW's MicroDock II automatic test and calibration system.

Meets ACGIH 1 ppm H₂S TWA recommendations.

Visit honeywellanalytics.com to download the latest Fleet Manager II update.

Standard Package Contents

- GasAlertQuattro
- Rechargeable battery pack or alkaline pack with three AA batteries
- Charger wall plug (with rechargeable battery option)
- Calibration cap and hose
- Reversible screwdriver
- Manual, materials booklet and technical reference guide

IntelliFlash

H₂S Hydrogen Sulfide

O₂ Oxygen

CO Carbon Monoxide

LEL Combustible Gases

GENERAL SPECIFICATIONS

SIZE	5.1 x 3.2 x 1.9 in. / 13.0 x 8.1 x 4.7 cm
WEIGHT	- 11.15 oz. / 316 g (with rechargeable battery pack) - 11.92 oz. / 338 g (with alkaline battery pack)
TYPICAL BATTERY LIFE	AA alkaline: 14 hours (+68 to 122°F / +20 to 50°C) Rechargeable: 20 hours (+68 to 122°F / +20 to 50°C) 18 hours (-4 to +32°F / -20 to 0°C)
CERTIFICATIONS AND APPROVALS	UL: Class I, Div. 1, Gr. A, B, C, D ATEX: CE Ex II 1 G Ga Ex ia IIC T4 IECEx: Ga Ex ia IIC T4 CE: Conforms to all applicable European directives. INMETRO: BR-Ex ia IIC T4
WARRANTY	Full two year warranty including all sensors.

6432-3

GasAlertQuattro

Multi-Gas (1–4) Detector

GasAlertQuattro	Gases	Alkaline Version*	Rechargeable Version*
4-Gas Detector	%LEL, O ₂ , H ₂ S, CO	QT-XWHM-A-Y-OE	QT-XWHM-R-Y-OE
3-Gas Detector	%LEL, O ₂ , H ₂ S	QT-XWHO-A-Y-OE	QT-XWHO-R-Y-OE
3-Gas Detector	%LEL, O ₂ , CO	QT-XWOM-A-Y-OE	QT-XWOM-R-Y-OE
3-Gas Detector	O ₂ , H ₂ S, CO	QT-XOHM-A-Y-OE	QT-XOHM-R-Y-OE
2-Gas Detector	%LEL, O ₂	QT-XW00-A-Y-OE	QT-XW00-R-Y-OE
2-Gas Detector	H ₂ S, CO	QT-00HM-A-Y-OE	QT-00HM-R-Y-OE
2-Gas Detector	O ₂ , H ₂ S	QT-X0H0-A-Y-OE	QT-X0H0-R-Y-OE
2-Gas Detector	O ₂ , CO	QT-X00M-A-Y-OE	QT-X00M-R-Y-OE
1-Gas Detector	O ₂	QT-X000-A-Y-OE	QT-X000-R-Y-OE
1-Gas Detector	H ₂ S	QT-00H0-A-Y-OE	QT-00H0-R-Y-OE
1-Gas Detector	CO	QT-000M-A-Y-OE	QT-000M-R-Y-OE

Note: For GasAlertQuattro equipped with an unfiltered combustible (LEL) gas sensor, replace order number component 'W' with 'U' (e.g. QT-XUHM-A-Y-OE). For a full list of available configurations, refer to the Full Product Index on pages 87-92. For more information on filtered and unfiltered LEL sensors, please see page 117.

*Black housing available with all GasAlertQuattro configurations. To order a unit with black housing replace "-Y-" with "-B-".

GasAlertQuattro Region Codes

For orders outside North America, change order number component "-NA" to:

"-EU"	Europe	"-CN"	China/New Zealand
"-UK"	United Kingdom	"-OR"	Other region with 3-pin UK plug
"-AU"	Australia	"-OE"	Other region with 2-pin UK plug

GasAlertQuattro Multi-Gas (1–4) Detector (continued)

Confined Space Kits	Order Number
GasAlertQuattro Premium Confined Space Kit - includes GasAlertQuattro detector (% LEL, O ₂ , H ₂ S, CO) and standard package contents, plus rechargeable battery pack and wall charging adaptor, alkaline battery pack and AA batteries, manual aspirator kit, IR Connectivity Kit with Fleet Manager II software, sampling probe, calibration cap with 10 ft. / 3 m hose, 34 L calibration gas cylinder (2.5% CH ₄ , 1.8% O ₂ , 25 ppm H ₂ S, 100 ppm CO), 0.5 LPM regulator and carrying case with foam insert.	QT-XWHM-R-Y-OE-CS
GasAlertQuattro Deluxe Confined Space Kit - includes manual aspirator kit, IR Connectivity Kit with Fleet Manager II software, sampling probe, carrying holster, auxiliary filter kit, calibration cap with 1 ft. / 0.3 m hose, 0.5 LPM regulator and carrying case with foam insert. <i>Detector and calibration gas sold separately.</i>	QT-CK-DL
Carrying case for GasAlertQuattro with foam insert	QT-CK-CC
Carrying & Protective Accessories	Order Number
Concussion-proof boot	GA-BQT
Carrying holster	GA-HQT
Auxiliary filter (LCD protector) - includes five filters	QT-AF-K1
Replacement auxiliary filter for use with QT-AF-K1 (kit of 10)	QT-SS-AF-K1
Vehicle attachment (compatible with single T-pattern or 4-hole AMPS mounting system)	QT-VMB-1
Neck strap with safety release	GA-NS-1
Short strap (6 in. / 15.2 cm)	GA-LY-1
Extension strap (4 ft. / 1.2 m)	GA-ES-1
Chest harness	GA-CH-2
Sampling & Testing Equipment	Order Number
Manual aspirator pump	QT-AS01
Sample probe with hydrophobic and particulate filters	GA-PROB1-1
Filter and gasket replacements for sample probe (GA-PROB1-1)	GA-PROB-FIL-K1
Replacement particulate filter for GA-PROB1-1 (kit of 5)	PROBE-FIL-1
Metallic sintered particulate filter	GA-MFILTER
Sampling float	GA-FLOAT
Replacement test cap and hose	QT-TC-1

Note: For complete list of Sampling & Testing Equipment, see the Sampling Equipment section on pages 52-53.



Confined Space Kit
QT-XWHM-R-Y-NA-CS
Order pump separately.



Concussion-Proof Boot
GA-BQT



Carrying Holster
GA-HQT



Auxiliary filter
QT-AF-K1
Protects LCD and includes five filters.

GasAlertQuattro Multi-Gas (1-4) Detector (continued)

Power Accessories	Order Number
Rechargeable battery pack, yellow	QT-BAT-R01
Rechargeable battery pack, black	QT-BAT-R01B
Alkaline battery pack with batteries, yellow	QT-BAT-A01
Alkaline battery pack with batteries, black	QT-BAT-A01B
Multi-unit (5) cradle charger	QT-C01-MC5
Multi-unit (5) wall outlet power adaptor	GA-PA-1-MC5-EU*
12-24 Vdc vehicle power adaptor	GA-VPA-1
12-24 Vdc direct-wire power adaptor	GA-PA-3
Replacement wall outlet power adaptor	GA-PA-1-EU*

*For regions outside North America replace "-NA" with: "-EU" for Europe, "-UK" for United Kingdom and "-AU" for Australia/China

Datalogging Accessories	Order Number
IR connectivity kit with Fleet Manager II software	GA-USB1-IR



Rechargeable / Alkaline Battery Packs
QT-BAT-R01 / QT-BAT-A01



Vehicle Power Adaptor, 12-24 Vdc
GA-VPA-1



Multi-Unit Cradle Charger
QT-C01-MC5
Simultaneously charge five detectors and/or batteries



Direct-Wire Power Adaptor, 12-24 Vdc
GA-PA-3
Used for emergency vehicles and other applications



Multi-Unit Power Adaptor
GA-PA-1-MC5-EU*
Simultaneously charge five detectors and/or batteries



IR Connectivity Kit
GA-USB1-IR
Use for data download and instrument set-up options



Vehicle attachment
QT-VMB-1
Compatible with single T-pattern or 4-hole AMPS mounting system (not included)

GasAlertQuattro Multi-Gas (1-4) Detector (continued)

MicroDock II	Order Number
MicroDock II Automated Calibration and Testing Station:	
- Base station and GasAlertQuattro docking module with charging cable	DOCK2-2-1C1N-00-G
- Base station and GasAlertQuattro docking module without charging cable	DOCK2-2-1N-00-G
- GasAlertQuattro docking module with charging cable	DOCK2-0-1C1N-00-G
- GasAlertQuattro docking module without charging cable	DOCK2-0-1N-00-G

Replacement Sensor Screens	Order Number
Replacement quad sensor screen (kit of 2)	QT-SS
Replacement quad sensor screen (kit of 10)	QT-SS-K1

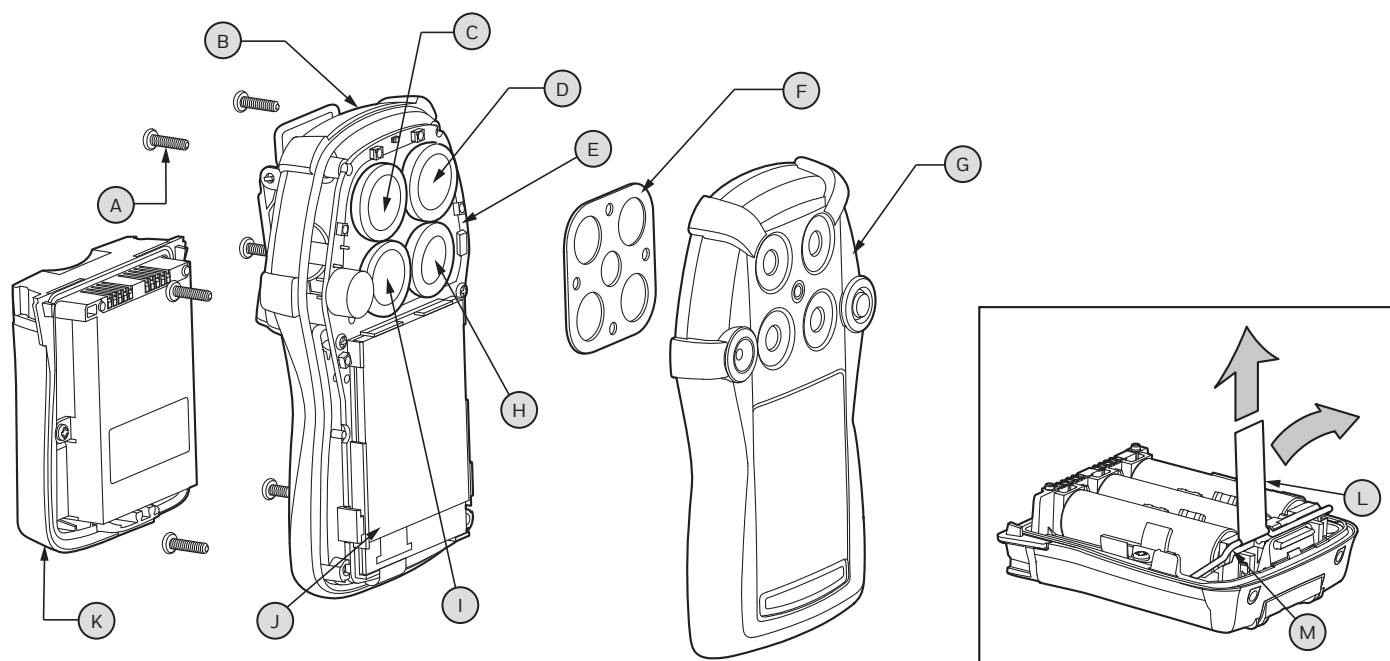
Replacement Sensors	Order Number
Replacement combustible (%LEL) sensor (unfiltered) [†]	SR-W04-75
Replacement combustible (%LEL) sensor [†]	SR-W04-75C
Replacement oxygen (O ₂) sensor	SR-X2V
Replacement hydrogen sulfide (H ₂ S) sensor	SR-H04-SC
Replacement carbon monoxide (CO) sensor	SR-M04-SC
Dummy sensor for one oxygen (O ₂), hydrogen sulfide (H ₂ S) or carbon monoxide (CO) location	SR-DUMM1
Dummy sensor for the combustible (LEL) location	SR-DUMM2

[†]Advisory: Detectors are equipped on a standard basis with SR-W04-75C combustible sensors. This sensor includes a heavy duty silicone filter that make it ideal for use in environments that have known sources of silicone or vapors containing silicon. The SR-W04-75C silicone filter equipped sensor should not be used when monitoring diesel, kerosene, jet fuel or other heavy hydrocarbon vapors with flashpoint temperatures above 38°C (100°F). For more information on filtered and unfiltered LEL sensors, please see page 117.

Calibration & Testing Equipment	Order Number
Quad-gas: CH ₄ (2.5%), O ₂ (18.0%), H ₂ S (25 ppm), CO (100 ppm), 34 L, balance N ₂ (requires REG-DF-1 or REG-0.5)	CG-Q34-4
Quad-gas: CH ₄ (2.5%), O ₂ (18.0%), H ₂ S (25 ppm), CO (100 ppm), 58 L, balance N ₂ (requires REG-DF-1 or REG-0.5)	CG-Q58-4
Demand flow regulator (for use with MicroDock II)	REG-DF-1
Calibration gas regulator (0.5 LPM)	REG-0.5
Calibration hose, Tygon (1 ft. / 0.3 m, 1/8 in. I.D., 1/4 in. O.D.)	C2-HOSE1-1
Wall mount (adjustable) for 34, 58, 103 L gas cylinders, red	MK-CG2-58

For a full list of calibration and testing equipment, please see pages 71-73.

GasAlertQuattro Multi-Gas (1-4) Detector (continued)



Legend	Service Parts	Order Number
A	Replacement screw kit (kit of 40 screws)	QT-SCREW-K1
B	Replacement back enclosure (yellow) with screws	QT-BC1
	Replacement back enclosure (black) with screws	QT-BC1B
C, D	Replacement sensors, see page 24	
E	Replacement main PCB and sensor PCB kit	QT-PCB-K1
F	Replacement sensor screens, see page 24	
G	Replacement front enclosure (yellow)	QT-FC1
	Replacement front enclosure (black)	QT-FC1B
H, I	Replacement sensors, see page 24	
J	Replacement LCD kit	QT-LCD-K1
K	Replacement battery pack, see page 23	
	Replacement vibration motor	GA-VM-2
	Replacement alligator-style clip (stainless steel with screw)	XT-AG-1

How to Replace a Sensor

1. With detector OFF, remove battery pack from back of instrument
2. Use No. 1 Phillips screwdriver to remove 6 screws from back enclosure (B)
3. Lift front enclosure (G) straight up
4. Remove sensor (C, D, H, I) from PCB (C) by pulling straight up
5. Insert new sensor (C, D, H, I) into socket
6. Replace front enclosure (G)
7. Replace 6 screws in back enclosure (B) and hand-tighten until firm

How to Replace the Sensor Screen

1. With detector OFF, remove battery pack from back of instrument
2. Use No. 1 Phillips screwdriver to remove 6 screws from back enclosure (B)
3. Lift front enclosure (G) straight up
4. Remove sensor screen (F) from front enclosure (G) by pulling straight up
5. Insert new sensor screen (F) into front enclosure (G)
6. Replace front enclosure (G)
7. Replace 6 screws in back enclosure (B) and hand-tighten until firm

How to Replace the Alkaline Batteries in the Battery Pack

1. With detector OFF, remove battery pack from back of instrument
2. On battery pack, pull on tab (L) until ejector bar (M) releases from the ejector bar holder
3. Pull ejector bar (M) straight up (on side opposite of tab) until batteries dislocate from battery pack
4. Insert new batteries, one by one, inserting positive (+) end first
5. Important: push the ejector bar (M) into the lever holder until fully secured*
6. Insert battery pack into detector

*Failure to perform step 5 properly could result in damage to the batteries, battery pack and/or detector

Note: Please refer to the instrument's documentation (shipped with the product or available at www.honeywellanalytics.com) for complete instructions on common service procedures. Improper servicing or maintenance may affect warranty eligibility. Honeywell assumes no liability for damages resulting from improper servicing or maintenance.



IntelliFlash

H₂S Hydrogen Sulfide

O₂ Oxygen

CO Carbon Monoxide

LEL Combustible Gases

Honeywell BW™ Max XT II

Multi-Gas (1-4) Detector

Go the distance, and save

Honeywell BW™ Max XT II is the smart, simple, economical way to compliance. Workers feel safe and incidents are minimized so everyone will be able to do more. That means savings realized from business continuity and productivity.

Simple operation, with SmartSample pump.

Honeywell BW™ Max XT II reliably monitors up to four hazards and combines straightforward one-button operation, a robust, motorized pump for remote sampling, and now features IntelliFlash, the flashing LED compliance indicator that tells you at-a-glance your gas detector is functioning correctly. The Honeywell BW™ Max XT II is fully compatible with MicroDock II automated test and calibration system.

Standard Package Contents

- Detector complete with specified sensor(s), stainless steel alligator clip and concussion-proof housing
- Rechargeable battery
- Wall outlet charging adaptor
- 3 ft. / 1 m calibration hose with quick connect
- 10 ft. / 3 m sampling hose with particulate filter and quick connect
- Reversible screwdriver
- Kit of spare pump filters (5 particulate and 5 hydrophobic)
- Manual
- Multi-language CD manual

GENERAL SPECIFICATIONS

SIZE	5.1 x 2.8 x 2.0 in. / 13.1 x 7.0 x 5.2 cm
WEIGHT	11.5 oz. / 328 g
TYPICAL BATTERY LIFE	13 hours @ 32°F / 0°C 8 hours @ -4°F / -20°C Recharges in 6 hours

CERTIFICATIONS AND APPROVALS

UL	Class I, Div. 1, Gr. A, B, C, D
IECEX:	Ga Ex ia IIC T4
ATEX:	CE Ex II 1 G Ga Ex ia IIC T4
INMETRO:	BR-Ex ia IIC T4

WARRANTY

Full two year warranty including all sensors

6570-0

Honeywell BW™ Max XT II

Multi-Gas (1–4) Detector

Honeywell BW™ Max XT II	Gases	Order Number	
		Yellow	Black
4-Gas Detector	%LEL, O ₂ , H ₂ S, CO	XT-XWHM-Y-BZ	XT-XWHM-B-BZ
3-Gas Detector	%LEL, O ₂ , H ₂ S	XT-XWHO-Y-BZ	XT-XWHO-B-BZ
3-Gas Detector	%LEL, O ₂ , CO	XT-XWOM-Y-BZ	XT-XWOM-B-BZ
3-Gas Detector	O ₂ , H ₂ S, CO	XT-XOHM-Y-BZ	XT-XOHM-B-BZ
2-Gas Detector	%LEL, O ₂	XT-XW00-Y-BZ	XT-XW00-B-BZ
2-Gas Detector	H ₂ S, CO	XT-00HM-Y-BZ	XT-00HM-B-BZ
2-Gas Detector	O ₂ , H ₂ S	XT-X0H0-Y-BZ	XT-X0H0-B-BZ
2-Gas Detector	O ₂ , CO	XT-X00M-Y-BZ	XT-X00M-B-BZ
1-Gas Detector	O ₂	XT-X000-Y-BZ	XT-X000-B-BZ
1-Gas Detector	H ₂ S	XT-00H0-Y-BZ	XT-00H0-B-BZ
1-Gas Detector	CO	XT-000M-Y-BZ	XT-000M-B-BZ

Note: For Honeywell BW™ Max XT II equipped with an unfiltered combustible (LEL) gas sensor, replace order number component 'W' with 'U' (e.g. XT-XUHM-Y-BZ). For a full list of available configurations, refer to the Full Product Index on pages 93-96. For more information on filtered and unfiltered LEL sensors, please see page 117.

Honeywell BW™ Max XT II Region Codes			
For orders outside North America, change order number component "-NA" to:			
"-EU"	Europe	"-BZ"	Brazil
"-UK"	United Kingdom	"-OR"	Other region with 3-pin UK plug
"-AU"	Australia	"-OE"	Other region with 2-pin UK plug
"-CN"	China/New Zealand		



MicroDock II

Automatic test and calibration station
(see MicroDock II section for additional information)

Honeywell BW™ Max XT II Multi-Gas (1-4) Detector (continued)

Confined Space Kits	Order Number
Honeywell BW™ Max XT II Premium Confined Space Kit - includes Honeywell BW™ Max XT II detector (% LEL, O ₂ , H ₂ S, CO) and standard package contents, plus wall charging adaptor, IR Connectivity Kit with Fleet Manager II software, sampling probe, hydrophobic (5) and particulate (5) pump filters, 10 ft. / 3 m sampling hose, 34 L calibration gas cylinder (2.5% CH ₄ , 18% O ₂ , 25 ppm H ₂ S, 100 ppm CO), 0.5 LPM regulator and carrying case with foam insert.	XT-XWHM-Y-BZ-CS
Honeywell BW™ Max XT II Deluxe Confined Space Kit - includes IR Connectivity Kit with Fleet Manager II software, sampling probe, 10 ft. / 3 m sampling hose, 3 ft. / 1 m hose, concussion-proof boot, carrying holster, 0.5 LPM regulator and carrying case with foam insert. <i>Detector and calibration gas sold separately.</i>	XT-CK-DL
Carrying case for Honeywell BW™ Max XT II with foam insert <i>Detector and calibration gas sold separately.</i>	XT-CK-CC
Carrying & Protective Accessories	Order Number
Concussion-proof boot with stainless steel alligator-style clip	GA-BXT
Carrying holster for Honeywell BW™ Max XT II and sampling hose	GA-HXT
Neck strap with safety release	GA-NS-1
Extension strap (4 ft. / 1.2 m)	GA-ES-1
Short strap (6 in. / 15.2 cm)	GA-LY-1
Chest harness	GA-CH-2
Sampling/Testing Equipment and Spares	Order Number
Auxiliary pump filter (kit of 5)	M5-AF-K2
Auxiliary pump filter (kit of 100)	M5-AF-K2-100
Hydrophobic pump filter (thin) replacement (kit of 5)	XT-RF-H5
Hydrophobic pump filter (thin) replacement (kit of 50)	XT-RF-H50
Hydrophobic pump filter (thin) replacement (kit of 100)	XT-RF-H100
Particulate pump filter (thick) replacement (kit of 5)	GA-PFMAX
Particulate pump filter (thick) replacement (kit of 50)	GA-PFMAX-50
Particulate pump filter (thick) replacement (kit of 100)	GA-PFMAX-100
Quick connect fitting spares for hoses (kit of 2)	M0931K

Note: For complete list of Sampling & Testing Equipment, see the Sampling Equipment section on pages 52-53.



Multi-Unit Cradle Charger
XT-CO1-MC5
Simultaneously charge five detectors



Multi-Unit Power Adaptor
GA-PA-1-MC5-EU
Simultaneously charge five detectors



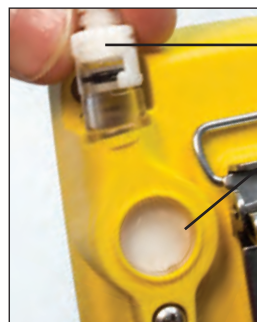
Confined Space Kit
XT-XWHM-Y-BZ-CS



Honeywell BW™ Connect BW-CONNECT
Quickly adapt your gas detector into a wireless gas monitoring device



Carrying Holster
GA-HXT
Sampling Probe
GA-PROB1-1



Quick Connect Fitting
M0931K
Quick connect fitting for hoses, kit of two
Hydrophobic Pump Filter (Thin)
XT-RF-H5 / XT-RF-H50 / XT-RF-H100
Particulate Pump Filter (Thick)
GA-PFMAX / GA-PFMAX-50 / GA-PFMAX-100
Both are available in kits of 5, 50 or 100

Honeywell BW™ Max XT II Multi-Gas (1–4) Detector (continued)

Power Accessories	Order Number
Multi-unit (5) cradle charger	XT-C01-MC5
Multi-unit (5) wall outlet power adaptor	GA-PA-1-MC5-EU*
12-24 Vdc vehicle power adaptor	GA-VPA-1
12-24 Vdc direct-wire power adaptor	GA-PA-3
Replacement wall outlet power adaptor	GA-PA-1-EU*

*For regions outside North America replace “-NA” with: “-EU” for Europe, “-UK” for United Kingdom and “-AU” for Australia/China.

Wireless Connectivity	Order Number
Honeywell BW™ Connect wireless adapter	BW-CONNECT

For information on wireless connectivity offerings, please refer to the Connected Worker Solutions section on page 63.

Datalogging Accessories	Order Number
IR connectivity kit with Fleet Manager II software	GA-USB1-IR

MicroDock II	Order Number
MicroDock II Automated Calibration and Testing Station:	
- base station and Honeywell BW™ Max XT II docking module with charging cable	DOCK2-2-1C1M-00-G
- base station and Honeywell BW™ Max XT II docking module without charging cable	DOCK2-2-1M-00-G
- Honeywell BW™ Max XT II docking module with charging cable	DOCK2-0-1C1M-00-G
- Honeywell BW™ Max XT II docking module without charging cable	DOCK2-0-1M-00-G

Honeywell BW™ Max XT II modules are backwards compatible with legacy Honeywell BW™ Max XT models.
For complete MicroDock II system configuration information, see MicroDock II section.

Replacement Sensor Screens	Order Number
Replacement quad sensor screens for Honeywell BW™ Max XT II (kit of 2)	XT-SS-1
Replacement quad sensor screens For Honeywell BW™ Max XT II (kit of 10)	XT-SS-K2

Replacement Sensors	Order Number
Replacement MICROpeL® combustible (LEL) sensor (unfiltered)†	SR-W-MP75
Replacement MICROpeL® combustible (LEL) sensor†	SR-W-MP75C
Replacement oxygen (O ₂) sensor	SR-X2V
Replacement MICROceL® hydrogen sulfide (H ₂ S) sensor	SR-H-MC
Replacement MICROceL® carbon monoxide (CO) sensor	SR-M-MC
Dummy sensor for combustible (LEL) sensor location	SR-W-MC-DUM
Dummy sensor for oxygen (O ₂) sensor location	SR-DUMM1
Dummy sensor for toxic sensor locations	SR-TOX-MC-DUM

†Advisory: Detectors are equipped on a standard basis with SR-W-MP75C combustible sensors. This sensor includes a heavy duty silicone filter that make it ideal for use in environments that have known sources of silicone or vapors containing silicon. The SR-W-MP75C silicone filter equipped sensor should not be used when monitoring diesel, kerosene, jet fuel or other heavy hydrocarbon vapors with flashpoint temperatures above 38°C (100°F). For more information on filtered and unfiltered LEL sensors, please see page 117.

Calibration & Testing Equipment	Order Number
Quad-gas: CH ₄ (2.5%), O ₂ (18.0%), H ₂ S (25 ppm), CO (100 ppm), 34 L, balance N ₂ (requires REG-DF-1 or REG-0.5)	CG-Q34-4
Quad-gas: CH ₄ (2.5%), O ₂ (18.0%), H ₂ S (25 ppm), CO (100 ppm), 58 L, balance N ₂ (requires REG-DF-1 or REG-0.5)	CG-Q58-4
Demand flow regulator	REG-DF-1
Calibration hose, Tygon (1 ft. / 0.3 m, 1/8 in. I.D., 1/4 in. O.D.)	C2-HOSE1-1
Wall mount (adjustable) for 34, 58, 103 L gas cylinders, red	MK-CG2-58

For a full list of calibration and testing equipment, please see pages 71-73.



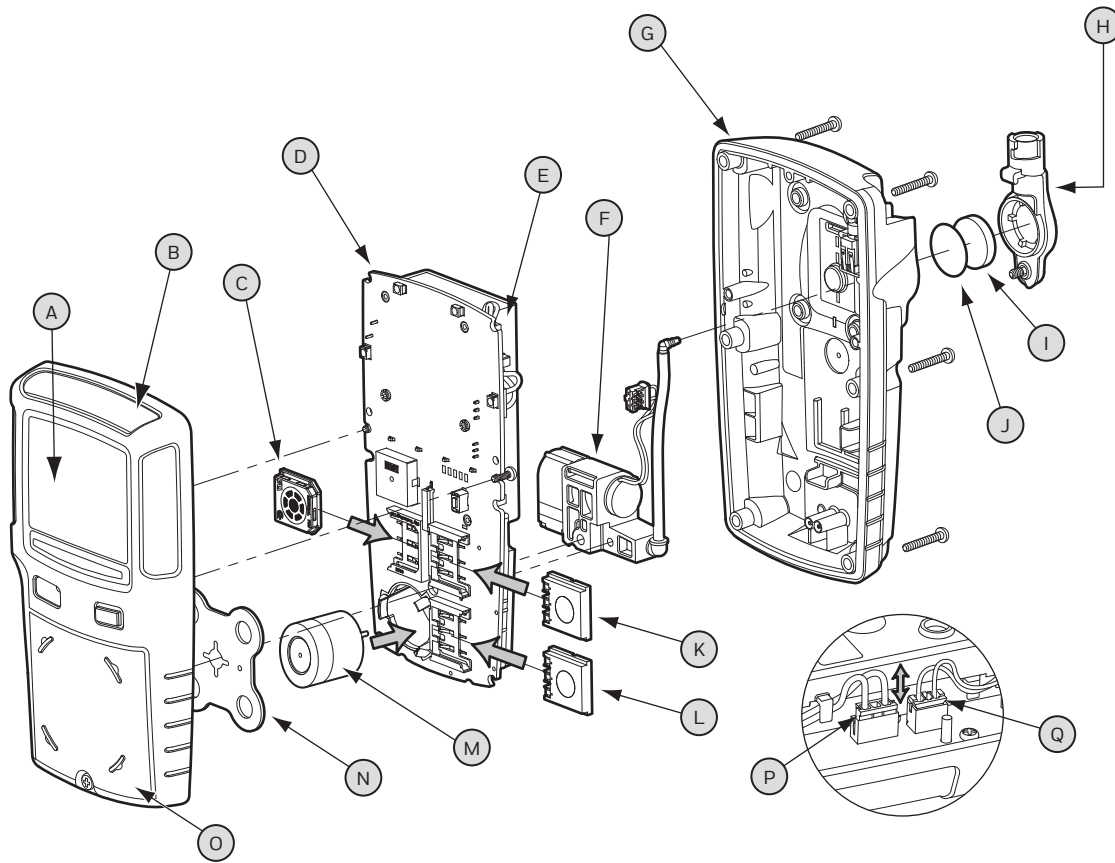
Vehicle Power Adaptor, 12-24 Vdc
GA-VPA-1



Auxiliary Pump Filter
M5-AF-K2 / M5-AF-K2-100
For high dust environments; available in kits of 5 or 100



IR Connectivity Kit
GA-USB1-IR
Use for data download and instrument set-up options



How to Replace the Battery

1. With detector OFF, use No. 1 Phillips screwdriver to loosen retaining screw on pump enclosure (H)
2. Lift pump enclosure (H) so it unhooks from back enclosure (G)
3. Use No. 1 Phillips screwdriver to remove 6 screws from back enclosure (G)
4. Lift back enclosure (G) straight up
5. Lift battery (E) straight up, un-thread wires and disconnect battery wires from the battery connector (P)
6. Connect new battery wires (P), re-thread wires and place new battery on PCB (D)
7. Replace back enclosure (G)
8. Replace 6 screws in back enclosure (G) and hand-tighten until firm
9. Replace pump enclosure (H) and hand-tighten retaining screw until firm

How to Replace the Pump Module

1. With detector OFF, use No. 1 Phillips screwdriver to loosen retaining screw on pump enclosure (H)
2. Lift pump enclosure (H) so it unhooks from back enclosure (G)
3. Use No. 1 Phillips screwdriver to remove 6 screws from back enclosure (G)
4. Lift back enclosure (G) straight up
5. Lift battery straight up and un-thread pump module (F) wires
6. Disconnect hose with connector from the black housing of the pump module (F)
7. Lift pump module (F) straight up and disconnect pump module (F) wires from the pump connector (Q)
8. Connect new pump module wires (Q), re-thread wires and place new pump module (F) on PCB (D)
9. Reconnect hose with connector to the black housing of the pump module (F)
10. Return battery to PCB (D) and replace back enclosure (G)
11. Replace 6 screws in the back enclosure (G) and hand-tighten until firm
12. Replace pump enclosure (H) and hand-tighten retaining screw until firm

Note: Please refer to the instrument's documentation (shipped with the product or available at www.honeywellanalytics.com) for complete instructions on common service procedures. Improper servicing or maintenance may affect warranty eligibility. Honeywell assumes no liability for damages resulting from improper servicing or maintenance.

Honeywell BW™ Max XT II Multi-Gas (1–4) Detector (continued)

Legend	Service Parts	Order Number
A	Replacement LCD kit for Honeywell BW™ Max XT II	XT-LCD-K1
B	Replacement front enclosure (yellow) for Honeywell BW™ Max XT II	XT-FC1-1
	Replacement front enclosure (black) for Honeywell BW™ Max XT II	XT-FC1B-1
C	Replacement combustible sensor, see page 29	
D	Replacement main PCB with screws for Honeywell BW™ Max XT II	XT-MPCB2
F	Replacement pump kit for Honeywell BW™ Max XT II	XT-RPUMP-K1
G	Replacement back enclosure (yellow) with screws for Honeywell BW™ Max XT II	XT-BC1
	Replacement back enclosure (black) with screws for Honeywell BW™ Max XT II	XT-BC1B
H	Replacement pump enclosure (yellow) with screw for Honeywell BW™ Max XT II	XT-PC1
	Replacement pump enclosure (black) with screw for Honeywell BW™ Max XT II	XT-PC1B
I	Replacement particulate pump filter (thick), see page 28	
J	Replacement hydrophobic pump filter (thin), see page 28	
K, L, M	Replacement toxic and oxygen sensors, see page 29	
N	Replacement sensor screen, see page 29	
O	Replacement sensor enclosure with screw (yellow) with screw for Honeywell BW™ Max XT II	XT-SC1
	Replacement sensor enclosure with screw (black) with screw for Honeywell BW™ Max XT II	XT-SC1B
	Replacement alligator clip with screw for Honeywell BW™ Max XT II	XT-AG-1
	Replacement screw kit for Honeywell BW™ Max XT II	XT-SCREW-K1
	Replacement vibration motor	GA-VM-2
	Replacement rubber seal for Honeywell BW™ Max XT II docking module inlet slider	XT-RSD-10

How to Replace a Sensor

1. With detector OFF, use No. 1 Phillips screwdriver to loosen retaining screw on pump enclosure (H)
2. Lift pump enclosure (H) so it unhooks from back enclosure (G)
3. Use No. 1 Phillips screwdriver to remove 6 screws from back enclosure (G)
4. Lift back enclosure (G) straight up
5. Use No. 1 Phillips screwdriver to remove 2 screws from back of PCB (D)
6. Lift PCB (D) together with battery and sensors straight up
7. Remove sensor (C, K, L) by sliding out or sensor (M) by pulling straight up from PCB (D)
8. Insert new sensor (C, K, L, M) into PCB (D)
9. Replace PCB (D) and 2 screws and hand-tighten until firm
10. Replace back enclosure (G)
11. Replace 6 screws in the back enclosure (G) and hand-tighten until firm
12. Replace pump enclosure (H) and hand-tighten retaining screw until firm

How to Replace the Sensor Screen

1. With detector OFF, use No. 1 Phillips screwdriver to loosen retaining screw on pump enclosure (H)
2. Lift pump enclosure (H) so it unhooks from back enclosure (G)
3. Use No. 1 Phillips screwdriver to remove 6 screws from back enclosure (G)
4. Lift back enclosure (G) straight up
5. Use No. 1 Phillips screwdriver to remove 2 screws from back of PCB (D)
6. Lift PCB (D) together with battery and sensors straight up
7. Remove sensor screen (N) from front enclosure (B) by pulling straight up
8. Insert new sensor screen (N) into front enclosure (B)
9. Replace PCB (D) and 2 screws and hand-tighten until firm
10. Replace back enclosure (G)
11. Replace 6 screws in the back enclosure (G) and hand-tighten until firm
12. Replace pump enclosure (H) and hand-tighten retaining screw until firm

Note: Please refer to the instrument's documentation (shipped with the product or available at www.honeywellanalytics.com) for complete instructions on common service procedures. Improper servicing or maintenance may affect warranty eligibility. Honeywell assumes no liability for damages resulting from improper servicing or maintenance.





GasAlertMicro 5 Series

Multi-Gas (1–5) Detectors

Protect yourself

Compact and lightweight, GasAlertMicro 5 Series portable gas detectors simultaneously monitors and display up to five potential atmospheric hazards. The GasAlertMicro 5 PID model also identifies PID detectable VOCs, while the GasAlertMicro 5 IR uses an NDIR sensor to monitor CO₂ levels. Adaptable to a variety of applications, GasAlertMicro 5 Series instruments have an extensive selection of user-settable field options. Use the passcode function to prevent unauthorized modifications of the instrument's settings. Compatible with BW's MicroDock II automatic test and calibration system, GasAlertMicro 5 Series instruments are unparalleled in their versatility, performance and overall value.

Standard Package Contents

- Detector complete with specified sensor(s), stainless steel alligator clip and concussion-proof housing
- Rechargeable battery pack or alkaline pack with three AA batteries
- Cradle charger and wall outlet charging adaptor (with rechargeable battery option)
- Screwdriver
- Calibration/test adaptor and hose
- Manual
- Multi-language CD manual

VOC	Volatile Organic Compounds	PH₃	Phosphine
CO₂	Carbon Monoxide	NH₃	Ammonia
LEL	Combustible Gases	NO₂	Nitrogen Dioxide
H₂S	Hydrogen Sulfide	HCN	Hydrogen Cyanide
CO	Carbon Monoxide	Cl₂	Chlorine
O₂	Oxygen	ClO₂	Chlorine Dioxide
SO₂	Sulfur Dioxide	O₃	Ozone

GENERAL SPECIFICATIONS	
SIZE	5.7 x 2.9 x 1.5 in. / 14.5 x 7.4 x 3.8 cm
WEIGHT	13.1 oz. / 370 g
OPERATING TEMPERATURE	-4 to +122°F / -20 to +50°C 14 to +104°F / -10 to +40°C (PID)
TYPICAL BATTERY LIFE	20 hours (15 hours PID/IR)* <i>*Based on a 5-gas instrument in diffusion mode at 68°F / 20°C</i>
CERTIFICATIONS AND APPROVALS	<p>CSA: Class I, Div. 1, Gr. A, B, C, D</p> <p>ASME: American Bureau of Shipping (Toxic and PID models)</p> <p>ATEX: CE Ex II 1 G Ga Ex ia IIC T4*</p> <p>CE: Ex II 2 G (IR model only) Ex d ia IIC T4*</p> <p>IECEX: Ga Ex ia IIC T4* Ex d ia IIC T4* (IR model only)</p> <p><i>*Temperature codes may vary as a function of the batteries installed. Please see owner's manual for a complete listing of compatible batteries and codes.</i></p>
WARRANTY	Full two year warranty including sensors (one year Cl ₂ , HCN, NH ₃ , O ₃ , ClO ₂ and PID sensor)

5612-15

GasAlertMicro 5 Series Multi-Gas (1–5) Detectors (continued)

GasAlertMicro 5 Detector	Order Number
%LEL, O ₂ , H ₂ S, CO, SO ₂ - rechargeable battery, yellow housing	M5-XWSY-R-D-D-Y-B-00
%LEL, O ₂ , H ₂ S, CO, NH ₃ - rechargeable battery, yellow housing	M5-XWAY-R-D-D-Y-B-00
%LEL, O ₂ , H ₂ S, CO, Cl ₂ - rechargeable battery, yellow housing	M5-XWCY-R-D-D-Y-B-00
%LEL, O ₂ , H ₂ S, CO - rechargeable battery, yellow housing	M5-XW0Y-R-D-D-Y-B-00
%LEL, O ₂ , H ₂ S, CO, SO ₂ - rechargeable battery, black housing	M5-XWSY-R-D-D-B-B-00
%LEL, O ₂ , H ₂ S, CO, NH ₃ - rechargeable battery, black housing	M5-XWAY-R-D-D-B-B-00
%LEL, O ₂ , H ₂ S, CO, Cl ₂ - rechargeable battery, black housing	M5-XWCY-R-D-D-B-B-00
%LEL, O ₂ , H ₂ S, CO - rechargeable battery, black housing	M5-XW0Y-R-D-D-B-B-00

Note: Listed above are commonly ordered instrument configurations. To create a custom GasAlertMicro 5 detector, use the configurator table on the next page or contact BW Technologies for a copy of the electronic pricing and order number configurator. For GasAlertMicro 5 equipped with an unfiltered combustible (LEL) gas sensor, replace order number component 'W' with 'U' (e.g. M5-XUSY-R-D-D-Y-B-00). Filtered LEL sensors may not be suitable for detecting specific combustible gases, including some compounds found in the GasAlertMicro 5 correction factor library. For more information on filtered and unfiltered LEL sensors, please see page 117.

Note: GasAlertMicro 5 Series rechargeable products manufactured after January 1, 2017 no longer comply with California and Oregon CEC,400,2012,FS,002 regulation related to battery charging systems. As a result the rechargeable configurations of GasAlertMicro 5 Series detectors cannot be sold or shipped to the states of Oregon and California. Please contact your local Honeywell Analytics Office to know the availability of products manufactured prior to December, 31, 2016 that could still be shipped to the states of California and Oregon or to identify alternative products.

GasAlertMicro 5 Region Codes	
For orders outside North America, change order number component "-N" to:	
"-E" Europe	"-B" Brazil
"-U" United Kingdom	"-X" Other region with 3-pin UK plug
"-A" Australia	"-Y" Other region with 2-pin UK plug
"-C" China/New Zealand	

Gas Legend			
%LEL	Combustible (W)	ClO ₂	Chlorine dioxide (V)
O ₂	Oxygen (X)	NH ₃	Ammonia (A)
H ₂ S	Hydrogen sulfide (H)	PH ₃	Phosphine (P)
CO	Carbon monoxide (M)	HCN	Hydrogen cyanide (Z)
SO ₂	Sulfur dioxide (S)	NO ₂	Nitrogen dioxide (D)
Cl ₂	Chlorine (C)	O ₃	Ozone (G)

GasAlertMicro 5 Series Multi-Gas (1–5) Detectors (continued)

GasAlertMicro 5 Order Number and Pricing Configurator

► Sensor - Toxic 2 None (dummy sensor) 0 CO and H ₂ S (Duo-Tox dual channel) Y H ₂ S (hydrogen sulfide) H CO (carbon monoxide) M Cl ₂ (chlorine) C ClO ₂ (chlorine dioxide) V PH ₃ (phosphine) P HCN (hydrogen cyanide) Z NO ₂ (nitrogen dioxide) D O ₃ (ozone) G		► Battery A Alkaline R Rechargeable battery pack and cradle charger	
► Sensor - Toxic 1 None (dummy sensor) 0 H ₂ S (hydrogen sulfide) H CO (carbon monoxide) M SO ₂ (sulfur dioxide)* S** Cl ₂ (chlorine) C ClO ₂ (chlorine dioxide) V NH ₃ (ammonia)* A** PH ₃ (phosphine) P HCN (hydrogen cyanide)' Z' NO ₂ (nitrogen dioxide) D O ₃ (ozone) G		► Sampling D Diffusion**	
► Sensor - Combustible Gases None (dummy sensor) 0 %LEL (combustibles) W %LEL (combustibles), unfiltered U*		► Datalogging D Datalogging monitor (with Fleet Manager II software)	
► Sensor - Oxygen None 0 O ₂ (oxygen) X		► Housing Y Yellow housing B Black housing	
► Base Unit Base unit M5		► Region N North America E Europe C China/New Zealand U United Kingdom A Australia B Brazil X Other region with 3-pin UK plug Y Other region with 2-pin EU plug	

Order number: M5 D D 00

For example, the order number for a GasAlertMicro 5 configured for O₂, %LEL, Cl₂, H₂S and CO and equipped with a rechargeable battery pack and cradle charger, yellow housing and Brazil power connectivity would be M5-XWCY-R-D-D-Y-B-00.

*Note: Filtered LEL sensors may not be suitable for detecting specific combustible gases, including some compounds found in the GasAlertMicro 5 correction factor library. For more information on filtered and unfiltered LEL sensors, please see page 1.17.

**Note: Some gases (e.g. SO₂ and NH₃) cannot be combined in the same GasAlertMicro 5 configuration. Please check with Customer Service for specific availability.

'Note: HCN can only be ordered in the Toxic 1 location when the Duo-Tox (CO/H₂S) sensor is ordered in the Toxic 2 location. In all other configurations, HCN must be ordered in the Toxic 2 location.

**Note: For availability of units equipped with a motorized sampling pump, contact customer service or your Honeywell Regional Sales Manager.

Note: GasAlertMicro 5 Series rechargeable products manufactured after January 1, 2017 no longer comply with California and Oregon CEC,400,2012,FS,002 regulation related to battery charging systems. As a result the rechargeable configurations of GasAlertMicro 5 Series detectors cannot be sold or shipped to the states of Oregon and California. Please contact your local Honeywell Analytics Office to know the availability of products manufactured prior to December, 31, 2016 that could still be shipped to the states of California and Oregon or to identify alternative products.

GasAlertMicro 5 Series Multi-Gas (1–5) Detectors (continued)

GasAlertMicro 5 PID Detector	Order Number
VOCs, %LEL, O ₂ , H ₂ S, CO - alkaline batteries, yellow housing	M5PID-XWQY-A-D-D-Y-B-00
VOCs, %LEL, O ₂ , H ₂ S, CO - rechargeable battery, yellow housing	M5PID-XWQY-R-D-D-Y-B-00
VOCs, %LEL, O ₂ - alkaline batteries, yellow housing	M5PID-XWQ0-A-D-D-Y-B-00
VOCs, %LEL, O ₂ - rechargeable battery, yellow housing	M5PID-XWQ0-R-D-D-Y-B-00
VOCs - alkaline batteries, yellow housing	M5PID-00Q0-A-D-D-Y-B-00
VOCs - rechargeable battery, yellow housing	M5PID-00Q0-R-D-D-Y-B-00
VOCs, %LEL, O ₂ , H ₂ S, CO - alkaline batteries, black housing	M5PID-XWQY-A-D-D-B-B-00
VOCs, %LEL, O ₂ , H ₂ S, CO - rechargeable battery, black housing	M5PID-XWQY-R-D-D-B-B-00
VOCs, %LEL, O ₂ - alkaline batteries, black housing	M5PID-XWQ0-A-D-D-B-B-00
VOCs, %LEL, O ₂ - rechargeable battery, black housing	M5PID-XWQ0-R-D-D-B-B-00
VOCs - alkaline batteries, black housing	M5PID-00Q0-A-D-D-B-B-00
VOCs - rechargeable battery, black housing	M5PID-00Q0-R-D-D-B-B-00

Note: Listed above are commonly ordered instrument configurations. To create a custom GasAlertMicro 5 PID detector, use the configurator table on the next page or contact BW Technologies for a copy of the electronic pricing and order number configurator. For GasAlertMicro 5 PID equipped with an unfiltered combustible (LEL) gas sensor, replace order number component 'W' with 'U' (e.g. M5PID-XUQY-A-P-D-Y-B-00). Filtered LEL sensors may not be suitable for detecting specific combustible gases, including some compounds found in the GasAlertMicro 5 correction factor library. For more information on filtered and unfiltered LEL sensors, please see page 117.

Note: GasAlertMicro 5 Series rechargeable products manufactured after January 1, 2017 no longer comply with California and Oregon CEC,400,2012,FS,002 regulation related to battery charging systems. As a result the rechargeable configurations of GasAlertMicro 5 Series detectors cannot be sold or shipped to the states of Oregon and California. Please contact your local Honeywell Analytics Office to know the availability of products manufactured prior to December, 31, 2016 that could still be shipped to the states of California and Oregon or to identify alternative products.

GasAlertMicro 5 PID Region Codes	
For orders outside North America, change order number component "-N" to:	
"-E" Europe	"-B" Brazil
"-U" United Kingdom	"-X" Other region with 3-pin UK plug
"-A" Australia	"-Y" Other region with 2-pin UK plug
"-C" China/New Zealand	

Gas Legend			
%LEL	Combustible (W)	ClO ₂	Chlorine dioxide (V)
O ₂	Oxygen (X)	NH ₃	Ammonia (A)
H ₂ S	Hydrogen sulfide (H)	PH ₃	Phosphine (P)
CO	Carbon monoxide (M)	HCN	Hydrogen cyanide (Z)
SO ₂	Sulfur dioxide (S)	NO ₂	Nitrogen dioxide (D)
Cl ₂	Chlorine (C)	O ₃	Ozone (G)
VOCs	Volatile organic compounds (Q)		

GasAlertMicro 5 Series Multi-Gas (1–5) Detectors (continued)

GasAlertMicro 5 PID Order Number and Pricing Configurator

▶ Sensor - Toxic 2 None (dummy sensor) O CO and H ₂ S (Duo-Tox dual channel) Y H ₂ S (hydrogen sulfide) H CO (carbon monoxide) M SO ₂ (sulfur dioxide) S Cl ₂ (chlorine) C ClO ₂ (chlorine dioxide) V NH ₃ (ammonia) A PH ₃ (phosphine) P HCN (hydrogen cyanide) Z NO ₂ (nitrogen dioxide) D O ₃ (ozone) G		▶ Battery A Alkaline R Rechargeable battery pack and cradle charger	
▶ Sensor - Toxic 1 None (dummy sensor) O PID (photoionization detector) for VOCs (volatile organic compounds) Q		▶ Sampling D Diffusion**	
▶ Sensor - Combustible Gases None (dummy sensor) O %LEL (combustibles) W %LEL (combustibles), unfiltered U*		▶ Datalogging D Datalogging monitor (with Fleet Manager II software)	
▶ Sensor - Oxygen None O O ₂ (oxygen) X		▶ Housing Y Yellow housing B Black housing	
▶ Base Unit Base unit M5PID		▶ Region N North America E Europe C China/New Zealand U United Kingdom A Australia B Brazil X Other region with 3-pin UK plug Y Other region with 2-pin EU plug	

Order number: M5PID - - - - - D - D - - - - - 00

For example, the order number for a GasAlertMicro 5 PID configured for O₂, %LEL, VOCs, H₂S and CO and equipped with a rechargeable battery pack and cradle charger, yellow housing and Brazil power connectivity would be M5PID-XWQY-R-D-D-Y-B-00.

*Note: Filtered LEL sensors may not be suitable for detecting specific combustible gases, including some compounds found in the GasAlertMicro 5 correction factor library. For more information on filtered and unfiltered LEL sensors, please see page 117.

**Note: Some gases cannot be combined in the same GasAlertMicro 5 configuration. Please check with Customer Service for specific availability.

**Note: For availability of units equipped with a motorized sampling pump, contact customer service or your Honeywell Regional Sales Manager.

Note: GasAlertMicro 5 Series rechargeable products manufactured after January 1, 2017 no longer comply with California and Oregon CEC,400.2012.FS.002 regulation related to battery charging systems. As a result the rechargeable configurations of GasAlertMicro 5 Series detectors cannot be sold or shipped to the states of Oregon and California. Please contact your local Honeywell Analytics Office to know the availability of products manufactured prior to December, 31, 2016 that could still be shipped to the states of California and Oregon or to identify alternative products.

GasAlertMicro 5 Series Multi-Gas (1–5) Detectors (continued)

GasAlertMicro 5 IR Detector	Order Number
CO ₂ (IR), %LEL, O ₂ , H ₂ S, CO - rechargeable battery, yellow housing	M5IR-XWBY-R-D-D-Y-B-00
CO ₂ (IR), %LEL, O ₂ , H ₂ S - rechargeable battery, yellow housing	M5IR-XWBH-R-D-D-Y-B-00
CO ₂ (IR), %LEL, O ₂ - rechargeable battery, yellow housing	M5IR-XWB0-R-D-D-Y-B-00
CO ₂ (IR) - rechargeable battery, yellow housing	M5IR-00B0-R-D-D-Y-B-00
CO ₂ (IR), %LEL, O ₂ , H ₂ S, CO - rechargeable battery, black housing	M5IR-XWBY-R-D-D-B-B-00
CO ₂ (IR), %LEL, O ₂ , H ₂ S - rechargeable battery, black housing	M5IR-XWBH-R-D-D-B-B-00
CO ₂ (IR), %LEL, O ₂ - rechargeable battery, black housing	M5IR-XWB0-R-D-D-B-B-00
CO ₂ (IR) - rechargeable battery, black housing	M5IR-00B0-R-D-D-B-B-00

Note: Listed above are commonly ordered instrument configurations. To create a custom GasAlertMicro 5 IR detector, use the configurator table on the next page or contact BW Technologies for a copy of the electronic pricing and order number configurator. For GasAlertMicro 5 IR equipped with an unfiltered combustible (LEL) gas sensor, replace order number component 'W' with 'U' (e.g. M5IR-XUBY-R-D-D-Y-B-00). Filtered LEL sensors may not be suitable for detecting specific combustible gases, including some compounds found in the GasAlertMicro 5 correction factor library. For more information on filtered and unfiltered LEL sensors, please see page 117.

Note: GasAlertMicro 5 Series rechargeable products manufactured after January 1, 2017 no longer comply with California and Oregon CEC,400,2012,FS,002 regulation related to battery charging systems. As a result the rechargeable configurations of GasAlertMicro 5 Series detectors cannot be sold or shipped to the states of Oregon and California. Please contact your local Honeywell Analytics Office to know the availability of products manufactured prior to December, 31, 2016 that could still be shipped to the states of California and Oregon or to identify alternative products.

GasAlertMicro 5 IR Region Codes	
For orders outside North America, change order number component "-N" to:	
"-E" Europe	"-B" Brazil
"-U" United Kingdom	"-X" Other region with 3-pin UK plug
"-A" Australia	"-Y" Other region with 2-pin UK plug
"-C" China/New Zealand	

Gas Legend			
%LEL	Combustible (W)	ClO ₂	Chlorine dioxide (V)
O ₂	Oxygen (X)	NH ₃	Ammonia (A)
H ₂ S	Hydrogen sulfide (H)	PH ₃	Phosphine (P)
CO	Carbon monoxide (M)	HCN	Hydrogen cyanide (Z)
SO ₂	Sulfur dioxide (S)	NO ₂	Nitrogen dioxide (D)
Cl ₂	Chlorine (C)	O ₃	Ozone (G)
CO ₂	Carbon dioxide (B)		

GasAlertMicro 5 Series Multi-Gas (1-5) Detectors (continued)

GasAlertMicro 5 IR Order Number and Pricing Configurator

▶ Sensor - Toxic 2		▶ Battery	
None (dummy sensor)	0	A	Alkaline
CO and H ₂ S (Duo-Tox dual channel)	Y	R	Rechargeable battery pack and cradle charger
H ₂ S (hydrogen sulfide)	H	▶ Sampling	
CO (carbon monoxide)	M	D	Diffusion**
SO ₂ (sulfur dioxide)	S	▶ Datalogging	
NH ₃ (ammonia)	A	D	Datalogging monitor (with Fleet Manager II software)
O ₃ (ozone)	G	▶ Housing	
▶ Sensor - Toxic 1		Y	Yellow housing
None (dummy sensor)	0	B	Black housing
IR (infrared) for CO ₂ (carbon dioxide)	B	▶ Region	
▶ Sensor - Combustible Gases		N	North America
None (dummy sensor)	0	E	Europe
%LEL (combustibles)	W	C	China/New Zealand
%LEL (combustibles), unfiltered	U*	U	United Kingdom
▶ Sensor - Oxygen		A	Australia
None	0	B	Brazil
O ₂ (oxygen)	X	X	Other region with 3-pin UK plug
▶ Base Unit		Y	Other region with 2-pin EU plug
Base unit	M5IR		

Order number: M5IR - - - - - D - D - - - - - 00

For example, the order number for a GasAlertMicro 5 IR configured for O₂, %LEL, CO₂, H₂S and CO and equipped with a rechargeable battery pack and cradle charger, yellow housing and Brazil power connectivity would be M5IR-XWBY-R-D-D-Y-B-00

*Note: Filtered LEL sensors may not be suitable for detecting specific combustible gases, including some compounds found in the GasAlertMicro 5 correction factor library. For more information on filtered and unfiltered LEL sensors, please see page 117.

**Note: Some gases cannot be combined in the same GasAlertMicro 5 configuration. Please check with Customer Service for specific availability.

**Note: For availability of units equipped with a motorized sampling pump, contact customer service or your Honeywell Regional Sales Manager.

Note: GasAlertMicro 5 Series rechargeable products manufactured after January 1, 2017 no longer comply with California and Oregon CEC,400,2012,FS,002 regulation related to battery charging systems. As a result the rechargeable configurations of GasAlertMicro 5 Series detectors cannot be sold or shipped to the states of Oregon and California. Please contact your local Honeywell Analytics Office to know the availability of products manufactured prior to December, 31, 2016 that could still be shipped to the states of California and Oregon or to identify alternative products.

GasAlertMicro 5 Series Multi-Gas (1-5) Detectors (continued)

Confined Space Kits	Order Number
GasAlertMicro 5 Series Deluxe Confined Space Kit - includes manual aspirator kit, sampling probe with holster, five spare auxiliary filters and three spare quick connect fittings, 10 ft. / 3 m sampling hose, carrying holster, calibration cap, 1.0 LPM regulator and carrying case with foam insert <i>Detector, calibration gas and motorized sampling pump sold separately.</i>	M5-CK-DL
Carrying case for GasAlertMicro 5 Series with foam and lid insert	M5-CK-CC

Carrying & Protective Accessories	Order Number
Concussion-proof boot, diffusion units	GA-BM5-1
Carrying holster	GA-HM5
Neck strap with safety release	GA-NS-1
Short strap (6 in. / 15.2 cm)	GA-LY-1
Extension strap (4 ft. / 1.2 m)	GA-ES-1
Chest harness	GA-CH-2

Sampling & Testing Equipment	Order Number
Manual aspirator pump kit with probe (1 ft. / 0.3 m)	GA-AS02
Test cap and hose (1.5 ft. / 0.5 m) replacement	M5-TC-1

Note: For complete list of Sampling & Testing Equipment, see the Sampling Equipment section on pages 52-53.

Deluxe Confined Space Kit
M5-CK-DL



Concussion-Proof Boot
GA-BM5-1
For GasAlertMicro 5 Series diffusion units



Carrying Holster
GA-HM5
Fits securely on belt



Manual Aspirator Pump
GA-AS02
For remote sampling; complete with probe, hose and aspirator pump



Replacement Test Cap and Hose
M5-TC-1

GasAlertMicro 5 Series Multi-Gas (1-5) Detectors (continued)

Power Accessories	Order Number
Alkaline battery pack, yellow*	M5-BAT0501
Alkaline battery pack, black*	M5-BAT0501B
Alkaline battery pack, European-style safety screws, yellow*	M5-BAT0502
Rechargeable battery pack, yellow*	M5-BAT08
Rechargeable battery pack, black*	M5-BAT08B
Cradle charger and rechargeable battery pack, yellow*	M5-C01-BAT08
Cradle charger and rechargeable battery pack, black*	M5-C01-BAT08B
Cradle charger for rechargeable battery packs	M5-C01
12 Vdc vehicle adaptor cable for use with cradle charger (M5-C01)	GA-V-CHRG4
Replacement power supply for chargers	POWER-UPS-01

*Note: Battery packs and chargers should be used with the new version GasAlertMicro 5 Series gas detectors (red circuit boards).

Note: GasAlertMicro 5 Series rechargeable products manufactured after January 1, 2017 no longer comply with California and Oregon CEC,400,2012,FS,002 regulation related to battery charging systems. As a result the rechargeable configurations of GasAlertMicro 5 Series detectors cannot be sold or shipped to the states of Oregon and California. Please contact your local Honeywell Analytics Office to know the availability of products manufactured prior to December, 31, 2016 that could still be shipped to the states of California and Oregon or to identify alternative products.

Datalogging Accessories	Order Number
Multimedia card	M5-MMC

MicroDock II	Order Number
MicroDock II Automated Calibration and Testing Station:	
- Base station and GasAlertMicro 5 Series docking module (charging) with charging cable	DOCK2-2-1C1K-00-G
- Base station and GasAlertMicro 5 Series docking module (non-charging)	DOCK2-2-1J-00-G
- GasAlertMicro 5 Series docking module (charging), no charging cable	DOCK2-0-1K-00-G
- GasAlertMicro 5 Series docking module (non-charging)	DOCK2-0-1J-00-G
For complete MicroDock II system configuration information, see MicroDock II section.	



Alkaline Battery Pack
M5-BAT0501/M5-BAT0501B
M5-BAT0502/M5-BAT0502B



Rechargeable Battery Pack
M5-BAT08/M5-BAT08B



Vehicle Adaptor, 12 Vdc
GA-V-CHRG4
Vehicle adaptor cable for use with cradle charger (M5-C01)



Cradle Charger Kit with Battery
M5-C01-BAT08 / M5-C01-BAT08B
Complete with charger and rechargeable battery pack



Cradle Charger
M5-C01
Cradle charger for rechargeable battery packs (can charge battery pack with or without detector attached)

GasAlertMicro 5 Series Multi-Gas (1-5) Detectors (continued)

Replacement Sensor Screens	Order Number
Quad sensor screen filters (kit of 2)	M5-SS
Replacement Sensors	Order Number
Replacement ammonia (NH ₃) sensor*	SR-A04
Replacement carbon dioxide (CO ₂) IR sensor	SR-B04
Replacement carbon monoxide (CO) sensor	SR-M04-SC
Replacement chlorine (Cl ₂) sensor*	PS-RC10
Replacement chlorine dioxide (ClO ₂) sensor*	SR-V04
Replacement combustible (% LEL) sensor with heavy duty silicone filter†	SR-W04
Replacement combustible (% LEL) sensor without heavy duty silicone filter†	SR-W04-UF
Replacement Duo-Tox sensor - carbon monoxide (CO) and hydrogen sulfide (H ₂ S)	D4-RHM04
Replacement hydrogen cyanide (HCN) sensor*	PS-RZ10
Replacement hydrogen sulfide (H ₂ S) sensor	PS-RH04S
Replacement nitrogen dioxide (NO ₂) sensor	PS-RD04
Replacement oxygen (O ₂) sensor	SR-X2V
Replacement ozone (O ₃) sensor*	SR-G04
Replacement phosphine (PH ₃) sensor	SR-P04
Replacement sulfur dioxide (SO ₂) sensor	PS-RS04
Replacement volatile organic compounds (VOC) PID sensor, 10.6 eV*	SR-Q07
Replacement PID lamp, (10.6 eV) for PID sensor (SR-Q07)*	RL-PID10.6
Replacement electrode stacks for PID sensor (SR-Q07) (kit of 2)	M5PID-ES-1
Cleaning kit for PID sensor (includes Finger Cots, Q-Tips, Dry Optical Wipes, Alcohol Prep Wipes)	M5PID-CLN-K1
Dummy sensor for 3-pin O ₂ or 3-pin Duo-Tox locations	SR-DUMM1
Dummy sensor for combustible (LEL) location	SR-DUMM2
Dummy sensor for PID location	SR-DUMM3

Note: All sensors come with a 2 year warranty unless marked with an asterisk (*), denoting 1 year warranty.

Advisory: Detectors are equipped on a standard basis with SR-W04 combustible sensors. This sensor includes a heavy duty silicone filter that make it ideal for use in environments that have known sources of silicone or vapors containing silicon. The SR-W04 silicone filter equipped sensor should not be used when monitoring diesel, kerosene, jet fuel or other heavy hydrocarbon vapors with flashpoint temperatures above 38°C (100°F). Filtered LEL sensors may not be suitable for detecting specific combustible gases, including some compounds found in the GasAlertMicro 5 correction factor library. For more information on filtered and unfiltered LEL sensors, please see page 117.



PID Cleaning Kit
M5PID-CLN-K1
For PID sensors



Replacement PID Sensor
SR-Q07



Replacement 10.6 eV PID Lamp
RL-PID10.6
For PID sensors



Replacement IR Sensor
SR-B04



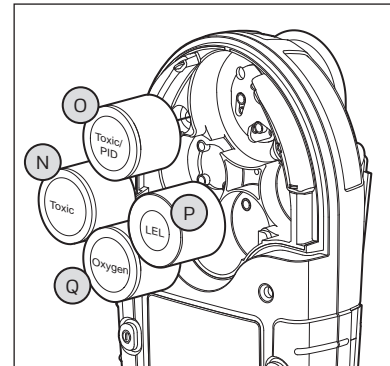
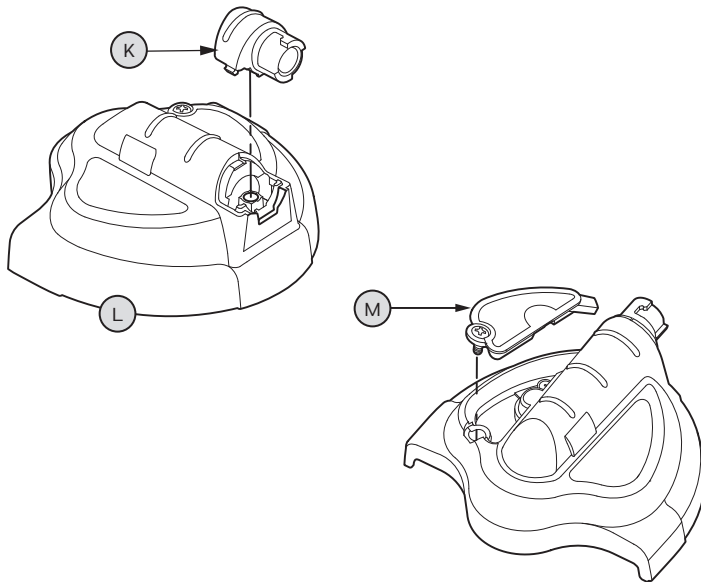
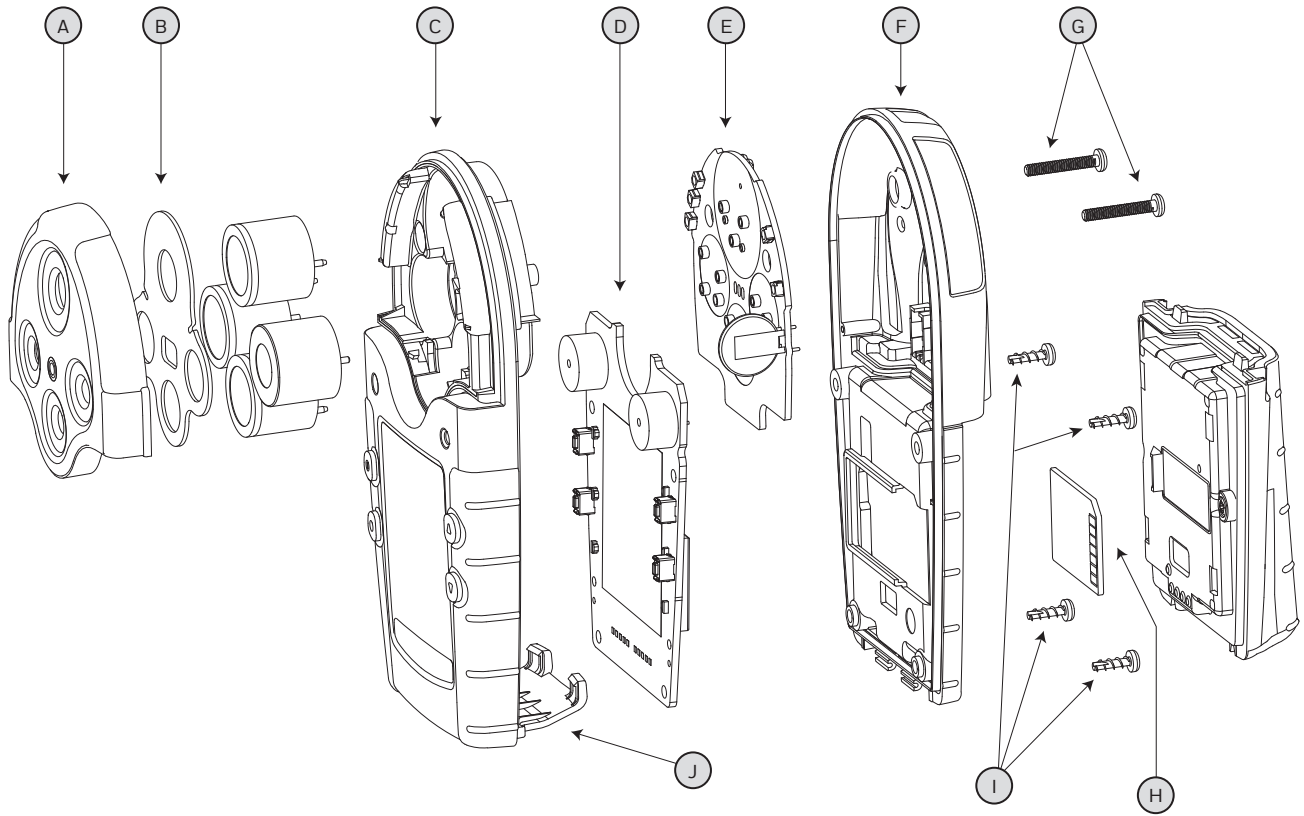
Replacement Electrode Stack
M5PID-ES-1
For PID sensors

GasAlertMicro 5 Series Multi-Gas (1–5) Detectors (continued)

Calibration & Testing Equipment	Order Number
Quint-gas: CH ₄ (2.5%), O ₂ (18.0%), H ₂ S (25 ppm), CO (100 ppm), CO ₂ (0.5%), balance N ₂ , 34 L	CG-QT34-1
Quint-gas: CH ₄ (2.5%), O ₂ (18.0%), H ₂ S (25 ppm), CO (100 ppm), CO ₂ (0.5%), balance N ₂ , 58 L	CG-QT58-1
Quad-gas: CH ₄ (2.5%), O ₂ (18.0%), H ₂ S (25 ppm), CO (100 ppm), 34 L, balance N ₂ (requires REG-DF-1 or REG-0.5)	CG-Q34-4
Quad-gas: CH ₄ (2.5%), O ₂ (18.0%), H ₂ S (25 ppm), CO (100 ppm), 58 L, balance N ₂ (requires REG-DF-1 or REG-0.5)	CG-Q58-4
Ammonia (NH ₃ , 50 ppm), balance air, 34 L	CG2-A-50-34
Ammonia (NH ₃ , 50 ppm), balance N ₂ , 58 L	CG2-A-50-58
Carbon dioxide (CO ₂ , 1.0%/vol. / 10,000 ppm)	CG2-B-10K-34
Isobutylene (100 ppm), balance air, 34 L (aluminum cylinder)	CG2-IB-100-34AL
Isobutylene (100 ppm), balance air, 58 L (aluminum cylinder)	CG2-IB-100-58AL
Sulfur dioxide (SO ₂ , 10 ppm), balance N ₂ , 34 L	CG2-S-10-34
Sulfur dioxide (SO ₂ , 10 ppm), balance N ₂ , 58 L	CG2-S-10-58
Demand flow regulator - male fitting (for use with MicroDock II or motorized pump module)	REG-DF-1
Calibration gas regulator - male fitting	REG-0.5
Calibration gas regulator - male fitting	REG2-0.5
Calibration hose, Tygon (1 ft. / 0.3 m, 1/8 in. I.D., 1/4 in. O.D.)	C2-HOSE1-1
Wall mount (adjustable) for 34, 58, 103 L gas cylinders, red	MK-CG2-58

For a full list of calibration and testing equipment, please see pages 71-73.

GasAlertMicro 5 Series Multi-Gas (1-5) Detectors (continued)



Note: Please refer to the instrument's documentation (shipped with the product or available at www.honeywellanalytics.com) for complete instructions on common service procedures. Improper servicing or maintenance may affect warranty eligibility. Honeywell assumes no liability for damages resulting from improper servicing or maintenance.

GasAlertMicro 5 Series Multi-Gas (1–5) Detectors (continued)

Legend	Service Parts	Order Number
A	Replacement diffusion cover (yellow) for GasAlertMicro 5 Series	M5-DC-1
	Replacement diffusion cover (black) for GasAlertMicro 5 Series	M5-DCB-1
B	Replacement sensor screen, see page 42	
C	Replacement front enclosure (yellow) for GasAlertMicro 5 Series	M5-FC1
	Replacement front enclosure (black) for GasAlertMicro 5 Series	M5-FC1B
D	Replacement main PCB for GasAlertMicro 5 Series	M5-DL2-MPCB3
	Replacement sensor PCB for GasAlertMicro 5	M5-SPCB3
E	Replacement sensor PCB for GasAlertMicro 5 PID	M5PID-SPCB3
	Replacement sensor PCB for GasAlertMicro 5 IR	M5IR-SPCB1
F	Replacement back enclosure (yellow) with screws for GasAlertMicro 5 Series	M5-BC1
	Replacement back enclosure (black) with screws for GasAlertMicro 5 Series	M5-BC1B
G	Back enclosure screws (included with F)	
H	Replacement multimedia card for GasAlertMicro 5 Series	M5-MMC
I	Replacement screw kit for GasAlertMicro 5 Series (includes Pump Cover Screws, PCB Screws, Housing Screws and Alkaline Battery Pack Screws)	M5-SCREW-K1
J	Replacement battery latch for GasAlertMicro 5 Series	M5-BL-1
K	Replacement nozzle for generation 2 GasAlertMicro 5 Series pump module (with filter window)	M5-PN-1
L	Replacement pump, yellow	M5-PR-1
	Replacement pump, black	M5-PRB-1
M	Auxiliary pump filter (kit of 100)	M5-AF-K2-100
	Auxiliary pump filter (kit of 5)	M5-AF-K2
N, O, P, Q	Replacement sensors, see page 42	
	Replacement alligator-style clip with screw (stainless steel)	GA-AG-2
	Hose assembly with syringe filter	M5-QCONN-K1
	Replacement screwdriver and alkaline battery pack screws for GasAlertMicro 5 Series	M5-ALLEN
	Replacement vibration motor	GA-VM-2

How to Replace a Sensor

1. With detector OFF, use No. 1 Phillips screwdriver to remove 2 screws (G) from back enclosure (F) on either side of the belt clip
2. Lift diffusion cover (A) or pump module straight up
3. Remove sensor (N-Q) by pulling straight up from PCB (E)
4. Insert new sensor (N-Q) into PCB (E)
5. Replace diffusion cover (A) or pump module
6. Replace 2 screws (G) in back enclosure (F) and hand-tighten until firm

How to Replace the Sensor Screen

1. With detector OFF, use No. 1 Phillips screwdriver to remove 2 screws (G) from back enclosure (F) on either side of the belt clip
2. Lift diffusion cover (A) or pump module straight up
3. Remove sensor screen (B) by pulling it straight up from diffusion cover (A) or pump module
4. Insert sensor screen (B) into diffusion cover (A) or pump module
5. Replace diffusion cover (A) or pump module
6. Replace 2 screws (G) in back enclosure (F) and hand-tighten until firm

Note: Please refer to the instrument's documentation (shipped with the product or available at www.honeywellanalytics.com) for complete instructions on common service procedures. Improper servicing or maintenance may affect warranty eligibility. Honeywell assumes no liability for damages resulting from improper servicing or maintenance.



Honeywell BW™ Ultra

Multi-Gas Detector

Portable Multi-Gas Detector

At Honeywell, we always put your safety where it should be – first. With Honeywell BW™ Ultra, our new portable five-gas detector, you will be able to do the same for your workers. Designed specifically for sampling and monitoring confined spaces, before and after entry, Honeywell BW™ Ultra has enhanced sensor technology, visibility on gas readings, comfort, and connectivity. This makes it the most reliable and user-friendly way to prevent a safety incident.

Standard Package Contents

- Detector complete with specified sensor(s), stainless steel alligator clip and concussion proof housing
- Rechargeable battery pack (installed)
- Wall outlet charger adaptor
- LCD Protector
- Spare filters
- Quick connect fittings
- 10 ft. / 3 m sample tubing
- Screwdriver
- Multi-language Quick Reference Guide
- USB with User Manual

VOC Volatile Organic Compounds	NH₃ Ammonia
CO₂ Carbon Monoxide	H₂ Hydrogen
LEL Combustible Gases	NO Nitric Oxide
H₂S Hydrogen Sulfide	NO₂ Nitrogen Dioxide
CO Carbon Monoxide	H₂CN Hydrogen Cyanide
O₂ Oxygen	Cl₂ Chlorine
SO₂ Sulfur Dioxide	

GENERAL SPECIFICATIONS	
SIZE	5.8 x 3.3 x 1.6 in. / 14.8 x 8.5 x 4.0 cm
WEIGHT	14.5 oz. / 411 g (with clip)
OPERATING TEMPERATURE	-4 to +131° F / -20 to +50° C
INGRESS PROTECTION	IP66/68
WARRANTY	Instrument: 3 years Sensors: 3 years (2 years NH ₃ , 1 year PID and Cl ₂) Battery: 2 years

DS01195-01

Honeywell BW™ Ultra

Multi-Gas Detector

Honeywell BW™ Ultra Five-Gas Detector with Pump	Order Number	
	Black	Yellow
O ₂ , LEL, H ₂ S, CO, VOCs	HU-X1W1H1M1Q1-B-B	HU-X1W1H1M1Q1-Y-B
O ₂ , LEL, H ₂ S, CO, CO ₂ IR	HU-X1W1H1M1B1-B-B	HU-X1W1H1M1B1-Y-B
O ₂ , LEL, H ₂ S, CO, SO ₂	HU-X1W1H1M1S1-B-B	HU-X1W1H1M1S1-Y-B
O ₂ , LEL, H ₂ S, CO, NH ₃	HU-X1W1H1M1A1-B-B	HU-X1W1H1M1A1-Y-B
O ₂ , LEL, H ₂ S, CO, Cl ₂	HU-X1W1H1M1C1-B-B	HU-X1W1H1M1C1-Y-B
Honeywell BW™ Ultra Four-Gas Detector with Pump	Black	Yellow
O ₂ , LEL, H ₂ S, CO	HU-X1W1H1M100-B-B	HU-X1W1H1M100-Y-B

Note: Listed above are commonly ordered instrument configurations. To create a custom Honeywell BW™ Ultra detector, use the configurator table on the next page or contact Honeywell Analytics.

Honeywell BW™ Ultra Multi-Gas Detector (continued)

Honeywell BW™ Ultra Order Number and Pricing Configurator

▶ Sensor 4 - Toxic 2		▶ Sensor 5 - Toxic 3	
None (dummy sensor)	00	00	None (dummy sensor)
H ₂ S (hydrogen sulfide)	H1	Q1	PID for VOCs (volatile organic compounds)
CO (carbon monoxide)	M1	W4	IR (infrared) for %LEL + % vol. (combustibles)
▶ Sensor 3 - Toxic 1		B1	IR (infrared) for CO ₂ (carbon dioxide)
None (dummy sensor)	00	S1	SO ₂ (sulfur dioxide)
H ₂ S (hydrogen sulfide)	H1	A1	NH ₃ (ammonia)
CO (carbon monoxide)	M1	R1	H ₂ (hydrogen)
▶ Sensor 2 - Combustible Gases		C1	Cl ₂ (chlorine)
None (dummy sensor)	00	D1	NO ₂ (nitrogen dioxide)
%LEL (combustibles), filtered	W1	Z1	HCN (hydrogen cyanide)
%LEL (combustibles), unfiltered	W2	N1	NO (nitrogen monoxide)
%LEL (combustibles), carbon filtered for mining*	W3	M2	CO (carbon monoxide), H ₂ (hydrogen) resistant
▶ Sensor 1 - Oxygen		▶ Housing	
None	00	B	Black housing
O ₂ (oxygen)	X1	Y	Yellow housing
▶ Base Unit		▶ Region	
Base unit	HU	N	North America
		E	Europe
		U	United Kingdom
		C	China/New Zealand
		A	Australia
		B	Brazil
		R	Russia
		X	Other region with 3-pin UK plug
		Y	Other region with 2-pin EU plug
		M	Mining

Order number: HU - - - - - - -

For example, the order number for a Honeywell BW™ Ultra configured for O₂, %LEL (filtered), H₂S, CO, and SO₂ and equipped with a black housing and Brazil power connectivity would be HU-X1W1H1M1S1-B-B.

*Note: For information on filtered and unfiltered LEL sensors, please see page 1.17.

Honeywell BW™ Ultra Multi-Gas Detector (continued)

Confined Space Kits	Order Number
Honeywell BW™ Ultra Deluxe Confined Space Kit	HU-CK-DL
Carrying case for Honeywell BW™ Ultra with foam and lid insert	HU-CK-CC

Carrying & Protective Accessories	Order Number
Concussion-proof boot	HU-BOOT
Impact screen protector	HU-ISP
LCD scratch protector (kit of 5)	HU-PG5
LCD scratch protector (kit of 50)	HU-PG50
Neck strap with safety release	GA-NS-1
Short strap (6 in. / 15.2 cm)	GA-LY-1
Extension strap (4 ft. / 1.2 m)	GA-ES-1
Chest harness	GA-CH-2

Sampling Equipment	Order Number
Sampling hose (10 ft. / 3 m, 1/8 in. I.D., 1/4 in. O.D.) kit	HOSE1-10
Sampling hose (20 ft. / 6.1 m, 1/8 in. I.D., 1/4 in. O.D.) kit	HOSE1-20
Sampling hose (65 ft. / 19.8 m, 1/8 in. I.D., 1/4 in. O.D.) kit	HOSE1-65
Sampling hose (75 ft. / 22.8 m, 1/8 in. I.D., 1/4 in. O.D.) kit	HOSE1-75
Sampling hose (10 ft. / 3 m, 1/8 in. I.D., 1/4 in. O.D.) kit, Teflon lined for reactive gases	HOSE2-10
Sampling hose (20 ft. / 6.1 m, 1/8 in. I.D., 1/4 in. O.D.) kit, Teflon lined for reactive gases	HOSE2-20
Sampling hose (65 ft. / 19.8 m, 1/8 in. I.D., 1/4 in. O.D.) kit, Teflon lined for reactive gases	HOSE2-65
Sampling hose (75 ft. / 22.8 m, 1/8 in. I.D., 1/4 in. O.D.) kit, Teflon lined for reactive gases	HOSE2-75
Sample probe with hydrophobic and particulate filters	GA-PROB1-1
Replacement filter and gasket kit for one for sample probe (GA-PROB1-1)	GA-PROB-FIL-K1
Replacement particulate filter for GA-PROB1-1 (kit of 25)	GA-PROB-PFIL-K25
Replacement syringe filter for sample probe (GA-PROB1-1)	GA-SFIL
Replacement syringe filters (kit of 20) for sample probe (GA-PROB1-1)	GA-SFIL-K1
Metallic sintered particulate filter	GA-MFILTER
Sampling float	GA-FLOAT
Replacement hydrophobic filter with male connector	D4-WT-1
Water trap with barbed connectors	WT-2

Note: For complete list of Sampling & Testing Equipment, see the Sampling Equipment section on pages 52-53.

Power Accessories	Order Number
Multi-unit cradle charger	HU-C01-MC5
Rechargeable battery pack with screw	HU-BAT

Honeywell BW™ Ultra Multi-Gas Detector (continued)

Honeywell IntelliDoX® Automated Instrument Management System	Order Number
Honeywell IntelliDoX® docking station for Honeywell BW™ Ultra	DX-ULTRA
Honeywell IntelliDoX® Nest for Honeywell BW™ Ultra	DX-NEST-ULTRA
Honeywell IntelliDoX® enabler kit, NA version (North America) <i>Includes power supply with region-specific AC power cord, ethernet cable, inlet (purge) filter assembly, 3 ft. / 1 m calibration gas tubing, 3 ft. / 1 m purge gas tubing, 15 ft. / 4.5 m exhaust tubing and quick connect fittings.</i>	DX-ENBL-NA

Note: One Honeywell IntelliDoX® enabler kit is required for each docking system. Each docking system can support up to 5 Honeywell IntelliDoX® modules. For a complete list of Honeywell IntelliDoX® parts, please refer to the Honeywell IntelliDoX® Docking System section on pages 55-57.

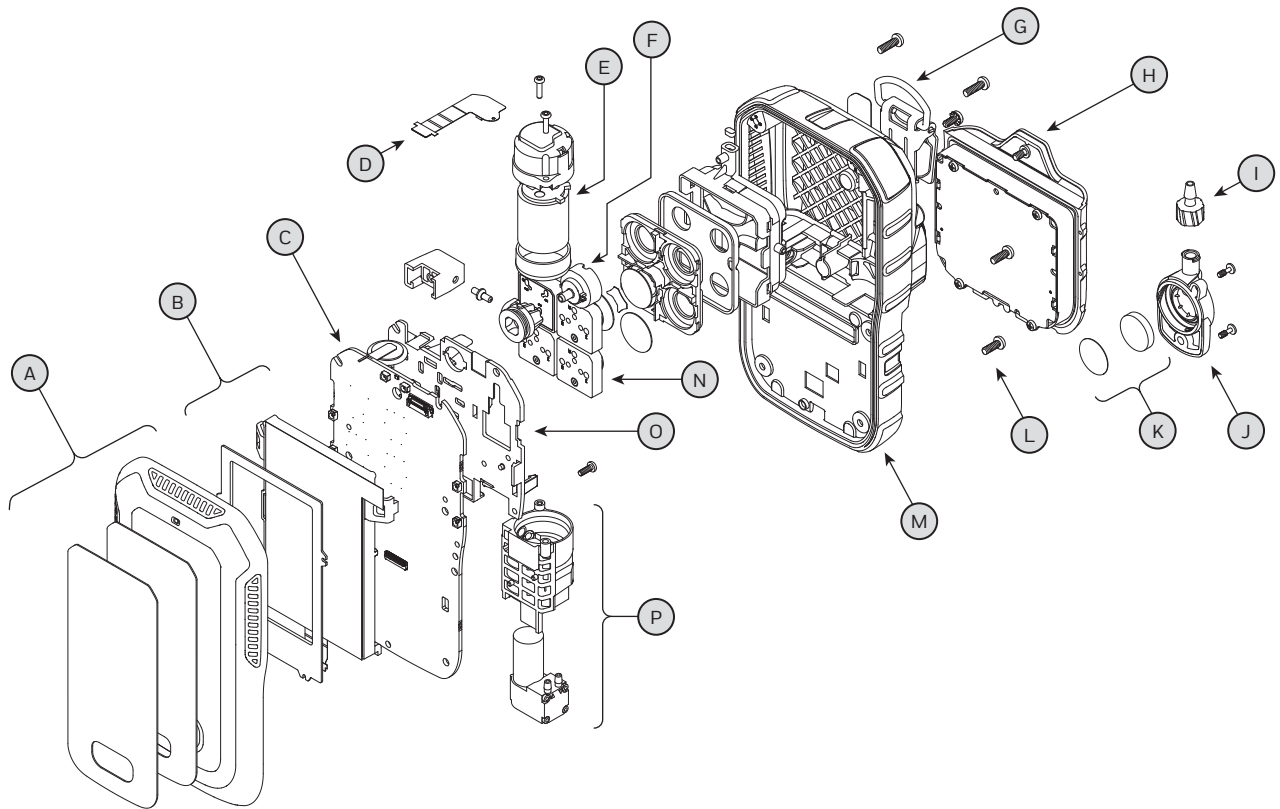
Calibration & Testing Equipment	Order Number
Quad-gas: CH ₄ (2.5%), O ₂ (18.0%), H ₂ S (25 ppm), CO (100 ppm), 34 L, balance N ₂ (requires REG-DF-1 or REG-0.5)	CG-Q34-4
Quad-gas: CH ₄ (2.5%), O ₂ (18.0%), H ₂ S (25 ppm), CO (100 ppm), 58 L, balance N ₂ (requires REG-DF-1 or REG-0.5)	CG-Q58-4
Demand flow regulator (for use with MicroDock II or Honeywell IntelliDoX®)	REG-DF-1
Calibration gas regulator (0.5 LPM)	REG-0.5
Calibration hose, Tygon (1 ft. / 0.3 m, 1/8 in. I.D., 1/4 in. O.D.)	C2-HOSE1-1
Wall mount (adjustable) for 34, 58, 103 L gas cylinders, red	MK-CG2-58

For a full list of calibration and testing equipment, please see pages 71-73.

Replacement Sensors	Order Number
One-series dummy sensor	SR-DUMM-1S
4R+ dummy sensor	SR-DUMM-4R
Replacement oxygen (O ₂) sensor (one-series)	SR-X1-1S
Replacement combustible (LEL) sensor (filtered, one-series)	SR-W1-1S
Replacement combustible (LEL) sensor (unfiltered, one-series)	SR-W2-1S
Replacement combustible (LEL) sensor (carbon filtered for mining, one-series)	SR-W3-1S
Replacement hydrogen sulfide (H ₂ S) sensor (one-series)	SR-H1-1S
Replacement carbon monoxide (CO) sensor (one-series)	SR-M1-1S
Replacement volatile organic compounds (VOC) PID sensor (4R+)	SR-Q1-4R
Replacement combustible (LEL) IR sensor (4R+)	SR-W4-4R
Replacement carbon dioxide (CO ₂) IR sensor (4R+)	SR-B1-4R
Replacement sulfur dioxide (SO ₂) sensor (4R+)	SR-S1-4R
Replacement ammonia (NH ₃) sensor (4R+)	SR-A1-4R
Replacement hydrogen (H ₂) sensor (4R+)	SR-R1-4R
Replacement chlorine (Cl ₂) sensor (4R+)	SR-C1-4R
Replacement nitrogen dioxide (NO ₂) sensor (4R+)	SR-D1-4R
Replacement hydrogen cyanide (HCN) sensor (4R+)	SR-Z1-4R
Replacement nitrogen monoxide (NO) sensor (4R+)	SR-N1-4R
Replacement carbon monoxide (CO) sensor, hydrogen (H ₂) resistant (4R+)	SR-M2-4R
Sensor conditioning station for 4R+ sensors	T03-0001-000
PID 4R+ sensor top cover removal tool (kit of 3)	G02-0306-003
PID sensor lamp cleaning kit	081-0017-000

Spares & Replacement Parts	Order Number
Pump inlet connector	HU-INCONN
Replacement inlet filter kit (kit of 10)	HU-IN-FIL
Replacement exhaust filter kit (kit of 10)	HU-EX-FIL
Replacement auxiliary pump filter (kit of 5)	M5-AF-K2
Replacement auxiliary pump filter (kit of 100)	M5-AF-K2-100

Honeywell BW™ Ultra Multi-Gas Detector (continued)



Legend	Service Parts	Order Number
A	Replacement front enclosure with LCD gasket (black)	HU-FC-B
A	Replacement front enclosure with LCD gasket (yellow)	HU-FC-Y
B	Replacement LCD kit (includes LCD, LCD holder, and flex connector)	HU-LCD
C	Replacement PCB assembly	HU-PCB
D	Replacement flex PCB	HU-FPCB
E	Replacement Toxic 3 (4R) sensor, see page 50	
F	Replacement exhaust filter kit (kit of 10)	HU-EX-FIL
G	Replacement alligator clip with screw	HU-AG
H	Replacement rechargeable battery pack with screw	HU-BAT
I	Replacement pump inlet connector	HU-INCONN
J	Replacement pump inlet with screw	HU-IN
K	Replacement inlet filter kit (kit of 10)	HU-IN-FIL
L	Replacement screw kit for 5 detectors	HU-SCREW
M	Replacement back enclosure	HU-BC
N	Replacement manifold kit (includes one-series sensor manifold and exhaust manifold assemblies)	HU-MAN
P	Replacement pump (includes pump and 4R+ manifold)	HU-PUMP
	Replacement vibration motor	GA-VM-2

Note: Please refer to the instrument's documentation (shipped with the product or available at www.honeywellanalytics.com) for complete instructions on common service procedures. Improper servicing or maintenance may affect warranty eligibility. Honeywell assumes no liability for damages resulting from improper servicing or maintenance.

Sampling Equipment

- Honeywell BW Clip® Series
- Honeywell BW™ Solo
- Honeywell BW™ MicroClip Series
- Honeywell BW™ Clip4
- GasAlertQuattro
- Honeywell BW™ Max XT II
- GasAlertMicro 5 Series
- Honeywell BW™ Ultra



Manual Aspirator Pumps	Order Number
Manual aspirator pump kit with sampling hose (10 ft./ 3 m, 1/8 in. I.D., 1/4 in. O.D.) <i>Note: no instrument adaptors or probes included.</i>	D4-AS01
Manual aspirator pump kit with probe (1 ft. / 0.3 m) <i>Compatible with GasAlertMicro 5 Series.</i>	GA-AS02
Manual aspirator pump kit with probe (1 ft. / 0.3 m) <i>Compatible with GasAlertQuattro.</i>	QT-AS01
Manual aspirator pump kit with probe (1 ft. / 0.3 m) <i>Compatible with Honeywell BW™ MicroClip detectors.</i>	MC-AS01

Sampling Hose Kits Tube – dim. inner 1/8" outer 1/4"	Order Number
Sampling hose (10 ft. / 3 m, 1/8 in. I.D., 1/4 in. O.D.) kit - with connectors and 3 particulate filters, Tygon tubing	HOSE1-10
Sampling hose (20 ft. / 6.1 m, 1/8 in. I.D., 1/4 in. O.D.) kit - with connectors and 3 particulate filters, Tygon tubing	HOSE1-20
Sampling hose (65 ft. / 19.8 m, 1/8 in. I.D., 1/4 in. O.D.) kit - with connectors and 3 particulate filters, Tygon tubing	HOSE1-65
Sampling hose (75 ft. / 22.8 m, 1/8 in. I.D., 1/4 in. O.D.) kit - with connectors and 3 particulate filters, Tygon tubing <i>Compatible with Honeywell BW™ Max XT II only.</i>	HOSE1-75
Sampling hose (10 ft. / 3 m, 1/8 in. I.D., 1/4 in. O.D.) kit - Teflon® lined, for use with reactive gases- with connectors and 3 particulate filters	HOSE2-10
Sampling hose (20 ft. / 6.1 m, 1/8 in. I.D., 1/4 in. O.D.) kit - Teflon® lined, for use with reactive gases - with connectors and 3 particulate filters	HOSE2-20
Sampling hose (65 ft. / 19.8 m, 1/8 in. I.D., 1/4 in. O.D.) kit - Teflon® lined, for use with reactive gases - with connectors and 3 particulate filters	HOSE2-65
Sampling hose (75 ft. / 22.8 m, 1/8 in. I.D., 1/4 in. O.D.) kit - Teflon® lined, for use with reactive gases - with connectors and 3 particulate filters <i>Compatible with Honeywell BW™ Max XT II only.</i>	HOSE2-75

Note: Check the user manual supplied with your product for maximum sampling distances.



Manual Aspirator Pump
GA-AS02
For remote sampling with the GasAlertMicro 5 Series detectors; complete with probe, hose and aspirator pump



Manual Aspirator Pump
QT-AS01
For GasAlertQuattro remote sampling; complete with probe, hose, aspirator pump and adaptor cap



Sampling Hose
HOSE1-10/20/65/75
Sampling hose with connectors and 3 particulate filters; available in 10 ft. (3 m), 20 ft. (6.1 m), 65 ft. (19.8 m) and 75 ft. (22.8 m) lengths



Manual Aspirator Pump
MC-AS01
For Honeywell BW™ MicroClip detector remote sampling; complete with probe, hose, aspirator pump and adaptor cap

Sampling Equipment



- Honeywell BW Clip® Series
- Honeywell BW™ Solo
- Honeywell BW™ MicroClip Series
- Honeywell BW™ Clip4
- GasAlertQuattro
- Honeywell BW™ Max XT II
- GasAlertMicro 5 Series
- Honeywell BW™ Ultra

Sampling Probes and Accessories	Order Number
Sample probe (1 ft. / 0.3 m) with hydrophobic and particulate filters	GA-PROB1-1
Filter and gasket replacements for sample probe (GA-PROB1-1)	GA-PROB-FIL-K1
BW syringe filter replacements for sample probe (GA-PROB1-1)	GA-SFIL
BW syringe filter (kit of 20) replacements for sample probe (GA-PROB1-1)	GA-SFIL-K1
Replacement particulate filter for GA-PROB1-1 (kit of 25)	GA-PROB-PFIL-K25
Collapsible aluminum sample probe with handle (3.3 ft. / 1 m), Tygon hose (1/8 in. I.D., 1/4 in. O.D.)	GA-CPROB1
Collapsible aluminum sample probe with handle (6 ft. / 1.8 m), Tygon hose (1/8 in. I.D., 1/4 in. O.D.)	GA-CPROB2
Metallic sintered particulate filter	GA-MFILTER
Quick connect fitting spares for hoses (kit of 2)	M0931K
Sampling float	GA-FLOAT
Hydrophobic filter replacement with male connector for manual aspirator pumps	D4-WT-1
Water trap with barbed connectors	WT-2



Sample Probe
GA-PROB1-1



Particulate Filter
GA-MFILTER
Metallic sintered filter



Quick Connect Fittings
M0931K



Sample Probe Filter and Gasket Replacements
GA-PROB-FIL-K1



Syringe Filter Replacement
GA-SFIL



Sampling Float
GA-FLOAT
Ensure no liquid uptake when sampling; two buoys elevate hose inlet above liquid surface.



Particulate Filter Replacements
GA-PROB-PFIL-K25
For GA-PROB1-1, kit of 25



Collapsible Probe
GA-CPROB1 / GA-CPROB2
Available in two probe lengths

Docking, Testing and Data Management

55 Honeywell IntelliDoX®

58 MicroDock II



Docking, Testing and Data Management

55 Honeywell IntelliDoX®

58 MicroDock II





Honeywell IntelliDoX®

Automatic Instrument Management System

Honeywell IntelliDoX®, unmatched performance and customization

The Honeywell IntelliDoX® instrument management system combines smart docking modules with Fleet Manager II software to provide automated instrument management, helping drive productivity, reliability and efficiency. Place the detector in the docking module, and it automatically tests the gas detector and sensors while transferring data to the docking station.

The Honeywell IntelliDoX® delivers quicker bump tests for better productivity. Bump as many as five detectors in less than a minute. That means no more queues of workers waiting to test their detectors. Gang up to five Honeywell IntelliDoX® for even greater productivity, each module can function independently, managing fleets of detectors, all simultaneously.

Efficient when networked via Ethernet or stand-alone, transfer data with a USB drive, the Honeywell IntelliDoX® is the solution for easy record-keeping, to transfer bump tests, peak exposures and other gas-detection data.

Standard Package Contents

- One Honeywell IntelliDoX® module with a factory-installed nest for a compatible portable gas detector, a Single-Inlet Key, and an attached End Plate
- Integrated retractable stand/wall mount
- Quick Reference Guide
- Operator's Manual CD
- Fleet Manager II software CD

Compatible Detectors

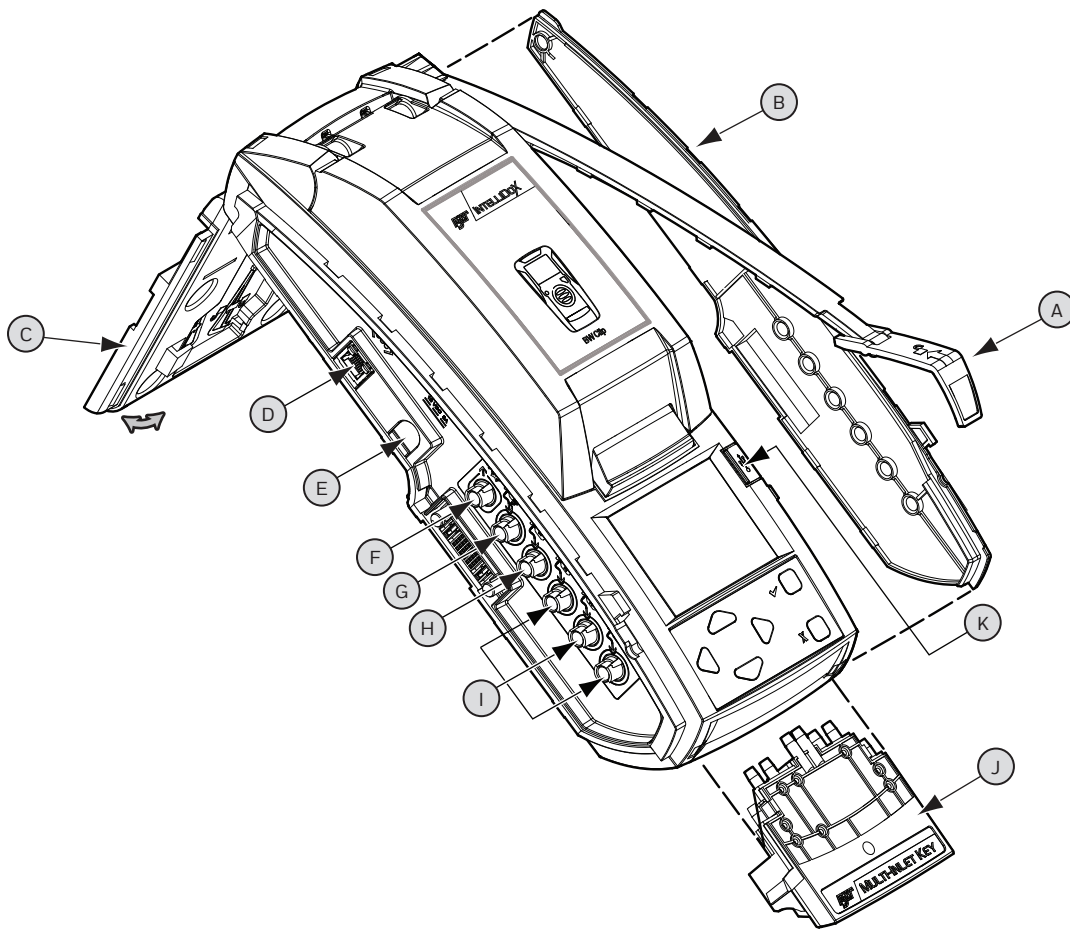
- Honeywell BW™ MicroClip Series
- Honeywell BW™ Clip4
- Honeywell BW Clip® Series

Options & Accessories

Multi-Inlet Key – Configure a single Honeywell IntelliDoX® module to connect multiple calibration gas cylinders.

GENERAL SPECIFICATIONS

SIZE	5.4 x 14.2 x 4.3 in. / 13.8 x 36.2 x 10.9 cm (per docking module)
WEIGHT	4.2 lbs. / 1.91 kg
POWER SUPPLY	12 V / 8.33A ITE
EXTERNAL INTERFACE	1 USB port, 1 ethernet port
PUMP	Flow rate: 350 ml/min (independent pump in each module)
AUTOMATIC TESTS	FastBump: 10 seconds Standard Bump: 40 seconds Calibration Hibernation
LCD DISPLAY COLOR CODING	Yellow "TEST", Green "PASS", Red "FAIL"
CERTIFICATIONS AND APPROVALS	<ul style="list-style-type: none"> CSA: Certificate of Compliance; CSA/UL 61010-1 (3rd Ed) CE: EC Declaration of Conformity; EMC Directive & Low Voltage Directive
WARRANTY	Full two year warranty



Legend Description

Label	Description
A	Latch arm
B	End plate
C	Integrated back panel
D	Ethernet port
E	Power supply port
F	Exhaust outlet
G	Purge inlet
H, I	Gas inlets
J	Multi-Inlet Key
K	USB port

How to Assemble an Honeywell IntelliDoX[®] and prepare for first-time use

1. Connect the purge inlet filter - Ensure that the filter assembly is free of obstructions and defects. Connect the filter assembly to the purge inlet (G). If necessary, attach extension tubing to the filter assembly to draw ambient air from an adjacent fresh air environment.
2. Connect the exhaust tubing - Inspect the exhaust tubing to ensure that it is free of obstructions and defects. Connect the exhaust tubing to the exhaust outlet (F). Ensure that the exhaust tubing is not connected to a negative pressure system, or obstructed in any way.
3. Connect the calibration gas tubing - Inspect the calibration gas tubing to ensure that it is free of obstructions and defects. Connect the calibration gas tubing to a demand flow regulator. Ensure that the calibration gas tubing is connected to a 3L/min Demand Flow regulator. Connect the calibration gas tubing to the first gas inlet (H). Attaching additional calibration gas tubing to an IntelliDoX[®] inlets 2, 3, or 4 (I) requires the attachment of the Multi-Inlet Key (J) on each module that requires this gas.
4. Connect the power - Connect the AC power cord to the power supply. Connect the power supply to the power connection on the IntelliDoX[®] module (E). Plug the AC power cord into a suitable wall outlet. When the power is connected, the IntelliDoX[®] LCD activates and a self-test is performed.

5. Connect to a Computer Network - Insert one end of the Ethernet cable into the Ethernet port on the IntelliDoX[®] module (D). Insert the free end of the Ethernet cable into the network outlet.
6. The integrated back panel of the IntelliDoX[®] (C) may be used as a retractable stand suitable for table top use or as a wall mount to support an individual module or gang of up to five connected modules. Refer to the operator's manual for assembly instructions

How to Assemble Up To Five Connected Modules

1. Unlock and raise the latch arm (A) on the first module. If an end plate (B) is attached, remove it.
2. Align the connection port and outlets on the first module with the connection port and inlets on a second module. Push the modules firmly together to connect.
3. Lower and lock the latch arm (A).
4. Repeat as necessary to connect up to a maximum of five IntelliDoX[®] modules in one gang.
5. When the gang is complete, attach the end plate (B) to the last module in the gang.

Honeywell IntelliDoX[®] Automatic Instrument Management System (continued)

Honeywell IntelliDoX [®] Docking System	Order Number
Honeywell IntelliDoX [®] docking station for Honeywell BW Clip [®] Series	DX-CLIP
Honeywell IntelliDoX [®] docking station for Honeywell BW [™] Solo	DX-SOLO
Honeywell IntelliDoX [®] docking station for Honeywell BW [™] Clip4	DX-BWC4
Honeywell IntelliDoX [®] docking station for Honeywell BW [™] MicroClip XT, XL or X3	DX-MCLP
Honeywell IntelliDoX [®] docking station for Honeywell BW [™] Max XT II	DX-MAXXT
Honeywell IntelliDoX [®] docking station for Honeywell BW [™] Ultra	DX-ULTRA
Honeywell IntelliDoX [®] enabler kit, NA version (North America) <i>Includes power supply with region-specific AC power cord, ethernet cable, inlet (purge) filter assembly, 3 ft. / 1 m calibration gas tubing, 3 ft. / 1 m purge gas tubing, 15 ft. / 4.5 m exhaust tubing and quick connect fittings.</i>	DX-ENBL-NA

Note: One Honeywell IntelliDoX[®] enabler kit is required for each docking system. Each docking system can support up to 5 Honeywell IntelliDoX[®] modules.

Honeywell IntelliDoX [®] Accessories	Order Number
Honeywell IntelliDoX [®] Mobile Case (Standard) supports 1 or 2 Honeywell IntelliDoX [®] units and two 34L cylinders. <i>Honeywell IntelliDoX[®] and Enabler Kit sold separately.</i>	DX-CASE
Honeywell IntelliDoX [®] Mobile Case (Large) supports 1 or 2 Honeywell IntelliDoX [®] units and two 58L cylinders. <i>Honeywell IntelliDoX[®] and Enabler Kit sold separately.</i>	DX-CASE1
Honeywell IntelliDoX [®] Single-Inlet Key	DX-SI-KEY
Honeywell IntelliDoX [®] Multi-Inlet Key	DX-MI-KEY
AC power supply for Honeywell IntelliDoX [®] , NA version (North America)	DX-PS-NA
Honeywell IntelliDoX [®] vehicle power adaptor	DX-VPA
Demand flow regulator	REG-DF-1
Demand flow regulator for refillable cylinders, CGA connector	REG-DF-2
Demand flow regulator for disposable steel cylinders	REG-DF-3

Honeywell IntelliDoX [®] Spares & Replacements	Order Number
Honeywell IntelliDoX [®] universal latch arm (kit of 5)	DX-ARM
Honeywell IntelliDoX [®] universal end plate (kit of 5)	DX-COVER
Honeywell IntelliDoX [®] filters and hoses kit	DX-FILTERS
Honeywell IntelliDoX [®] retractable stand/wall mount (kit of 5)	DX-STAND

What's in the Box

Honeywell IntelliDoX[®] Docking Module

Each Honeywell IntelliDoX[®] Docking Module package contains:

1. One Honeywell IntelliDoX[®] module with a factory-installed nest for a compatible portable gas detector, a single-inlet key and an attached end plate;
2. Integrated retractable stand / wall mount;
3. One printed Quick Reference Guide;
4. One CD containing the Honeywell IntelliDoX[®] Operator's Manual in PDF format; and
5. One CD containing Fleet Manager II software, version 4.x or higher.

The power adapter, power cord, calibration gas tubing, exhaust tubing, and user manual are packaged separately as the Honeywell IntelliDoX[®] Enabler Kit.

If the Honeywell IntelliDoX[®] module is damaged or if parts are missing, contact BW Technologies or an authorized distributor immediately.

Honeywell IntelliDoX[®] Enabler Kit

One Enabler Kit is required for each stand-alone Honeywell IntelliDoX[®] module or gang of up to 5 connected modules.

Each Honeywell IntelliDoX[®] Enabler Kit package contains:

1. One power supply and AC power cord appropriate to shipping destination;
2. One ethernet cable;
3. Calibration gas cylinder tubing and purge gas tubing, 4.6 meters (15 feet);
4. Quick connect fittings;
5. Inlet filters;
6. Assorted connectors;
7. One printed Quick Reference Guide.
8. One CD containing the Honeywell IntelliDoX[®] Operator Manual in PDF format; and
9. One CD containing Fleet Manager II software

If Enabler Kit parts are damaged or missing, or if additional Enabler Kits are required, contact BW Technologies or an authorized distributor immediately.



MicroDock II

Automatic Test and Calibration Station

For BW Technologies by Honeywell brand portable gas detectors only

Cost effective calibration and bump test management

The MicroDock II is an easy, cost-effective way to bump-test, calibrate, charge and manage records for BW portable gas detectors. With Fleet Manager II software, download information faster than ever from the MicroDock II. Improved functionality allows you to create accurate and user-friendly reports, print receipts of calibration, sort and graph data, archive information and manage your fleet of detectors. Compliance has never been easier.

Standard Package Contents (included with base station)

- Four replaceable C-cell alkaline batteries
- 128 MB MultiMediaCard (MMC), inserted
- USB cable
- Two to four calibration gas hoses with quick connect fittings (dependant upon base station inlet configuration)
- Inlet filter assembly
- Base station power supply
- Charging module power supply (as specified in charging module configuration)
- MicroDock II Quick Reference Guide
- Fleet Manager II software CD
- MicroDock II User Manual CD

Function	Honeywell BW™ MicroClip	GasAlertQuattro	Honeywell BW™ Max XT II	GasAlertMicro 5 Series
Bump check	•	•	•	•
Calibrate	•	•	•	•
Configure	•	•	•	•
Download Events	•	•	•	
Download Data	•	•	•	
Charging	•	•	•	•
Non-Charging				•

GENERAL SPECIFICATIONS	
SIZE	8.3 x 10.4 x 3.2 in. / 21.2 x 26.3 x 8.2 cm (base station plus one docking module)
POWER SUPPLY	6V wall adaptor or four C-cell batteries
EXTERNAL INTERFACE	USB 2.0 interface for PC (USB 2.0 full speed)
PUMP	DC motor, micro-diaphragm; 6V PCB mount Flow rate 400 ml/min. (typically)
SOLENOID	Built-in (docking modules)
COMMAND KEYS	Base station - Menu navigation Docking module - One touch bump-test initiation - One touch calibration initiation - One touch data transfer (specific products)
LED INDICATORS	Yellow "TEST", Green "PASS", Red "FAIL"
CERTIFICATIONS AND APPROVALS	<p>UL: Ordinary Location approved IEC 61010 / C22.2 No. 61010</p> <p>CE: European Conformity</p>
WARRANTY	Full two year warranty



MicroDock II

Automatic Test and Calibration Station

For BW Technologies by Honeywell brand portable gas detectors only

Module Configuration	Order Number
Base station with Honeywell BW™ MicroClip XL/XT module (charging) with power supply and 2 inlets	DOCK2-2-1C1P-00-G
Base station with Honeywell BW™ MicroClip XL/XT module (charging) with no power supply and 2 inlets	DOCK2-2-1P-00-G
Base station with GasAlertQuattro module (charging) with no power supply and 2 inlets	DOCK2-2-1N-00-G
Base station with GasAlertQuattro module (charging) with power supply and 2 inlets	DOCK2-2-1C1N-00-G
Base station with Honeywell BW™ Max XT II module (charging) with power supply and 2 inlets	DOCK2-2-1C1M-00-G
Base station with Honeywell BW™ Max XT II module (charging) with no power supply and 2 inlets	DOCK2-2-1M-00-G
Base station with GasAlertMicro 5 Series module (charging) with power supply and 2 inlets*	DOCK2-2-1C1K-00-G
Base station with GasAlertMicro 5 Series module (charging) with power supply and 3 inlets*	DOCK2-3-1C1K-00-G
Base station with GasAlertMicro 5 Series module (non-charging) with 2 inlets*	DOCK2-2-1J-00-G
Base station with GasAlertMicro 5 Series module (non-charging) with 3 inlets*	DOCK2-3-1J-00-G

Accessory Docking Modules	Order Number
Base station with 2 gas inlets without power supply	DOCK2-2-00-G
Base station with 3 gas inlets without power supply	DOCK2-3-00-G
Base station with 4 gas inlets without power supply	DOCK2-4-00-G
Base station with 5 gas inlets without power supply	DOCK2-5-00-G
Honeywell BW™ MicroClip XL/XT docking module (charging with power supply)	DOCK2-0-1C1P-00-G
Honeywell BW™ MicroClip XL/XT docking module (charging - no power supply)	DOCK2-0-1P-00-G
GasAlertQuattro docking module (charging - no power supply)	DOCK2-0-1N-00-G
GasAlertQuattro docking module (charging with power supply)	DOCK2-0-1C1N-00-G
Honeywell BW™ Max XT II / Honeywell BW™ Max XT docking module (charging with power supply)	DOCK2-0-1C1M-00-G
Honeywell BW™ Max XT II / Honeywell BW™ Max XT docking module (charging - no power supply)	DOCK2-0-1M-00-G
GasAlertMicro 5 Series docking module (charging with power supply)*	DOCK2-0-1C1K-00-G
GasAlertMicro 5 Series docking module (charging)*	DOCK2-0-1K-00-G
GasAlertMicro 5 Series docking module*	DOCK2-0-1J-00-G

*Not compatible with ClO₂ or O₃.

Note: Listed above are commonly ordered instrument configurations. For more MicroDock II configurations, see pages 110-111. To create a custom MicroDock II system, use the configurator table on the next page or contact Honeywell Analytics for a copy of the electronic pricing and order number configurator. One demand flow regulator must be ordered separately for each gas cylinder used with the system. Systems with one or more charging modules require one additional charging power supply (separate from the base station power supply).

MicroDock II Automatic Test and Calibration Station (continued)

For BW Technologies by Honeywell brand portable gas detectors only

MicroDock II Order Number and Pricing Configurator

Base Station		
DOCK2	Base station (with power supply)	
Inlet Configuration		
2	1 fresh air, 1 calibration	
3	1 fresh air, 2 calibration	
4	1 fresh air, 3 calibration	
5	1 fresh air, 4 calibration	
<i>Note: One Demand Flow Regulator must be ordered separately for each bottle of gas to be used with MicroDock II.</i>		
Docking Module Configuration		
Choose up to any 6 docking modules in any combination (e.g. "-1C2K3P-")		
Qty/Code	Description	Qty
1 C	Charging power supply <i>(required for any charging module(s) selected)</i>	
__ D	GasAlert Extreme module(s)*	__x
__ J	GasAlertMicro 5 Series module(s) without charging*	__x
__ K	GasAlertMicro 5 Series module(s) with charging*	__x
__ M	Honeywell BW™ Max XT II module(s) with charging	__x
__ N	GasAlertQuattro module(s) with charging	__x
__ P	Honeywell BW™ MicroClip XL / XT module(s) with charging	__x
<i>*Not compatible with ClO₂ or O₃.</i>		
Portable Kit Configuration		
Choose your portable kit option. Gas sold separately.		
00	No kit. Base station and docking module(s) only.	
Hard Case Kits – Holds 1 base station, 1 docking module and a 34 L cylinder of calibration gas		
01	Kit with 1 DFR (demand flow regulator), no gas	
Heavy Duty Case Kits – Holds 1 base station, 1-3 docking module(s) and 1-3 58 L cylinder(s) of calibration gas in a foam-lined, waterproof heavy-duty case		
03	Kit with 1 DFR, no gas	

DOCK2	-		-		-	G
-------	---	--	---	--	---	---

For example, the order number for a MicroDock II configured with base station, 2 inlets, 1 additional power supply for charging modules, 2 GasAlertMicro 5 Series charging modules, 3 Honeywell BW™ MicroClip XL/XT modules and no portable kit option would be DOCK2-2-1C2K3P-00-G.

MicroDock II Automatic Test and Calibration Station (continued)

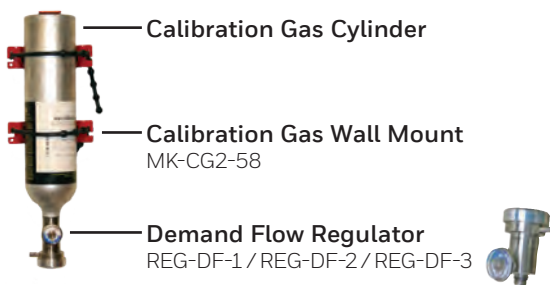
For BW Technologies by Honeywell brand portable gas detectors only

Accessories and Spares	Order Number
Network USB communication device	DOCK2-LAN-1P-NA
Demand flow regulator	REG-DF-1
Demand flow regulator for refillable cylinders, CGA connector	REG-DF-2
Demand flow regulator for disposable steel cylinders	REG-DF-3
Wall mount adaptor (kit of 2) modules and base station	WMA-DOCK
12 Vdc Vehicle adaptor cable for base station power	GA-V-CHRG4
Replacement power supply for charging modules	POWER-UPS-01

Service Parts	Order Number
Heavy duty carrying case with wheels with space for three modules and three 58 L gas cylinders	DOCK2-CC2
Hard-sided carrying case with space for one module and one 34 L gas cylinder	DOCK2-CC1
Replacement diffusion cover adaptor	DOCK2-DA-1
Replacement GasAlertMicro 5 Series docking module lid assembly	DOCK2-M5LID
Replacement inlet filter	DOCK-IF-1
Replacement multimedia card	DOCK2-MMC
Replacement rubber seal for Honeywell BW™ Max XT II docking module inlet slider	XT-RSD-10

Note: Please refer to the instrument's documentation (shipped with the product or available at www.honeywellanalytics.com) for complete instructions on common service procedures. Improper servicing or maintenance may affect warranty eligibility. Honeywell assumes no liability for damages resulting from improper servicing or maintenance.

Note: For calibration gas and regulators for this product, please see pages 71-73.



Hard Case Kit

Use the configurator table on the left page to create a custom MicroDock II hard case kit (gas sold separately)



Heavy Duty Case Kit

Use the configurator table on the left page to create a custom MicroDock II heavy duty case kit (gas sold separately)

Connected Worker Solutions

- 64 Honeywell Safety Suite
- 65 ConneXt Loneworker
- 66 ProRAE Guardian
- 67 Safety and Productivity Apps
- 69 Legacy Fleet Management



Connected Worker Solutions

- 64 Honeywell Safety Suite
- 65 ConneXt Loneworker
- 66 ProRAE Guardian
- 67 Safety and Productivity Apps
- 69 Legacy Fleet Management





Connected Worker Solutions

Software offerings that keep your workers safer and make the maintenance of your portable gas detectors more efficient and cost-effective

Honeywell offers several solutions for increasing worker safety and more effectively managing your portable gas detectors using connected (including wireless) instruments and the Honeywell productivity software described below. From changing alarm thresholds to real-time monitoring of gas exposure events, these solutions can keep workers safer, enable in-the-field changes to instrument operation, and provide immediate notification of the status and location of workers.



Connected Worker Solution	Description	Application
Honeywell Safety Suite Device Configurator <i>(page 64)</i>	Basic fleet management and event reporting for your BW and RAE portable gas detectors	PC-based, single facility fleet management for BW and RAE portable detectors
ConneXt Loneworker - Facility <i>(page 65)</i>	Real-time monitoring of isolated workers at a specific site(s)	Cloud-based monitoring of gas readings, alarms, man-down status, compliance status and location from BW and RAE portable detectors deployed within a facility
ConneXt Loneworker - Vehicle <i>(page 65)</i>	Real-time monitoring of isolated workers traveling to and working at remote locations	Cloud-based monitoring of gas readings, alarms, man-down status, compliance status and location from MicroRAE portable detectors worn at remote locations
ProRAE Guardian Cloud <i>(page 66)</i>	Real-time detection and sharing of gas event data, including worker location and status, for BW and RAE wireless portable gas detectors	Cloud-based remote monitoring across single or multiple sites. Data is collected automatically from wireless BW and RAE portable detectors
Safety Communicator App <i>(page 67)</i>	Smartphone and tablet app that enables real-time communication between wireless BW and RAE portable gas detectors and a remote monitoring system	Personal communication hub which collects instrument readings and alarms from BW and RAE portable detectors over Bluetooth (BLE) and transmits in real time to a remote system over a 3G/4G cellular communications network
Device Configurator App <i>(page 67)</i>	Smartphone and tablet app for managing device configurations, updating firmware, and downloading and sharing data for wireless BW and RAE portable gas detectors	Real-time, anywhere access and configuration of BW and RAE portable detectors
Honeywell BW™ Connect <i>(page 68)</i>	Instrument accessory for adding wireless capabilities (BLE) to non-wireless BW multi-gas portable gas detectors	Add wireless communications to the Honeywell BW™ MicroClip Series and the Honeywell BW™ Max XT II portable detectors
Fleet Manager II <i>(page 69)</i>	Legacy system for basic fleet management for BW portable gas detectors	PC-based, single facility fleet management for BW portable detectors
IQ Management Software Suite <i>(page 69)</i>	Legacy system for basic fleet management for ToxiPro portable gas detectors	PC-based, single facility fleet management for ToxiPro portable detectors
MultiPro Software <i>(page 69)</i>	Legacy system for basic fleet management for MultiPro portable gas detectors	PC-based, single facility fleet management for MultiPro portable detectors

Honeywell Safety Suite

Automated Fleet Management

Safety Suite is Honeywell's newest software offering for maintaining your fleet of portable gas detectors and collecting operating results. Safety Suite provides instrument and docking station configuration for your new BW or RAE portable gas detectors, as well as data collection from both new and legacy BW and RAE instruments and docking stations. Reporting can combine maintenance activities—such as bump test and calibration histories—or toxic gas exposure information, for the Honeywell portable gas detectors you already have and those you use may add to your facilities in the future. Safety Suite enables comprehensive fleet management for all of your Honeywell portable gas detectors.

Find out more at:

<https://pages8.honeywell.com/safetysuite.html#comparison>



Safety Suite Device Configurator

Quick and precise management for your Honeywell gas detector fleet

Safety Suite Device Configurator is a free software offering that provides basic fleet management and reporting capabilities. Once installed on a PC, it communicates with Honeywell BW and RAE gas detectors and docking stations to configure and collect results for all the instruments and docks at the location.

In your day-to-day work, you must ensure that workers comply with government regulation and corporate-issued safety policies. As part of this compliance, workers must have equipment that has been inspected for safety and training that certifies them to complete certain tasks.

Maybe you're already spending too much time performing administration tasks. Your current system, call it repetitive, bulky, or tedious, can keep you from getting out of your office, developing safety policies, or otherwise collaborating with operations to improve your working environment.

The Honeywell Safety Suite Device Configurator software enables quick and precise management and maintenance of your Honeywell portable gas detector fleet, both RAE and BW product lines.

An easy-to-use software solution from Honeywell to increase your productivity – free of charge.

Safety Suite Device Configurator can be downloaded from:

<https://pages8.honeywell.com/safetysuite-device-configurator.html#download>

ConneXt Loneworker

Real-time visibility on the safety, location and productivity of your isolated workers

With most portable gas detectors, only the person wearing the device is alerted to toxic gas, while the safety manager or operations manager may be delayed in receiving the information and planning the right response. But with ConneXt Loneworker, you can see the gas readings, alarms, man-down status, compliance status, location and other data on each lone worker's detector at any time — all in an easy, map-based display. And if there's a problem, you will receive an instant alert, so you can take action.

With ConneXt Loneworker, your workers can operate confidently and productively, knowing that someone is always looking out for their safety. ConneXt Loneworker combines Honeywell wireless portable gas detectors with remote monitoring software, so you can:

- Continually Monitor for Safety
- Get Man Down Notification
- Receive Gas Alarm Notification
- Quickly Respond to Remote Workers
- Two-way Text Message
- Automate Check-in/Check-out

Find out more at: <https://www.honeywellanalytics.com/en/products/ConneXt-Loneworker>



Loneworker Facility

Do you have workers operating alone in tank farms, storage facilities or other parts of your property? Do workers in your plant sometimes slip out of sight or sound to check equipment? Use Loneworker Facility to monitor their safety and location in near real time. Just combine a Bluetooth-enabled BW or RAE portable gas detector with a smartphone and our remote monitoring ProRAE Guardian Cloud software.

Download Honeywell's Safety Communicator mobile app, which relays data from the gas detector to the ProRAE Guardian Cloud software. Then simply pair the smartphone with the detector.

Contact your Honeywell Regional Sales Manager for pricing and availability.

Loneworker Vehicle

Do you have lone workers who spend their days alone in remote areas, driving from one site to another? Whether they're performing tasks at drill pads, cell towers or wind turbines, equip them with Loneworker Vehicle for near real time safety and location data, plus vehicle telematics.

ConneXt Vehicle Loneworker Solutions	Order Number
Single-Gas H ₂ S Detector	CNX1-H-NA-LW
Multi-Gas Detector	CNX4-NA-LW

Contact your Honeywell Regional Sales Manager for a complete list of optional equipment and pricing.

ProRAE Guardian Cloud

Real Time Event Monitoring

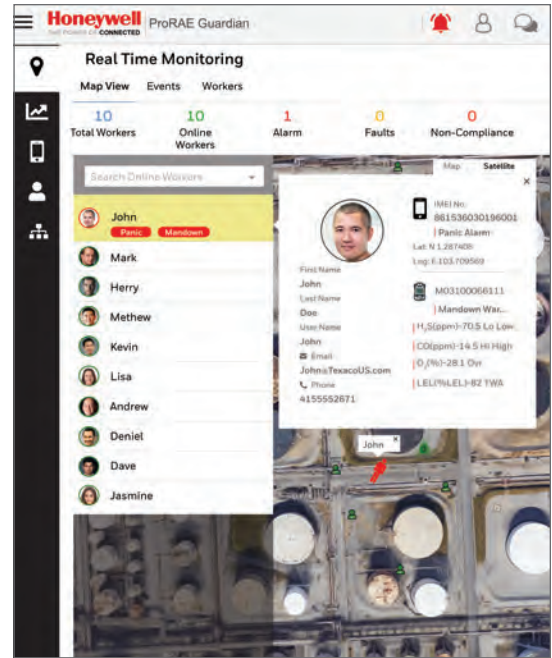
Simplify remote detection of toxic gas exposures with this cloud-based service for real-time detection and sharing of gas data across multiple remote sites. The ProRAE Guardian Cloud service from Honeywell is designed for gas detection applications in a broad array of industries that require access to real-time critical gas detection data, including across geographically dispersed teams. ProRAE Guardian Cloud empowers decision makers with critical emergency data in real time for appropriate response. It can aggregate data from multiple facilities in the field and share that data with remote viewers both inside and outside of a corporate firewall.

Users can easily use web browsers on their PCs, tablets, smartphones and other mobile devices to access real-time sensor data from anywhere. ProRAE Guardian Cloud requires minimal IT support, and no additional hardware, maintenance, or configuration on the end-user's part. ProRAE Guardian Cloud is hosted in a Tier-1, redundant-backup, fail-safe environment.

- Simplifies sharing of gas and radiation threat data
- Integrates data from multiple host installations
- Shares data with remote web-viewers in real time
- No extra hardware or maintenance costs
- Professionally hosted by Honeywell
- Fail-safe environment delivers high availability
- Minimal IT involvement or investment
- No setup or configuration required by the user
- Always up to date
- Works inside and outside of corporate firewall

ProRAE Guardian Cloud is subscription based, giving you the ability to easily define the number of instruments—either BW, RAE or both—that can be concurrently monitored for real-time instrument alarms.

Find out more at <https://www.raesystems.com/products/prorae-guardian-real-time-wireless-gas-detection-software>



ProRAE Guardian Cloud	Order Number
ProRAE Guardian Cloud	S01-1000-210

*Contact Customer Service or your Honeywell Regional Sales Manager for current pricing for Honeywell ProRAE Guardian Cloud licenses.

Safety and Productivity Apps

Honeywell has developed the following apps for use with your Apple or Android devices. These apps use a Bluetooth® connection to pair with one or more portable gas detectors to

- allow you to view existing device configuration and alarm information.
- change device configurations.
- forward device alarms and associated information to monitoring applications such as ProRAE Guardian Cloud.
- provide enhanced functionality such as Panic Alarms.



The apps work with Bluetooth/Bluetooth Low Energy (BLE) capable Honeywell portable gas detectors from BW and RAE. Some detectors have the wireless capability built-in, either by default or as an option. These detectors can be directly paired with an Apple or Android smartphone or tablet. Other detectors, such as the Honeywell BW™ MicroClip Series or the Honeywell BW™ Max XT II, can use the new Honeywell BW™ Connect wireless accessory to pair with the smartphone or tablet. The Honeywell BW™ Connect conveniently attaches to the back of these detectors and provide the wireless interface between the detector and Apple/Android device.

These apps currently support a number of BW and RAE portable detectors, and more are being added. Consult your Honeywell Regional Sales Manager for details.

Safety Communicator App

Personal information and communication hub

Safety Communicator (SC) is an app for both industrial-grade and non-industrial-grade smartphones and tablets. Available for both Android and iOS devices, it enables real-time communication between a worker's personal safety instruments and a remote monitoring system—such as ProRAE Guardian Cloud*. The Android/iOS device and app act as a personal communication hub for a worker, which collects instrument readings and alarms from instruments over Bluetooth (BLE) and transmits in real time to a remote system over a 3G/4G cellular communication network. To further promote worker safety, the app also transmits a worker's information and location to the remote system, which allows safety managers to quickly react and provide necessary assistance in case of an emergency.

Free download:



*Note: A license is required for each connection to ProRAE Guardian Cloud.

Device Configurator App

Mobile Device Management

Device Configurator (DC) is a mobile app for tablets and smartphones for managing device configurations, updating firmware, and downloading & sharing data. DC enables you to provide

- enhanced safety, by ensuring detector firmware and settings are up-to-date.
- better productivity, through efficient access to device information, easier device configuration and maintenance, and on-demand data sharing.
- improved compliance, using immediate access to device configuration change history and data logs.

Free download:



Safety and Productivity Apps (continued)

Honeywell BW™ Connect

Real-Time Visibility Meets Full-Time Compliance*

While Honeywell BW™ Connect is an accessory, not an app, it works hand-in-hand with our apps to provide wireless capabilities to non-wireless BW portable detectors.

With the new Honeywell BW™ Connect you can transform your dependable BW gas detectors into wireless devices in the blink of an eye—this adapter can be attached quickly to your current detectors and paired with a smartphone or tablet via Bluetooth.



An easy-to-use, cost-effective addition compatible with the Honeywell Safety Communicator and Device Configurator apps, Honeywell BW™ Connect grants real-time visibility of your workers' safety status and location so you have confidence that you can maintain complete situational awareness and full compliance.

Honeywell is giving compliance-focused customers an easy, affordable way to bring connectivity to their existing fleet of reliable BW multi-gas detectors. With the Honeywell BW™ Connect, workers have real time situational awareness with real time visibility on gas detectors to proactively ensure safety, compliance and productivity.

- Monitor gas detector readings from anywhere with real-time monitoring software
- More accurate decisions knowing the location of the worker
- Alarm notifications
- Compliance level, notification of bump and calibration level provided through software

Honeywell BW™ Connect is compatible with the following BW multi-gas detectors:

- Honeywell BW™ MicroClip XL
- Honeywell BW™ MicroClip X3
- Honeywell BW™ Max XT II

Wireless Connectivity	Order Number
Honeywell BW™ Connect wireless adapter	BW-CONNECT

**Note: A license is required to connect to real-time monitoring solutions such as ProRAE Guardian Cloud.*

Legacy Fleet Management

For those looking for the latest version of Honeywell's legacy fleet management solutions, download the software as indicated below. These solutions are designed specifically for a subset of Honeywell's BW portable gas detectors and will not be extended to include newer or future instruments.

Fleet Manager II

Fleet Manager II supports several Honeywell BW portable gas detectors but is a pc-based only solution. It has been superseded by Honeywell Safety Suite fleet management software, but may be adequate for the needs of some of our customers.

Free download: <http://www.honeywellanalytics.com/~media/honeywell-analytics/software/BWFleetManager2201807314560.zip?la=en>

IQ Management Software Suite

The IQ Management Software Suite supports only the Honeywell ToxiPro single-gas portable detector but is a pc-based only solution. It has been superseded by Honeywell Safety Suite fleet management software, but may be adequate for the needs of some of our customers.

IQ Management Suite

Free download: <http://www.honeywellanalytics.com/~media/honeywell-analytics/software/iqmanagementsuitesetup112.zip?la=en>

BioTrak PC Software


Free download: <https://pages8.honeywell.com/rs/790-ZBQ-110/images/BioTraklv90050109191157.zip>

MultiPro Software


MultiPro Software supports only the Honeywell MultiPro multi-gas portable detector but is a pc-based only solution. It has been superseded by Honeywell Safety Suite fleet management software, but may be adequate for the needs of some of our customers.

Free download: <http://www.honeywellanalytics.com/~media/honeywell-analytics/products/multipro/software/mp-iq-express-dock-pc-software-v71011274.zip?la=en>

Calibration Equipment

- 
- 71 Group A
(Honeywell BW Clip® Series,
Honeywell BW™ Solo,
Honeywell BW™ MicroClip Series,
GasAlertQuattro, Honeywell BW™
Max XT II, GasAlertMicro 5 Series)
- 74 Group B
(ToxiPro, MultiPro, PHD6)

Calibration Equipment

- 
- 71 Group A
(Honeywell BW Clip® Series,
Honeywell BW™ Solo,
Honeywell BW™ MicroClip Series,
GasAlertQuattro, Honeywell BW™
Max XT II, GasAlertMicro 5 Series)
- 74 Group B
(ToxiPro, MultiPro, PHD6)



Calibration Equipment (Group A)

- Honeywell BW Clip® Series
- Honeywell BW™ Solo
- Honeywell BW™ MicroClip Series
- Honeywell BW™ Clip4
- GasAlertQuattro
- Honeywell BW™ Max XT II
- GasAlertMicro 5 Series
- Honeywell BW™ Ultra

Quint Gas Cylinders (5-gas mix)	Cylinder Material	Regulator	Liters	Shelf Life (Warranty)	Order Number
CH ₄ (2.5%), O ₂ (18.0%), H ₂ S (25 ppm), CO (100 ppm), CO ₂ (0.5%)	Aluminum	REG-DF-1 or REG-0.5	34	24 months	CG-QT34-1
CH ₄ (2.5%), O ₂ (18.0%), H ₂ S (25 ppm), CO (100 ppm), CO ₂ (0.5%)	Aluminum	REG-DF-1 or REG-0.5	58	24 months	CG-QT58-1
Quad Gas Cylinders (4-gas mix)	Cylinder Material	Regulator	Liters	Shelf Life (Warranty)	Order Number
CH ₄ (2.5%), O ₂ (18.0%), H ₂ S (25 ppm), CO (100 ppm)	Aluminum	REG-DF-1 or REG-0.5	34	24 months	CG-Q34-4
CH ₄ (2.5%), O ₂ (18.0%), H ₂ S (25 ppm), CO (100 ppm)	Aluminum	REG-DF-1 or REG-0.5	58	24 months	CG-Q58-4
CH ₄ (1.25% / 50% LEL, pentane equivalent), O ₂ (18.0%), H ₂ S (25 ppm), CO (100 ppm)	Aluminum	REG-DF-1 or REG-0.5	34	24 months	CG-Q34-4JK
CH ₄ (1.25% / 50% LEL, pentane equivalent), O ₂ (18.0%), H ₂ S (25 ppm), CO (100 ppm)	Aluminum	REG-DF-1 or REG-0.5	58	24 months	CG-Q58-4JK
Triple Gas Cylinders (3-gas mixes)	Cylinder Material	Regulator	Liters	Shelf Life (Warranty)	Order Number
CO (100 ppm), CH ₄ (2.5% LEL), O ₂ (18.0%)	Steel	REG-DF-3 or REG2-0.5	34	36 months	CG-TR34-1
CO (100 ppm), CH ₄ (2.5% LEL), O ₂ (18.0%)	Steel	REG-DF-1 or REG-0.5	103	36 months	CG-TR103-1
H ₂ S (25 ppm), CH ₄ (2.5% LEL), O ₂ (19.0%)	Aluminum	REG-DF-1 or REG-0.5	58	24 months	CG-JXH
Dual Gas Cylinders (2-gas mix)	Cylinder Material	Regulator	Liters	Shelf Life (Warranty)	Order Number
CH ₄ (2.5% / 50% LEL), O ₂ (18.0%)	Aluminum	REG-DF-1 or REG-0.5	58	36 months	CG2-JX-58

Note: Regulators sold separately. For a complete list of available Calibration Equipment, refer to the Full Product Index on pages 112-114. For ClO₂ and O₃ gas options, contact Honeywell Analytics Service.

Calibration Equipment (Group A) (continued)

For BW Technologies by Honeywell brand portable gas detectors only: Honeywell BW Clip® Series, Honeywell BW™ Solo, Honeywell BW™ MicroClip Series, Honeywell BW™ Clip4, GasAlertQuattro, Honeywell BW™ Max XT II, GasAlertMicro 5 Series, and Honeywell BW™ Ultra

Single Gas Cylinders	Cylinder Material	Regulator	Liters	Shelf Life (Warranty)	Order Number
Ammonia (NH ₃ , 100 ppm)	Aluminum	REG-DF-1 or REG-1.0	58	18 months	CG2-A-100-58
Ammonia (NH ₃ , 50 ppm)	Aluminum	REG-DF-1 or REG-1.0	34	18 months	CG2-A-50-34
Ammonia (NH ₃ , 50 ppm)	Aluminum	REG-DF-1 or REG-1.0	58	18 months	CG2-A-50-58
Carbon dioxide (CO ₂ , 1.0% v. / 10,000 ppm)	Steel	REG-DF-3 or REG2-0.5	34	36 months	CG2-B-10K-34
Carbon monoxide (CO, 100 ppm)	Steel	REG-DF-3 or REG2-0.5	34	36 months	CG2-M-100-34
Carbon monoxide (CO, 100 ppm)	Aluminum	REG-DF-1 or REG-0.5	58	36 months	CG2-M-100-58
Carbon monoxide (CO, 100 ppm)	Aluminum	REG-DF-1 or REG-0.5	103	36 months	CG2-M-100-103
Chlorine (Cl ₂ , 10 ppm)	Aluminum	REG-DF-1 or REG-1.0	34	9 months	CG2-C-10-34
Chlorine (Cl ₂ , 2 ppm)	Aluminum	REG-DF-1 or REG-1.0	34	9 months	CG2-C-2-34
Chlorine (Cl ₂ , 5 ppm)	Aluminum	REG-DF-1 or REG-1.0	34	9 months	CG2-C-5-34
Chlorine (Cl ₂ , 5 ppm)	Aluminum	REG-DF-1 or REG-1.0	58	9 months	CG2-C-5-58
Ethylene oxide (ETO / C ₂ H ₄ O, 10 ppm)	Aluminum	REG-DF-1 or REG-1.0	58	12 months	CG2-E-10-58
Hydrogen (H ₂ , 2.0 %)	Steel	REG-DF-1 or REG-0.5	103	36 months	CG2-F-2.0-103
Hydrogen chloride (HCl, 10 ppm)	Aluminum	REG-DF-1 or REG-0.5	58	12 months	CG2-L-10
Hydrogen cyanide (HCN, 10 ppm)	Aluminum	REG-DF-1 or REG-0.5	34	18 months	CG2-Z-10-34
Hydrogen cyanide (HCN, 10 ppm)	Aluminum	REG-DF-1 or REG-0.5	58	24 months	CG2-Z-10-58
Hydrogen sulfide (H ₂ S, 25 ppm)	Aluminum	REG-DF-1 or REG-0.5	34	24 months	CG2-H-25-34
Hydrogen sulfide (H ₂ S, 25 ppm)	Aluminum	REG-DF-1 or REG-0.5	58	24 months	CG3-H-25-58
Hydrogen sulfide (H ₂ S, 25 ppm)	Aluminum	REG-DF-1 or REG-0.5	58	24 months	G0042-H25
Hydrogen sulfide (H ₂ S, 50 ppm)	Aluminum	REG-DF-1 or REG-0.5	58	24 months	CG2-H-50-58
Isobutylene (100 ppm)	Aluminum	REG-DF-1 or REG-0.5	34	36 months	CG2-IB-100-34AL
Isobutylene (100 ppm)	Aluminum	REG-DF-1 or REG-0.5	58	36 months	CG2-IB-100-58AL
Methane (CH ₄ , 2.5% v. / 50% LEL)	Steel	REG-DF-3 or REG2-0.5	34	36 months	CG2-J-2.5-34
Methane (CH ₄ , 2.5% v. / 50% LEL)	Aluminum	REG-DF-1 or REG-0.5	34	36 months	CG2-J-2.5-34AL
Methane (CH ₄ , 2.5% v. / 50% LEL)	Aluminum	REG-DF-1 or REG-0.5	58	36 months	CG2-J-2.5-58
Methane (CH ₄ , 2.5% v. / 50% LEL)	Steel	REG-DF-1 or REG-0.5	103	36 months	CG2-J-2.5
Nitric oxide (NO, 50 ppm)	Aluminum	REG-DF-1 or REG-0.5	34	18 months	CG2-N-50-34
Nitrogen dioxide (NO ₂ , 10 ppm)	Aluminum	REG-DF-1 or REG-1.0	34	6 months	CG2-D-10-34
Nitrogen dioxide (NO ₂ , 25 ppm)	Aluminum	REG-DF-1 or REG-1.0	34	6 months	CG2-D-25-34
Oxygen (O ₂ , 18.0%)	Steel	REG-DF-3 or REG2-0.5	34	36 months	CG2-X-18.0-34
Pentane (C ₅ H ₁₂ , 0.75% v. / 50% LEL)	Steel	REG-DF-3 or REG2-0.5	34	36 months	CG2-K-0.75-34
Phosphine (PH ₃ , 1 ppm)	Aluminum	REG-DF-1 or REG-0.5	34	18 months	CG2-P-1-34
Propane (C ₃ H ₈ , 1.0% v. / 50% LEL)	Steel	REG-DF-3 or REG2-0.5	34	36 months	CG2-R-1.0-34
Sulfur dioxide (SO ₂ , 10 ppm)	Aluminum	REG-DF-1 or REG-0.5	34	24 months	CG2-S-10-34
Sulfur dioxide (SO ₂ , 10 ppm)	Aluminum	REG-DF-1 or REG-0.5	58	24 months	CG2-S-10-58
Sulfur dioxide (SO ₂ , 20 ppm)	Aluminum	REG-DF-1 or REG-0.5	34	24 months	CG2-S-20-34
Sulfur dioxide (SO ₂ , 20 ppm)	Aluminum	REG-DF-1 or REG-0.5	58	24 months	CG2-S-20-58
Sulfur dioxide (SO ₂ , 25 ppm)	Aluminum	REG-DF-1 or REG-0.5	58	24 months	CG2-S-25
Zero air	Steel	REG-DF-3 or REG2-0.5	34	36 months	CG-ZERO-34
Zero air	Steel	REG-DF-1 or REG-0.5	103	36 months	CG-ZERO

Note: Regulators sold separately. For a complete list of available Calibration Equipment, refer to the Full Product Index on pages 112-114. For ClO₂ and O₃ gas options, contact Honeywell Analytics Service.

Calibration Equipment (Group A) (continued)

For BW Technologies by Honeywell brand portable gas detectors only: Honeywell BW Clip® Series, Honeywell BW™ Solo, Honeywell BW™ MicroClip Series, Honeywell BW™ Clip4, GasAlertQuattro, Honeywell BW™ Max XT II, GasAlertMicro 5 Series, and Honeywell BW™ Ultra

Test Gases	Cylinder Material	Liters	Shelf Life (Warranty)	Order Number
Bump alarm test gas aerosol H ₂ S (100 ppm)	Aluminum	11	06 months	CG-BUMP-H25
Bump alarm test gas aerosol CO (100 ppm)	Aluminum	11	12 months	CG-BUMP-M100
Bump alarm test gas aerosol H ₂ S (100 ppm), CO (200 ppm), CH ₄ (2.5%), O ₂ (10%)	Aluminum	11	06 months	CG-BUMP1
Spare balloon assembly kit with hose (1/8 in. I.D., 3/16 in. O.D.) and adaptor for bump gas	-	-	-	CG-BUMP-B-K

Note: H₂S concentrations in bump gas cylinders degrade rapidly due to the properties of these cylinders. While these cylinders might initially come with H₂S concentrations of 100 ppm, they could lose up to 60% of that concentration in 12 months (users may see only 40 ppm after 12 months). Bump gas cylinders are used for qualitative functional testing of sensors and alarms only. Bump gases cannot be used as calibration gases.

Calibration Hoses	Order Number
Calibration hose, Tygon (1 ft. / 0.3 m, 1/8 in. I.D., 1/4 in. O.D.)	C2-HOSE1-1
Calibration hose, Tygon (5 ft. / 1.5 m, 1/8 in. I.D., 1/4 in. O.D.)	C2-HOSE1-5
Calibration hose, Tygon (10 ft. / 3 m, 1/8 in. I.D., 1/4 in. O.D.)	C2-HOSE1-10
Connector fitting for Teflon®-lined hose (C2-HOSE4-1)	C2-CF-HOSE4

Regulators and Accessories	Order Number
Calibration gas regulator (0.5 LPM)	REG-0.5
Calibration gas regulator (0.5 LPM)	REG2-0.5
Calibration gas regulator (1.0 LPM)	REG-1.0
Demand flow regulator for disposable cylinders	REG-DF-1
Demand flow regulator for refillable cylinders, CGA connector	REG-DF-2
Demand flow regulator for disposable steel cylinders	REG-DF-3
Recycle kit for calibration gas cylinders	CG-RK-1
Wall mount (adjustable) for 34, 58, 103 L gas cylinders, red	MK-CG2-58
58 L or 34 L calibration cylinder blue carrying case	CK2-CASE1
Spare balloons for bump gas (kit of 10)	CG-BUMP-B

Note: Honeywell IntelliDoX® and MicroDock II requires a REG-DF-1. Aerosols do not require regulators.

Calibration Equipment (Group B)

- ToxiPro®
- MultiPro™
- PHD6™



Multi-Gas Cylinders (4-gas mix)	Order Number
O ₂ (18.0%), LEL (CH ₄ , 50%), CO (50 ppm), H ₂ S (25 ppm); balance N ₂ , 58 L	54-9043
O ₂ (18.0%), LEL (propane equivalent CH ₄ , 50%), CO (50 ppm), H ₂ S (25 ppm); balance N ₂ , 58 L	54-9044E
O ₂ (18.0%), LEL (propane equivalent CH ₄ , 50%), CO (50 ppm), H ₂ S (25 ppm); balance N ₂ , 34 L	54-9049E
Multi-Gas Cylinders (3-gas mix)	Order Number
O ₂ (18.0%), LEL (CH ₄ , 50%), CO (50 ppm); balance N ₂ , 103 L	54-9041
O ₂ (18.0%), LEL (propane equivalent CH ₄ , 50%), CO (50 ppm); balance N ₂ , 103 L	54-9042E
Multi-Gas Cylinders (2-gas mix)	Order Number
CO (50 ppm) / O ₂ (18.0%); balance N ₂ , 103 L	54-9033
Isobutylene (100 ppm), oxygen (O ₂ , 18.0% v/v) balance N ₂ 103 L	54-9082
Single Gas Cylinders	Order Number
Carbon dioxide (CO ₂ , 1% v/v), balance air, 103 L	2992-0029
Carbon monoxide (CO, 100 ppm) balance air, 103 L	GFV237
Chlorine (Cl ₂ , 10 ppm), balance N ₂ , 58 L	54-9076
Hydrogen (H ₂ , 1000 ppm), balance air, 58 L	2992-0016
Hydrogen (H ₂ , 500 ppm), balance air, 103 L	1991-0159
Hydrogen sulfide (H ₂ S, 25 ppm), balance N ₂ , 58 L	54-9034
Isobutylene (100 ppm), balance air, 103 L	119046-L3
Nitrogen (N ₂ , 100%), 34 L	CG-G0043-N2-34
Nitrogen (N ₂ , 99.8% v/v), 58 L	2992-0011
Sulfur dioxide (SO ₂ , 5 ppm) balance air, 34 L	GFV450
Sulfur dioxide (SO ₂ , 10 ppm), balance N ₂ , 58 L	2992-0003
Regulators	Order Number
Calibration gas regulator (1.0 LPM)	12-023P
Demand flow regulator	12-061

Note: For a complete list of available Calibration Equipment, refer to the Full Product Index on pages 112-114.

Full Product Index

- 75 Single-Gas Detectors
- 81 Multi-Gas Detectors
- 109 Docking, Testing and Data Management
- 112 Connected Worker Solutions
- 112 Calibration Equipment
- 114 General Accessories, Replacements, Spares & Service Parts



Full Product Index

- 75 Single-Gas Detectors
- 81 Multi-Gas Detectors
- 109 Docking, Testing and Data Management
- 112 Connected Worker Solutions
- 112 Calibration Equipment
- 114 General Accessories, Replacements, Spares & Service Parts



Single-Gas Detectors

Honeywell BW Clip® Single-Gas Detector	Order Number
2-year, hydrogen sulfide (H2S, 10 ppm Low / 15 ppm High), yellow housing	BWC2-H
2-year, hydrogen sulfide (H2S, 10 ppm Low / 15 ppm High), black housing	BWC2-H-B
2-year, hydrogen sulfide (H2S, 10 ppm Low / 10 ppm High), yellow housing	BWC2-H10
2-year, hydrogen sulfide (H2S, 1.6 ppm Low / 3.2 ppm High), yellow housing	BWC2-H1632
2-year, hydrogen sulfide (H2S, 1.6 ppm Low / 5 ppm High), yellow housing	BWC2-H1650
2-year, hydrogen sulfide (H2S, 3 ppm Low / 5 ppm High), yellow housing	BWC2-H35
2-year, hydrogen sulfide (H2S, 5 ppm Low / 5 ppm High), yellow housing	BWC2-H5
2-year, hydrogen sulfide (H2S, 5 ppm Low / 10 ppm High), yellow housing	BWC2-H510
2-year, hydrogen sulfide (H2S, 5 ppm Low / 10 ppm High), black housing	BWC2-H510-B
2-year, hydrogen sulfide (H2S, 5 ppm Low / 15 ppm High), yellow housing	BWC2-H515
2-year, hydrogen sulfide (H2S, 7 ppm Low / 7 ppm High), yellow housing	BWC2-H7
2-year, hydrogen sulfide (H2S, 7 ppm Low / 10 ppm High), yellow housing	BWC2-H710
2-year, hydrogen sulfide (H2S, 7 ppm Low / 14 ppm High), yellow housing	BWC2-H714
2-year, hydrogen sulfide (H2S, 10 ppm Low / 15 ppm High), bulk pack of 50 detectors, yellow housing	BWC2-H-B50
2-year, carbon monoxide (CO, 35 ppm Low / 200 ppm High), yellow housing	BWC2-M
2-year, carbon monoxide (CO, 35 ppm Low / 200 ppm High), black housing	BWC2-M-B
2-year, carbon monoxide (CO, 10 ppm Low / 50 ppm High), yellow housing	BWC2-M1050
2-year, carbon monoxide (CO, 10 ppm Low / 200 ppm High), yellow housing	BWC2-M10200
2-year, carbon monoxide (CO, 20 ppm Low / 50 ppm High), yellow housing	BWC2-M2050
2-year, carbon monoxide (CO, 25 ppm Low / 50 ppm High), yellow housing	BWC2-M2550
2-year, carbon monoxide (CO, 25 ppm Low / 75 ppm High), yellow housing	BWC2-M2575
2-year, carbon monoxide (CO, 25 ppm Low / 100 ppm High), yellow housing	BWC2-M25100
2-year, carbon monoxide (CO, 30 ppm Low / 60 ppm High), yellow housing	BWC2-M3060
2-year, carbon monoxide (CO, 30 ppm Low / 100 ppm High), yellow housing	BWC2-M30100
2-year, carbon monoxide (CO, 30 ppm Low / 200 ppm High), yellow housing	BWC2-M30200
2-year, carbon monoxide (CO, 50 ppm Low / 50 ppm High), yellow housing	BWC2-M50
2-year, carbon monoxide (CO, 50 ppm Low / 100 ppm High), yellow housing	BWC2-M50100
2-year, carbon monoxide (CO, 50 ppm Low / 200 ppm High), yellow housing	BWC2-M50200
2-year, carbon monoxide (CO, 100 ppm Low / 100 ppm High), yellow housing	BWC2-M100
2-year, carbon monoxide (CO, 35 ppm Low / 200 ppm High), bulk pack of 50 detectors, yellow housing	BWC2-M-B50
2-year, sulfur dioxide (SO2, 5 ppm Low / 10 ppm High), yellow housing	BWC2-S
2-year, sulfur dioxide (SO2, 5 ppm Low / 10 ppm High), black housing	BWC2-S-B
2-year, sulfur dioxide (SO2, 2 ppm Low / 4 ppm High), yellow housing	BWC2-S24
2-year, sulfur dioxide (SO2, 2 ppm Low / 5 ppm High), yellow housing	BWC2-S25
2-year, sulfur dioxide (SO2, 5 ppm Low / 10 ppm High), bulk pack of 50 detectors, yellow housing	BWC2-S-B50
2-year, oxygen (O2, 19.5% Low / 23.5% Vol. High), yellow housing	BWC2-X
2-year, oxygen (O2, 19.5% Low / 23.5% Vol. High), black housing	BWC2-X-B
2-year, oxygen (O2, 19.5% Low / 23.5% Vol. High), bulk pack of 50 detectors, yellow housing	BWC2-X-B50
Hydrogen sulfide (H2S), 3 year (Low 1.6 ppm / High 3.2 ppm), yellow housing	BWC3-H1.63.2
3-year, hydrogen sulfide (H2S, 10 ppm Low / 15 ppm High), yellow housing	BWC3-H
3-year, hydrogen sulfide (H2S, 10 ppm Low / 15 ppm High), black housing	BWC3-H-B
3-year, hydrogen sulfide (H2S, 10 ppm Low / 10 ppm High), yellow housing	BWC3-H1010
3-year, hydrogen sulfide (H2S, 2 ppm Low / 7 ppm High), yellow housing	BWC3-H27
3-year, hydrogen sulfide (H2S, 5 ppm Low / 5 ppm High), yellow housing	BWC3-H5
3-year, hydrogen sulfide (H2S, 5 ppm Low / 10 ppm High), yellow housing	BWC3-H510
3-year, hydrogen sulfide (H2S, 10 ppm Low / 15 ppm High), bulk pack of 50 detectors, yellow housing	BWC3-H-B50
3-year, carbon monoxide (CO, 35 ppm Low / 200 ppm High), yellow housing	BWC3-M
3-year, carbon monoxide (CO, 35 ppm Low / 200 ppm High), black housing	BWC3-M-B
3-year, carbon monoxide (CO, 15 ppm Low / 35 ppm High), yellow housing	BWC3-M1535
3-year, carbon monoxide (CO, 25 ppm Low / 50 ppm High), yellow housing	BWC3-M2550
3-year, carbon monoxide (CO, 25 ppm Low / 75 ppm High), yellow housing	BWC3-M2575
3-year, carbon monoxide (CO, 25 ppm Low / 100 ppm High), yellow housing	BWC3-M25100
3-year, carbon monoxide (CO, 25 ppm Low / 150 ppm High), yellow housing	BWC3-M25150
3-year, carbon monoxide (CO, 30 ppm Low / 60 ppm High), yellow housing	BWC3-M3060
3-year, carbon monoxide (CO, 30 ppm Low / 200 ppm High), yellow housing	BWC3-M30200
3-year, carbon monoxide (CO, 50 ppm Low / 100 ppm High), yellow housing	BWC3-M50100
3-year, carbon monoxide (CO, 50 ppm Low / 200 ppm High), yellow housing	BWC3-M50200
3-year, carbon monoxide (CO, 35 ppm Low / 200 ppm High), bulk pack of 50 detectors, yellow housing	BWC3-M-B50

Full Product Index (continued)

Honeywell BW Clip® Real Time Single-Gas Detector	Order Number
Hydrogen sulfide (H2S), 2 year (Low 10 ppm / High 15 ppm), real-time display, yellow housing	BWC2R-H
Hydrogen sulfide (H2S), 2 year (Low 10 ppm / High 15 ppm), real-time display, black housing	BWC2R-H-B
Hydrogen sulfide (H2S), 2 year (Low 1.6 ppm / High 5 ppm), real-time display, yellow housing	BWC2R-H1.65
Hydrogen sulfide (H2S), 2 year (Low 3 ppm / High 5 ppm), real-time display, yellow housing	BWC2R-H35
Hydrogen sulfide (H2S), 2 year (Low 5 ppm / High 10 ppm), real-time display, yellow housing	BWC2R-H510
Hydrogen sulfide (H2S), 2 year (Low 5 ppm / High 15 ppm), real-time display, yellow housing	BWC2R-H515
Hydrogen sulfide (H2S), 2 year (Low 7 ppm / High 7 ppm), real-time display, yellow housing	BWC2R-H7
Carbon monoxide (CO), 2 year (Low 35 ppm / High 200 ppm), real-time display, yellow housing	BWC2R-M
Carbon monoxide (CO), 2 year (Low 35 ppm / High 200 ppm), real-time display, black housing	BWC2R-M-B
Carbon monoxide (CO), 2 year (Low 10 ppm / High 20 ppm), real-time display, yellow housing	BWC2R-M1020
Carbon monoxide (CO), 2 year (Low 10 ppm / High 25 ppm), real-time display, yellow housing	BWC2R-M1025
Carbon monoxide (CO), 2 year (Low 20 ppm / High 50 ppm), real-time display, yellow housing	BWC2R-M2050
Carbon monoxide (CO), 2 year (Low 25 ppm / High 100 ppm), real-time display, yellow housing	BWC2R-M25100
Carbon monoxide (CO), 2 year (Low 25 ppm / High 50 ppm), real-time display, yellow housing	BWC2R-M2550
Carbon monoxide (CO), 2 year (Low 30 ppm / High 200 ppm), real-time display, yellow housing	BWC2R-M30200
Carbon monoxide (CO), 2 year (Low 30 ppm / High 60 ppm), real-time display, yellow housing	BWC2R-M3060
Carbon monoxide (CO), 2 year (Low 35 ppm / High 100 ppm), real-time display, yellow housing	BWC2R-M35100
Carbon monoxide (CO), 2 year (Low 50 ppm / High 100 ppm), real-time display, yellow housing	BWC2R-M50100
Carbon monoxide (CO), 2 year (Low 50 ppm / High 200 ppm), real-time display, yellow housing	BWC2R-M50200
Sulfur dioxide (SO2), 2 year (Low 5 ppm / High 10 ppm), real-time display, yellow housing	BWC2R-S
Sulfur dioxide (SO2), 2 year (Low 5 ppm / High 10 ppm), real-time display, black housing	BWC2R-S-B
Sulfur dioxide (SO2), 2 year (Low 2 ppm / High 4 ppm), real-time display, yellow housing	BWC2R-S24
Oxygen (O2), 2 year (Low 19.5% / High 23.5%), real-time display, yellow housing	BWC2R-X
Oxygen (O2), 2 year (Low 19.5% / High 23.5%), real-time display, black housing	BWC2R-X-B
Oxygen (O2), 2 year (Low 19.5% / High 22.0%), real-time display, yellow housing	BWC2R-X19.522
Oxygen (O2), 2 year (Low 19.5% / High 22.5%), real-time display, yellow housing	BWC2R-X19.522.5
Hydrogen sulfide (H2S), 3 year (Low 10 ppm / High 15 ppm), real-time display, yellow housing	BWC3R-H
Hydrogen sulfide (H2S), 3 year (Low 10 ppm / High 15 ppm), real-time display, black housing	BWC3R-H-B
Hydrogen sulfide (H2S), 3 year (Low 5 ppm / High 10 ppm), real-time display, yellow housing	BWC3R-H510
Carbon monoxide (CO), 3 year (Low 35 ppm / High 200 ppm), real-time display, yellow housing	BWC3R-M
Carbon monoxide (CO), 3 year (Low 35 ppm / High 200 ppm), real-time display, black housing	BWC3R-M-B
Carbon monoxide (CO), 3 year (Low 20 ppm / High 50 ppm), real-time display, yellow housing	BWC3R-M2050
Carbon monoxide (CO), 3 year (Low 30 ppm / High 200 ppm), real-time display, yellow housing	BWC3R-M30200
Carbon monoxide (CO), 3 year (Low 50 ppm / High 100 ppm), real-time display, yellow housing	BWC3R-M50100
Carbon monoxide (CO), 3 year (Low 50 ppm / High 200 ppm), real-time display, yellow housing	BWC3R-M50200

Honeywell BW Clip® Series Accessories	Order Number
Hibernation case for Honeywell BW Clip® Series	ClipHB-Case
Hibernation case for Honeywell BW Clip® Series (50-unit bulk package)	ClipHB-Case-B50

Honeywell BW™ Solo Serviceable Single-Gas Detector, Non-wireless	Order Number
Ammonia (NH3) (extended range), non-wireless, black housing	BWS-A2-B
Ammonia (NH3) (extended range), non-wireless, yellow housing	BWS-A2-Y
Ammonia (NH3), non-wireless, black housing	BWS-A-B
Ammonia (NH3), non-wireless, yellow housing	BWS-A-Y
Chlorine (Cl2), non-wireless, black housing	BWS-C-B
Chlorine (Cl2), non-wireless, yellow housing	BWS-C-Y
Nitrogen dioxide (NO2), non-wireless, black housing	BWS-D-B
Nitrogen dioxide (NO2), non-wireless, yellow housing	BWS-D-Y
Ethylene oxide (ETO) (C2H4O), non-wireless, black housing	BWS-E-B
Ethylene oxide (ETO) (C2H4O), non-wireless, yellow housing	BWS-E-Y
Ozone (O3), non-wireless, black housing	BWS-G-B
Ozone (O3), non-wireless, yellow housing	BWS-G-Y
Hydrogen sulfide (H2S) (extended range), non-wireless, black housing	BWS-H2-B
Hydrogen sulfide (H2S) (extended range), non-wireless, yellow housing	BWS-H2-Y
Hydrogen sulfide (H2S), non-wireless, black housing	BWS-HL-B
Hydrogen sulfide (H2S), non-wireless, yellow housing	BWS-HL-Y
Carbon monoxide (CO-H), H2 resistant, non-wireless, black housing	BWS-M2-B
Carbon monoxide (CO-H), H2 resistant, non-wireless, yellow housing	BWS-M2-Y
Carbon monoxide (CO), non-wireless, black housing	BWS-ML-B
Carbon monoxide (CO), non-wireless, yellow housing	BWS-ML-Y
Nitric oxide (NO), non-wireless, black housing	BWS-N-B
Nitric oxide (NO), non-wireless, yellow housing	BWS-N-Y

Honeywell BW™ Solo Serviceable Single-Gas Detector, Non-wireless	Order Number
Phosphine (PH ₃), non-wireless, black housing	BWS-P-B
Phosphine (PH ₃), non-wireless, yellow housing	BWS-P-Y
Hydrogen (H ₂), non-wireless, black housing	BWS-R-B
Hydrogen (H ₂), non-wireless, yellow housing	BWS-R-Y
Sulfur dioxide (SO ₂), non-wireless, black housing	BWS-S-B
Sulfur dioxide (SO ₂), non-wireless, yellow housing	BWS-S-Y
Chlorine dioxide (ClO ₂), non-wireless, black housing	BWS-V-B
Chlorine dioxide (ClO ₂), non-wireless, yellow housing	BWS-V-Y
Oxygen (O ₂), non-wireless, black housing	BWS-XL-B
Oxygen (O ₂), non-wireless, yellow housing	BWS-XL-Y
Hydrogen cyanide (HCN), non-wireless, black housing	BWS-Z-B
Hydrogen cyanide (HCN), non-wireless, yellow housing	BWS-Z-Y

Honeywell BW™ Solo Serviceable Single-Gas Detector, Wireless	Order Number
Ammonia (NH ₃) (extended range), wireless, black housing	BWS1-A2-B
Ammonia (NH ₃) (extended range), wireless, yellow housing	BWS1-A2-Y
Ammonia (NH ₃), wireless, black housing	BWS1-A-B
Ammonia (NH ₃), wireless, yellow housing	BWS1-A-Y
Chlorine (Cl ₂), wireless, black housing	BWS1-C-B
Chlorine (Cl ₂), wireless, yellow housing	BWS1-C-Y
Nitrogen dioxide (NO ₂), wireless, black housing	BWS1-D-B
Nitrogen dioxide (NO ₂), wireless, yellow housing	BWS1-D-Y
Ethylene oxide (ETO) (C ₂ H ₄ O), wireless, black housing	BWS1-E-B
Ethylene oxide (ETO) (C ₂ H ₄ O), wireless, yellow housing	BWS1-E-Y
Ozone (O ₃), wireless, black housing	BWS1-G-B
Ozone (O ₃), wireless, yellow housing	BWS1-G-Y
Hydrogen sulfide (H ₂ S) (extended range), wireless, black housing	BWS1-H2-B
Hydrogen sulfide (H ₂ S) (extended range), wireless, yellow housing	BWS1-H2-Y
Hydrogen sulfide (H ₂ S), wireless, black housing	BWS1-HL-B
Hydrogen sulfide (H ₂ S), wireless, yellow housing	BWS1-HL-Y
Carbon monoxide (CO-H), H ₂ resistant, wireless, black housing	BWS1-M2-B
Carbon monoxide (CO-H), H ₂ resistant, wireless, yellow housing	BWS1-M2-Y
Carbon monoxide (CO), wireless, black housing	BWS1-ML-B
Carbon monoxide (CO), wireless, yellow housing	BWS1-ML-Y
Nitric oxide (NO), wireless, black housing	BWS1-N-B
Nitric oxide (NO), wireless, yellow housing	BWS1-N-Y
Phosphine (PH ₃), wireless, black housing	BWS1-P-B
Phosphine (PH ₃), wireless, yellow housing	BWS1-P-Y
Hydrogen (H ₂), wireless, black housing	BWS1-R-B
Hydrogen (H ₂), wireless, yellow housing	BWS1-R-Y
Sulfur dioxide (SO ₂), wireless, black housing	BWS1-S-B
Sulfur dioxide (SO ₂), wireless, yellow housing	BWS1-S-Y
Chlorine dioxide (ClO ₂), wireless, black housing	BWS1-V-B
Chlorine dioxide (ClO ₂), wireless, yellow housing	BWS1-V-Y
Oxygen (O ₂), wireless, black housing	BWS1-XL-B
Oxygen (O ₂), wireless, yellow housing	BWS1-XL-Y
Hydrogen cyanide (HCN), wireless, black housing	BWS1-Z-B
Hydrogen cyanide (HCN), wireless, yellow housing	BWS1-Z-Y

Honeywell BW™ Solo Replacements, Spares & Service Parts	Order Number
Replacement test/calibration cap	BWS-TC-1
Replacement 4-Series front cover	BWS-4C-1
Replacement 4-Series sensor fixer kit - Includes one sensor sealing ring, one sensor fixer with metal insert, and four sensor fixer screws	BWS-4SC-1
Replacement battery	BWS-BAT01
Replacement back shell, yellow	BWS-BC1
Replacement back shell, black	BWS-BC1B
Replacement battery cover kit, non-wireless	BWS-BH-1
Replacement battery cover kit, wireless	BWS-BH-2
Replacement front shell	BWS-FC1
Replacement buzzer sealing ring	BWS-HS-1
Replacement LCD	BWS-LCD
Replacement 1-Series sensor o-rings (kit of 10)	BWS-ORING-1S-K1
Replacement 4-Series sensor sealing rings (kit of 10)	BWS-ORING-4S-K1

Full Product Index (continued)

Honeywell BW™ Solo Replacements, Spares & Service Parts	Order Number
Replacement sensor fixer screws (kit of 25)	BWS-SCREW-K1
Replacement sensor screens (kit of 10)	BWS-SS
Replacement 1-Series front cover	BWS-WC-1
Replacement 1-Series sensor fixer kit - Includes one sensor o-ring, one sensor fixer, and four sensor fixer screws	BWS-WSC-1
Replacement PCB, ammonia (NH3), extended range, wireless	BWS1-A2-PCB1
Replacement PCB, ammonia (NH3), wireless	BWS1-A-PCB1
Replacement PCB, chlorine (Cl2), wireless	BWS1-C-PCB1
Replacement PCB, nitrogen dioxide (NO2), wireless	BWS1-D-PCB1
Replacement PCB, ethylene oxide (ETO), wireless	BWS1-E-PCB1
Replacement PCB, ozone (O3), wireless	BWS1-G-PCB1
Replacement PCB, hydrogen sulfide (H2S), extended range, wireless	BWS1-H-2-PCB1
Replacement PCB, hydrogen sulfide (H2S), wireless	BWS1-HL-PCB1
Replacement PCB, carbon monoxide, hydrogen (h2) resistant (CO-H), wireless	BWS1-M2-PCB1
Replacement PCB, carbon monoxide (CO), wireless	BWS1-ML-PCB1
Replacement PCB, nitric oxide (NO), wireless	BWS1-N-PCB1
Replacement PCB, phosphine (PH3), wireless	BWS1-P-PCB1
Replacement PCB, hydrogen (H2), wireless	BWS1-R-PCB1
Replacement PCB, sulfur dioxide (SO2), wireless	BWS1-S-PCB1
Replacement PCB, chlorine dioxide (ClO2), wireless	BWS1-V-PCB1
Replacement PCB, oxygen (O2), wireless	BWS1-XL-PCB1
Replacement PCB, hydrogen cyanide (HCN), wireless	BWS1-Z-PCB1
Replacement PCB, ammonia (NH3), extended range, non-wireless	BWS-A2-PCB1
Replacement PCB, ammonia (NH3), non-wireless	BWS-A-PCB1
Replacement PCB, chlorine (Cl2), non-wireless	BWS-C-PCB1
Replacement PCB, nitrogen dioxide (NO2), non-wireless	BWS-D-PCB1
Replacement PCB, ethylene oxide (ETO), non-wireless	BWS-E-PCB1
Replacement PCB, ozone (O3), non-wireless	BWS-G-PCB1
Replacement PCB, hydrogen sulfide (H2S), extended range, non-wireless	BWS-H-2-PCB1
Replacement PCB, hydrogen sulfide (H2S), non-wireless	BWS-HL-PCB1
Replacement PCB, carbon monoxide, hydrogen (h2) resistant (CO-H), non-wireless	BWS-M2-PCB1
Replacement PCB, carbon monoxide (CO), non-wireless	BWS-ML-PCB1
Replacement PCB, nitric oxide (NO), non-wireless	BWS-N-PCB1
Replacement PCB, phosphine (PH3), non-wireless	BWS-P-PCB1
Replacement PCB, hydrogen (H2), non-wireless	BWS-R-PCB1
Replacement PCB, sulfur dioxide (SO2), non-wireless	BWS-S-PCB1
Replacement PCB, chlorine dioxide (ClO2), non-wireless	BWS-V-PCB1
Replacement PCB, oxygen (O2), non-wireless	BWS-XL-PCB1
Replacement PCB, hydrogen cyanide (HCN), non-wireless	BWS-Z-PCB1
Replacement gas label, ammonia (NH3)	BWS-A-LABEL
Replacement gas label, chlorine (Cl2)	BWS-C-LABEL
Replacement gas label, nitrogen dioxide (NO2)	BWS-D-LABEL
Replacement gas label, ethylene oxide (ETO)	BWS-E-LABEL
Replacement gas label, ozone (O3)	BWS-G-LABEL
Replacement gas label, hydrogen sulfide (H2S)	BWS-H-LABEL
Replacement gas label, carbon monoxide, hydrogen (H2) resistant (CO-H)	BWS-M2-LABEL
Replacement gas label, carbon monoxide (CO)	BWS-M-LABEL
Replacement gas label, nitric oxide (NO)	BWS-N-LABEL
Replacement gas label, phosphine (PH3)	BWS-P-LABEL
Replacement gas label, hydrogen (H2)	BWS-R-LABEL
Replacement gas label, sulfur dioxide (SO2)	BWS-S-LABEL
Replacement gas label, chlorine dioxide (ClO2)	BWS-V-LABEL
Replacement gas label, oxygen (O2)	BWS-X-LABEL
Replacement gas label, hydrogen cyanide (HCN)	BWS-Z-LABEL
GasAlert Extreme Single-Gas Detector	Order Number
Ammonia (NH3) extended range with yellow housing	GAXT-A2-DL
Ammonia (NH3) extended range with black housing	GAXT-A2-DL-B
Ammonia (NH3) extended range with yellow housing (INMETRO certified, for Brazil only)	GAXT-A2-DL-BR
Ammonia (NH3) with yellow housing	GAXT-A-DL
Ammonia (NH3) with black housing	GAXT-A-DL-B
Ammonia (NH3) with yellow housing (INMETRO certified, for Brazil only)	GAXT-A-DL-BR
Chlorine (Cl2) with yellow housing	GAXT-C-DL

GasAlert Extreme Single-Gas Detector	Order Number
Chlorine (Cl ₂) with black housing	GAXT-C-DL-B
Chlorine (Cl ₂) with yellow housing (INMETRO certified, for Brazil only)	GAXT-C-DL-BR
Nitrogen dioxide (NO ₂) with yellow housing	GAXT-D-DL
Nitrogen dioxide (NO ₂) with black housing	GAXT-D-DL-B
Nitrogen dioxide (NO ₂) with yellow housing (INMETRO certified, for Brazil only)	GAXT-D-DL-BR
Ethylene oxide (ETO) with yellow housing	GAXT-E-DL
Ethylene oxide (ETO) with black housing	GAXT-E-DL-B
Ethylene oxide (ETO) with yellow housing (INMETRO certified, for Brazil only)	GAXT-E-DL-BR
Ozone (O ₃) with yellow housing	GAXT-G-DL
Ozone (O ₃) with black housing	GAXT-G-DL-B
Ozone (O ₃) with yellow housing (INMETRO certified, for Brazil only)	GAXT-G-DL-BR
Hydrogen sulfide (H ₂ S) extended range with yellow housing	GAXT-H-2-DL
Hydrogen sulfide (H ₂ S) extended range with black housing	GAXT-H-2-DL-B
Hydrogen sulfide (H ₂ S) extended range with yellow housing (INMETRO certified, for Brazil only)	GAXT-H-2-DL-BR
Hydrogen sulfide (H ₂ S) with yellow housing	GAXT-H-DL
Hydrogen sulfide (H ₂ S) with black housing	GAXT-H-DL-B
Hydrogen sulfide (H ₂ S) with yellow housing (INMETRO certified, for Brazil only)	GAXT-H-DL-BR
Carbon monoxide (CO-H), H ₂ resistant with yellow housing	GAXT-M2-DL
Carbon monoxide (CO-H), H ₂ resistant with black housing	GAXT-M2-DL-B
Carbon monoxide (CO-H), H ₂ resistant with yellow housing (INMETRO certified, for Brazil only)	GAXT-M2-DL-BR
Carbon monoxide (CO) with yellow housing	GAXT-M-DL
Carbon monoxide (CO) with black housing	GAXT-M-DL-B
Carbon monoxide (CO) with yellow housing (INMETRO certified, for Brazil only)	GAXT-M-DL-BR
Nitric oxide (NO) with yellow housing	GAXT-N-DL
Nitric oxide (NO) with black housing	GAXT-N-DL-B
Nitric oxide (NO) with yellow housing (INMETRO certified, for Brazil only)	GAXT-N-DL-BR
Phosphine (PH ₃) with yellow housing	GAXT-P-DL
Phosphine (PH ₃) with black housing	GAXT-P-DL-B
Phosphine (PH ₃) with yellow housing (INMETRO certified, for Brazil only)	GAXT-P-DL-BR
Sulfur dioxide (SO ₂) with yellow housing	GAXT-S-DL
Sulfur dioxide (SO ₂) with black housing	GAXT-S-DL-B
Sulfur dioxide (SO ₂) with yellow housing (INMETRO certified, for Brazil only)	GAXT-S-DL-BR
Chlorine dioxide (ClO ₂) with yellow housing	GAXT-V-DL
Chlorine dioxide (ClO ₂) with black housing	GAXT-V-DL-B
Chlorine dioxide (ClO ₂) with yellow housing (INMETRO certified, for Brazil only)	GAXT-V-DL-BR
Oxygen (O ₂) with yellow housing	GAXT-X-DL-2
Oxygen (O ₂) with black housing	GAXT-X-DL-B-2
Oxygen (O ₂) with yellow housing (INMETRO certified, for Brazil only)	GAXT-X-DL-BR-2
Hydrogen cyanide (HCN) with yellow housing	GAXT-Z-DL
Hydrogen cyanide (HCN) with black housing	GAXT-Z-DL-B
Hydrogen cyanide (HCN) with yellow housing (INMETRO certified, for Brazil only)	GAXT-Z-DL-BR

GasAlert Extreme Accessories	Order Number
Concussion-proof boot with stainless steel alligator-style clip for GasAlert Extreme	GA-BALERT

GasAlert Extreme Replacements, Spares & Service Parts	Order Number
Replacement sensor screens with gasket (kit of 10)	GAXT-SS
Alligator-style clip (stainless steel) with screw (included with detector)	GA-AG-2
Replacement vibration motor	GA-VM-2
Replacement battery - lithium, 3V	E2829
Replacement breathing tubes for breathing adaptor (GA-BA-K1)	GA-BT-K1
Replacement front enclosure (yellow) for GasAlert Extreme	GAXT-FC1
Replacement front enclosure (black) for GasAlert Extreme	GAXT-FC1B
Replacement back enclosure (yellow) with screws for GasAlert Extreme	GAXT-BC1
Replacement back enclosure (black) with screws for GasAlert Extreme	GAXT-BC1B
Replacement bubble label for GasAlert Extreme hydrogen sulfide (H ₂ S)	GAXT-H-BLABEL
Replacement LCD for GasAlert Extreme	GAXT-LCD
Replacement PCB for GasAlert Extreme ammonia (NH ₃)	GAXT-A-DL-PCB1
Replacement PCB for GasAlert Extreme ammonia (NH ₃), extended range	GAXT-A2-DL-PCB1
Replacement PCB for GasAlert Extreme carbon monoxide (CO)	GAXT-M-DL-PCB1
Replacement PCB for GasAlert Extreme carbon monoxide (CO-H), H ₂ resistant	GAXT-M2-DL-PCB1
Replacement PCB for GasAlert Extreme chlorine (Cl ₂)	GAXT-C-DL-PCB1

Full Product Index (continued)

GasAlert Extreme Replacements, Spares & Service Parts	Order Number
Replacement PCB for GasAlert Extreme chlorine dioxide (ClO2)	GAXT-V-DL-PCB1
Replacement PCB for GasAlert Extreme ethylene oxide (ETO)	GAXT-E-DL-PCB1
Replacement PCB for GasAlert Extreme hydrogen sulfide (H2S)	GAXT-H-DL-PCB1
Replacement PCB for GasAlert Extreme hydrogen sulfide (H2S), extended range	GAXT-H-2-DL-PCB1
Replacement PCB for GasAlert Extreme hydrogen cyanide (HCN)	GAXT-Z-DL-PCB1
Replacement PCB for GasAlert Extreme nitric oxide (NO)	GAXT-N-DL-PCB1
Replacement PCB for GasAlert Extreme nitrogen dioxide (NO2)	GAXT-D-DL-PCB1
Replacement PCB for GasAlert Extreme oxygen (O2)	GAXT-X-DL-PCB1
Replacement PCB for GasAlert Extreme ozone (O3)	GAXT-G-DL-PCB1
Replacement PCB for GasAlert Extreme phosphine (PH3)	GAXT-P-DL-PCB1
Replacement PCB for GasAlert Extreme sulfur dioxide (SO2)	GAXT-S-DL-PCB1

ToxiPro® Single-Gas Detector	Order Number
Ammonia (NH3), vibrating alarm, datalogging	54-45-21VD
Carbon monoxide (CO), vibrating alarm, datalogging	54-45-01VD
Carbon monoxide (CO-H), H2 resistant, vibrating alarm, datalogging	54-45-19VD
Chlorine (Cl2), vibrating alarm, datalogging	54-45-18VD
Hydrogen cyanide (HCN), vibrating alarm, datalogging	54-45-10VD
Hydrogen sulfide (H2S), vibrating alarm, datalogging	54-45-02VD
Nitrogen dioxide (NO2), vibrating alarm, datalogging	54-45-09VD
Oxygen (O2), vibrating alarm, datalogging	54-45-90VD
Phosphine (PH3), vibrating alarm, datalogging	54-45-13VD
Sulfur dioxide (SO2), vibrating alarm, datalogging	54-45-03VD

ToxiPro® Replacements, Spares & Service Parts	Order Number
Replacement sensor filter kit	54-46-101
Test cap without hose	54-46-106
Replacement carbon monoxide (CO) sensor for ToxiPro	54-47-01
Replacement hydrogen sulfide (H2S) sensor for ToxiPro	54-47-02
Replacement sulfur dioxide (SO2) sensor - Note: 1 year warranty.	54-47-03
Replacement phosphine (PH3) sensor - Note: 1 year warranty.	54-47-13
Replacement chlorine (Cl2) sensor - Note: 1 year warranty.	54-47-18
Replacement carbon monoxide sensor (CO-H), H2 resistant	54-47-19
Replacement chlorine dioxide (ClO2) sensor - Note: 1 year warranty.	54-47-20
Replacement ammonia (NH3) sensor - Note: 1 year warranty.	54-47-21
Replacement hydrogen cyanide (HCN) sensor - Note: 1 year warranty.	54-47-23
Replacement nitrogen dioxide (NO2) sensor - Note: 1 year warranty.	54-47-24
Replacement oxygen (O2) sensor for ToxiPro	54-47-90
Replacement alligator clip	TP-AG-1
Replacement back cover with screws for ToxiPro	TP-BC-1
Replacement buzzer kit	TP-BZ-1
Replacement front cover (NH3)	TP-FC-A
Replacement front cover (Cl2)	TP-FC-C
Replacement front cover (NO2)	TP-FC-D
Replacement front cover (H2S)	TP-FC-H
Replacement front cover (CO)	TP-FC-M
Replacement front cover (CO-H)	TP-FC-M2
Replacement front cover (PH3)	TP-FC-P
Replacement front cover (SO2)	TP-FC-S
Replacement front cover (O2)	TP-FC-X
Replacement front cover (HCN)	TP-FC-Z
Replacement LCD/vibrator kit	TP-LCDV-1
O-ring gasket (kit of 10)	TP-OR-10
Replacement PCB with LCD and Vibrator	TP-PCB-1
Replacement PCB with LCD and Vibrator (O2 only)	TP-PCB0-1
Replacement screw kit (enough for 10 units)	TP-SCREW-10
Sensor gasket (kit of 10)	TP-SG-10
Sensor gasket (kit of 10) - Use with HCN, NH3, and Cl2	TP-SGR-10
Replacement test cap for ToxiPro	TP-TC-1
Replacement test cap for ToxiPro, for use with reactive gases	TP-TC-2

Multi-Gas Detectors

Honeywell BW™ MicroClip XL Multi-Gas Detector	Order Number
Honeywell BW™ MicroClip XL, CO - black housing, AU version (Australia)	MCXL-000M-B-AU
Honeywell BW™ MicroClip XL, CO - black housing, BR version (Brazil)	MCXL-000M-B-BR
Honeywell BW™ MicroClip XL, CO - black housing, CN version (China/New Zealand)	MCXL-000M-B-CN
Honeywell BW™ MicroClip XL, CO - black housing, EU version (Europe)	MCXL-000M-B-EU
Honeywell BW™ MicroClip XL, CO - black housing, NA version (North America)	MCXL-000M-B-NA
Honeywell BW™ MicroClip XL, CO - black housing, OE version (Other Regions, 2-pin UK plug)	MCXL-000M-B-OE
Honeywell BW™ MicroClip XL, CO - black housing, OR version (Other Regions, 3-pin UK plug)	MCXL-000M-B-OR
Honeywell BW™ MicroClip XL, CO - black housing, UK version (United Kingdom)	MCXL-000M-B-UK
Honeywell BW™ MicroClip XL, CO - yellow housing, AU version (Australia)	MCXL-000M-Y-AU
Honeywell BW™ MicroClip XL, CO - yellow housing, BR version (Brazil)	MCXL-000M-Y-BR
Honeywell BW™ MicroClip XL, CO - yellow housing, CN version (China/New Zealand)	MCXL-000M-Y-CN
Honeywell BW™ MicroClip XL, CO - yellow housing, EU version (Europe)	MCXL-000M-Y-EU
Honeywell BW™ MicroClip XL, CO - yellow housing, NA version (North America)	MCXL-000M-Y-NA
Honeywell BW™ MicroClip XL, CO - yellow housing, OE version (Other Regions, 2-pin UK plug)	MCXL-000M-Y-OE
Honeywell BW™ MicroClip XL, CO - yellow housing, OR version (Other Regions, 3-pin UK plug)	MCXL-000M-Y-OR
Honeywell BW™ MicroClip XL, CO - yellow housing, UK version (United Kingdom)	MCXL-000M-Y-UK
Honeywell BW™ MicroClip XL, H2S - black housing, AU version (Australia)	MCXL-00H0-B-AU
Honeywell BW™ MicroClip XL, H2S - black housing, BR version (Brazil)	MCXL-00H0-B-BR
Honeywell BW™ MicroClip XL, H2S - black housing, CN version (China/New Zealand)	MCXL-00H0-B-CN
Honeywell BW™ MicroClip XL, H2S - black housing, EU version (Europe)	MCXL-00H0-B-EU
Honeywell BW™ MicroClip XL, H2S - black housing, NA version (North America)	MCXL-00H0-B-NA
Honeywell BW™ MicroClip XL, H2S - black housing, OE version (Other Regions, 2-pin UK plug)	MCXL-00H0-B-OE
Honeywell BW™ MicroClip XL, H2S - black housing, OR version (Other Regions, 3-pin UK plug)	MCXL-00H0-B-OR
Honeywell BW™ MicroClip XL, H2S - black housing, UK version (United Kingdom)	MCXL-00H0-B-UK
Honeywell BW™ MicroClip XL, H2S - yellow housing, AU version (Australia)	MCXL-00H0-Y-AU
Honeywell BW™ MicroClip XL, H2S - yellow housing, BR version (Brazil)	MCXL-00H0-Y-BR
Honeywell BW™ MicroClip XL, H2S - yellow housing, CN version (China/New Zealand)	MCXL-00H0-Y-CN
Honeywell BW™ MicroClip XL, H2S - yellow housing, EU version (Europe)	MCXL-00H0-Y-EU
Honeywell BW™ MicroClip XL, H2S - yellow housing, NA version (North America)	MCXL-00H0-Y-NA
Honeywell BW™ MicroClip XL, H2S - yellow housing, OE version (Other Regions, 2-pin UK plug)	MCXL-00H0-Y-OE
Honeywell BW™ MicroClip XL, H2S - yellow housing, OR version (Other Regions, 3-pin UK plug)	MCXL-00H0-Y-OR
Honeywell BW™ MicroClip XL, H2S - yellow housing, UK version (United Kingdom)	MCXL-00H0-Y-UK
Honeywell BW™ MicroClip XL, H2S, CO - black housing, AU version (Australia)	MCXL-00HM-B-AU
Honeywell BW™ MicroClip XL, H2S, CO - black housing, BR version (Brazil)	MCXL-00HM-B-BR
Honeywell BW™ MicroClip XL, H2S, CO - black housing, CN version (China/New Zealand)	MCXL-00HM-B-CN
Honeywell BW™ MicroClip XL, H2S, CO - black housing, EU version (Europe)	MCXL-00HM-B-EU
Honeywell BW™ MicroClip XL, H2S, CO - black housing, NA version (North America)	MCXL-00HM-B-NA
Honeywell BW™ MicroClip XL, H2S, CO - black housing, OE version (Other Regions, 2-pin UK plug)	MCXL-00HM-B-OE
Honeywell BW™ MicroClip XL, H2S, CO - black housing, OR version (Other Regions, 3-pin UK plug)	MCXL-00HM-B-OR
Honeywell BW™ MicroClip XL, H2S, CO - black housing, UK version (United Kingdom)	MCXL-00HM-B-UK
Honeywell BW™ MicroClip XL, H2S, CO - yellow housing, AU version (Australia)	MCXL-00HM-Y-AU
Honeywell BW™ MicroClip XL, H2S, CO - yellow housing, BR version (Brazil)	MCXL-00HM-Y-BR
Honeywell BW™ MicroClip XL, H2S, CO - yellow housing, CN version (China/New Zealand)	MCXL-00HM-Y-CN
Honeywell BW™ MicroClip XL, H2S, CO - yellow housing, EU version (Europe)	MCXL-00HM-Y-EU
Honeywell BW™ MicroClip XL, H2S, CO - yellow housing, NA version (North America)	MCXL-00HM-Y-NA
Honeywell BW™ MicroClip XL, H2S, CO - yellow housing, OE version (Other Regions, 2-pin UK plug)	MCXL-00HM-Y-OE
Honeywell BW™ MicroClip XL, H2S, CO - yellow housing, OR version (Other Regions, 3-pin UK plug)	MCXL-00HM-Y-OR
Honeywell BW™ MicroClip XL, H2S, CO - yellow housing, UK version (United Kingdom)	MCXL-00HM-Y-UK
Honeywell BW™ MicroClip XL, O2 - black housing, AU version (Australia)	MCXL-X000-B-AU
Honeywell BW™ MicroClip XL, O2 - black housing, BR version (Brazil)	MCXL-X000-B-BR
Honeywell BW™ MicroClip XL, O2 - black housing, CN version (China/New Zealand)	MCXL-X000-B-CN
Honeywell BW™ MicroClip XL, O2 - black housing, EU version (Europe)	MCXL-X000-B-EU
Honeywell BW™ MicroClip XL, O2 - black housing, NA version (North America)	MCXL-X000-B-NA
Honeywell BW™ MicroClip XL, O2 - black housing, OE version (Other Regions, 2-pin UK plug)	MCXL-X000-B-OE
Honeywell BW™ MicroClip XL, O2 - black housing, OR version (Other Regions, 3-pin UK plug)	MCXL-X000-B-OR
Honeywell BW™ MicroClip XL, O2 - black housing, UK version (United Kingdom)	MCXL-X000-B-UK
Honeywell BW™ MicroClip XL, O2 - yellow housing, AU version (Australia)	MCXL-X000-Y-AU
Honeywell BW™ MicroClip XL, O2 - yellow housing, BR version (Brazil)	MCXL-X000-Y-BR
Honeywell BW™ MicroClip XL, O2 - yellow housing, CN version (China/New Zealand)	MCXL-X000-Y-CN
Honeywell BW™ MicroClip XL, O2 - yellow housing, EU version (Europe)	MCXL-X000-Y-EU

Full Product Index (continued)

Honeywell BW™ MicroClip XL Multi-Gas Detector	Order Number
Honeywell BW™ MicroClip XL, O2 - yellow housing, NA version (North America)	MCXL-X000-Y-NA
Honeywell BW™ MicroClip XL, O2 - yellow housing, OE version (Other Regions, 2-pin UK plug)	MCXL-X000-Y-OE
Honeywell BW™ MicroClip XL, O2 - yellow housing, OR version (Other Regions, 3-pin UK plug)	MCXL-X000-Y-OR
Honeywell BW™ MicroClip XL, O2 - yellow housing, UK version (United Kingdom)	MCXL-X000-Y-UK
Honeywell BW™ MicroClip XL, O2, CO - black housing, AU version (Australia)	MCXL-X00M-B-AU
Honeywell BW™ MicroClip XL, O2, CO - black housing, BR version (Brazil)	MCXL-X00M-B-BR
Honeywell BW™ MicroClip XL, O2, CO - black housing, CN version (China/New Zealand)	MCXL-X00M-B-CN
Honeywell BW™ MicroClip XL, O2, CO - black housing, EU version (Europe)	MCXL-X00M-B-EU
Honeywell BW™ MicroClip XL, O2, CO - black housing, NA version (North America)	MCXL-X00M-B-NA
Honeywell BW™ MicroClip XL, O2, CO - black housing, OE version (Other Regions, 2-pin UK plug)	MCXL-X00M-B-OE
Honeywell BW™ MicroClip XL, O2, CO - black housing, OR version (Other Regions, 3-pin UK plug)	MCXL-X00M-B-OR
Honeywell BW™ MicroClip XL, O2, CO - black housing, UK version (United Kingdom)	MCXL-X00M-B-UK
Honeywell BW™ MicroClip XL, O2, CO - yellow housing, AU version (Australia)	MCXL-X00M-Y-AU
Honeywell BW™ MicroClip XL, O2, CO - yellow housing, BR version (Brazil)	MCXL-X00M-Y-BR
Honeywell BW™ MicroClip XL, O2, CO - yellow housing, CN version (China/New Zealand)	MCXL-X00M-Y-CN
Honeywell BW™ MicroClip XL, O2, CO - yellow housing, EU version (Europe)	MCXL-X00M-Y-EU
Honeywell BW™ MicroClip XL, O2, CO - yellow housing, NA version (North America)	MCXL-X00M-Y-NA
Honeywell BW™ MicroClip XL, O2, CO - yellow housing, OE version (Other Regions, 2-pin UK plug)	MCXL-X00M-Y-OE
Honeywell BW™ MicroClip XL, O2, CO - yellow housing, OR version (Other Regions, 3-pin UK plug)	MCXL-X00M-Y-OR
Honeywell BW™ MicroClip XL, O2, CO - yellow housing, UK version (United Kingdom)	MCXL-X00M-Y-UK
Honeywell BW™ MicroClip XL, O2, H2S - black housing, AU version (Australia)	MCXL-X0H0-B-AU
Honeywell BW™ MicroClip XL, O2, H2S - black housing, BR version (Brazil)	MCXL-X0H0-B-BR
Honeywell BW™ MicroClip XL, O2, H2S - black housing, CN version (China/New Zealand)	MCXL-X0H0-B-CN
Honeywell BW™ MicroClip XL, O2, H2S - black housing, EU version (Europe)	MCXL-X0H0-B-EU
Honeywell BW™ MicroClip XL, O2, H2S - black housing, NA version (North America)	MCXL-X0H0-B-NA
Honeywell BW™ MicroClip XL, O2, H2S - black housing, OE version (Other Regions, 2-pin UK plug)	MCXL-X0H0-B-OE
Honeywell BW™ MicroClip XL, O2, H2S - black housing, OR version (Other Regions, 3-pin UK plug)	MCXL-X0H0-B-OR
Honeywell BW™ MicroClip XL, O2, H2S - black housing, UK version (United Kingdom)	MCXL-X0H0-B-UK
Honeywell BW™ MicroClip XL, O2, H2S - yellow housing, AU version (Australia)	MCXL-X0H0-Y-AU
Honeywell BW™ MicroClip XL, O2, H2S - yellow housing, BR version (Brazil)	MCXL-X0H0-Y-BR
Honeywell BW™ MicroClip XL, O2, H2S - yellow housing, CN version (China/New Zealand)	MCXL-X0H0-Y-CN
Honeywell BW™ MicroClip XL, O2, H2S - yellow housing, EU version (Europe)	MCXL-X0H0-Y-EU
Honeywell BW™ MicroClip XL, O2, H2S - yellow housing, NA version (North America)	MCXL-X0H0-Y-NA
Honeywell BW™ MicroClip XL, O2, H2S - yellow housing, OE version (Other Regions, 2-pin UK plug)	MCXL-X0H0-Y-OE
Honeywell BW™ MicroClip XL, O2, H2S - yellow housing, OR version (Other Regions, 3-pin UK plug)	MCXL-X0H0-Y-OR
Honeywell BW™ MicroClip XL, O2, H2S - yellow housing, UK version (United Kingdom)	MCXL-X0H0-Y-UK
Honeywell BW™ MicroClip XL, O2, H2S, CO - black housing, AU version (Australia)	MCXL-X0HM-B-AU
Honeywell BW™ MicroClip XL, O2, H2S, CO - black housing, BR version (Brazil)	MCXL-X0HM-B-BR
Honeywell BW™ MicroClip XL, O2, H2S, CO - black housing, CN version (China/New Zealand)	MCXL-X0HM-B-CN
Honeywell BW™ MicroClip XL, O2, H2S, CO - black housing, EU version (Europe)	MCXL-X0HM-B-EU
Honeywell BW™ MicroClip XL, O2, H2S, CO - black housing, NA version (North America)	MCXL-X0HM-B-NA
Honeywell BW™ MicroClip XL, O2, H2S, CO - black housing, OE version (Other Regions, 2-pin UK plug)	MCXL-X0HM-B-OE
Honeywell BW™ MicroClip XL, O2, H2S, CO - black housing, OR version (Other Regions, 3-pin UK plug)	MCXL-X0HM-B-OR
Honeywell BW™ MicroClip XL, O2, H2S, CO - black housing, UK version (United Kingdom)	MCXL-X0HM-B-UK
Honeywell BW™ MicroClip XL, O2, H2S, CO - yellow housing, AU version (Australia)	MCXL-X0HM-Y-AU
Honeywell BW™ MicroClip XL, O2, H2S, CO - yellow housing, BR version (Brazil)	MCXL-X0HM-Y-BR
Honeywell BW™ MicroClip XL, O2, H2S, CO - yellow housing, CN version (China/New Zealand)	MCXL-X0HM-Y-CN
Honeywell BW™ MicroClip XL, O2, H2S, CO - yellow housing, EU version (Europe)	MCXL-X0HM-Y-EU
Honeywell BW™ MicroClip XL, O2, H2S, CO - yellow housing, NA version (North America)	MCXL-X0HM-Y-NA
Honeywell BW™ MicroClip XL, O2, H2S, CO - yellow housing, OE version (Other Regions, 2-pin UK plug)	MCXL-X0HM-Y-OE
Honeywell BW™ MicroClip XL, O2, H2S, CO - yellow housing, OR version (Other Regions, 3-pin UK plug)	MCXL-X0HM-Y-OR
Honeywell BW™ MicroClip XL, O2, H2S, CO - yellow housing, UK version (United Kingdom)	MCXL-X0HM-Y-UK
Honeywell BW™ MicroClip XL, % LEL, O2 - black housing, AU version (Australia)	MCXL-XW00-B-AU
Honeywell BW™ MicroClip XL, % LEL, O2 - black housing, BR version (Brazil)	MCXL-XW00-B-BR
Honeywell BW™ MicroClip XL, % LEL, O2 - black housing, CN version (China/New Zealand)	MCXL-XW00-B-CN
Honeywell BW™ MicroClip XL, % LEL, O2 - black housing, EU version (Europe)	MCXL-XW00-B-EU
Honeywell BW™ MicroClip XL, % LEL, O2 - black housing, NA version (North America)	MCXL-XW00-B-NA
Honeywell BW™ MicroClip XL, % LEL, O2 - black housing, OE version (Other Regions, 2-pin UK plug)	MCXL-XW00-B-OE
Honeywell BW™ MicroClip XL, % LEL, O2 - black housing, OR version (Other Regions, 3-pin UK plug)	MCXL-XW00-B-OR
Honeywell BW™ MicroClip XL, % LEL, O2 - black housing, UK version (United Kingdom)	MCXL-XW00-B-UK
Honeywell BW™ MicroClip XL, % LEL, O2 - yellow housing, AU version (Australia)	MCXL-XW00-Y-AU
Honeywell BW™ MicroClip XL, % LEL, O2 - yellow housing, BR version (Brazil)	MCXL-XW00-Y-BR

Honeywell BW™ MicroClip XL Multi-Gas Detector	Order Number
Honeywell BW™ MicroClip XL, % LEL, O2 - yellow housing, CN version (China/New Zealand)	MCXL-XW00-Y-CN
Honeywell BW™ MicroClip XL, % LEL, O2 - yellow housing, EU version (Europe)	MCXL-XW00-Y-EU
Honeywell BW™ MicroClip XL, % LEL, O2 - yellow housing, NA version (North America)	MCXL-XW00-Y-NA
Honeywell BW™ MicroClip XL, % LEL, O2 - yellow housing, OE version (Other Regions, 2-pin UK plug)	MCXL-XW00-Y-OE
Honeywell BW™ MicroClip XL, % LEL, O2 - yellow housing, OR version (Other Regions, 3-pin UK plug)	MCXL-XW00-Y-OR
Honeywell BW™ MicroClip XL, % LEL, O2 - yellow housing, UK version (United Kingdom)	MCXL-XW00-Y-UK
Honeywell BW™ MicroClip XL, % LEL, O2, CO - black housing, AU version (Australia)	MCXL-XW0M-B-AU
Honeywell BW™ MicroClip XL, % LEL, O2, CO - black housing, BR version (Brazil)	MCXL-XW0M-B-BR
Honeywell BW™ MicroClip XL, % LEL, O2, CO - black housing, CN version (China/New Zealand)	MCXL-XW0M-B-CN
Honeywell BW™ MicroClip XL, % LEL, O2, CO - black housing, EU version (Europe)	MCXL-XW0M-B-EU
Honeywell BW™ MicroClip XL, % LEL, O2, CO - black housing, NA version (North America)	MCXL-XW0M-B-NA
Honeywell BW™ MicroClip XL, % LEL, O2, CO - black housing, OE version (Other Regions, 2-pin UK plug)	MCXL-XW0M-B-OE
Honeywell BW™ MicroClip XL, % LEL, O2, CO - black housing, OR version (Other Regions, 3-pin UK plug)	MCXL-XW0M-B-OR
Honeywell BW™ MicroClip XL, % LEL, O2, CO - black housing, UK version (United Kingdom)	MCXL-XW0M-B-UK
Honeywell BW™ MicroClip XL, % LEL, O2, CO - yellow housing, AU version (Australia)	MCXL-XW0M-Y-AU
Honeywell BW™ MicroClip XL, % LEL, O2, CO - yellow housing, BR version (Brazil)	MCXL-XW0M-Y-BR
Honeywell BW™ MicroClip XL, % LEL, O2, CO - yellow housing, CN version (China/New Zealand)	MCXL-XW0M-Y-CN
Honeywell BW™ MicroClip XL, % LEL, O2, CO - yellow housing, EU version (Europe)	MCXL-XW0M-Y-EU
Honeywell BW™ MicroClip XL, % LEL, O2, CO - yellow housing, NA version (North America)	MCXL-XW0M-Y-NA
Honeywell BW™ MicroClip XL, % LEL, O2, CO - yellow housing, OE version (Other Regions, 2-pin UK plug)	MCXL-XW0M-Y-OE
Honeywell BW™ MicroClip XL, % LEL, O2, CO - yellow housing, OR version (Other Regions, 3-pin UK plug)	MCXL-XW0M-Y-OR
Honeywell BW™ MicroClip XL, % LEL, O2, CO - yellow housing, UK version (United Kingdom)	MCXL-XW0M-Y-UK
Honeywell BW™ MicroClip XL, % LEL, O2, H2S - black housing, AU version (Australia)	MCXL-XWH0-B-AU
Honeywell BW™ MicroClip XL, % LEL, O2, H2S - black housing, BR version (Brazil)	MCXL-XWH0-B-BR
Honeywell BW™ MicroClip XL, % LEL, O2, H2S - black housing, CN version (China/New Zealand)	MCXL-XWH0-B-CN
Honeywell BW™ MicroClip XL, % LEL, O2, H2S - black housing, EU version (Europe)	MCXL-XWH0-B-EU
Honeywell BW™ MicroClip XL, % LEL, O2, H2S - black housing, NA version (North America)	MCXL-XWH0-B-NA
Honeywell BW™ MicroClip XL, % LEL, O2, H2S - black housing, OE version (Other Regions, 2-pin UK plug)	MCXL-XWH0-B-OE
Honeywell BW™ MicroClip XL, % LEL, O2, H2S - black housing, OR version (Other Regions, 3-pin UK plug)	MCXL-XWH0-B-OR
Honeywell BW™ MicroClip XL, % LEL, O2, H2S - black housing, UK version (United Kingdom)	MCXL-XWH0-B-UK
Honeywell BW™ MicroClip XL, % LEL, O2, H2S - yellow housing, AU version (Australia)	MCXL-XWH0-Y-AU
Honeywell BW™ MicroClip XL, % LEL, O2, H2S - yellow housing, BR version (Brazil)	MCXL-XWH0-Y-BR
Honeywell BW™ MicroClip XL, % LEL, O2, H2S - yellow housing, CN version (China/New Zealand)	MCXL-XWH0-Y-CN
Honeywell BW™ MicroClip XL, % LEL, O2, H2S - yellow housing, EU version (Europe)	MCXL-XWH0-Y-EU
Honeywell BW™ MicroClip XL, % LEL, O2, H2S - yellow housing, NA version (North America)	MCXL-XWH0-Y-NA
Honeywell BW™ MicroClip XL, % LEL, O2, H2S - yellow housing, OE version (Other Regions, 2-pin UK plug)	MCXL-XWH0-Y-OE
Honeywell BW™ MicroClip XL, % LEL, O2, H2S - yellow housing, OR version (Other Regions, 3-pin UK plug)	MCXL-XWH0-Y-OR
Honeywell BW™ MicroClip XL, % LEL, O2, H2S - yellow housing, UK version (United Kingdom)	MCXL-XWH0-Y-UK
Honeywell BW™ MicroClip XL, % LEL, O2, H2S, CO - black housing, AU version (Australia)	MCXL-XWHM-B-AU
Honeywell BW™ MicroClip XL, % LEL, O2, H2S, CO - black housing, BR version (Brazil)	MCXL-XWHM-B-BR
Honeywell BW™ MicroClip XL, % LEL, O2, H2S, CO - black housing, CN version (China/New Zealand)	MCXL-XWHM-B-CN
Honeywell BW™ MicroClip XL, % LEL, O2, H2S, CO - black housing, EU version (Europe)	MCXL-XWHM-B-EU
Honeywell BW™ MicroClip XL, % LEL, O2, H2S, CO - black housing, NA version (North America)	MCXL-XWHM-B-NA
Honeywell BW™ MicroClip XL, % LEL, O2, H2S, CO - black housing, OE version (Other Regions, 2-pin UK plug)	MCXL-XWHM-B-OE
Honeywell BW™ MicroClip XL, % LEL, O2, H2S, CO - black housing, OR version (Other Regions, 3-pin UK plug)	MCXL-XWHM-B-OR
Honeywell BW™ MicroClip XL, % LEL, O2, H2S, CO - black housing, UK version (United Kingdom)	MCXL-XWHM-B-UK
Honeywell BW™ MicroClip XL, % LEL, O2, H2S, CO - yellow housing, AU version (Australia)	MCXL-XWHM-Y-AU
Honeywell BW™ MicroClip XL, % LEL, O2, H2S, CO - yellow housing, BR version (Brazil)	MCXL-XWHM-Y-BR
Honeywell BW™ MicroClip XL, % LEL, O2, H2S, CO - yellow housing, CN version (China/New Zealand)	MCXL-XWHM-Y-CN
Honeywell BW™ MicroClip XL, % LEL, O2, H2S, CO - yellow housing, EU version (Europe)	MCXL-XWHM-Y-EU
Honeywell BW™ MicroClip XL, % LEL, O2, H2S, CO - yellow housing, NA version (North America)	MCXL-XWHM-Y-NA
Honeywell BW™ MicroClip XL, % LEL, O2, H2S, CO - yellow housing, OE version (Other Regions, 2-pin UK plug)	MCXL-XWHM-Y-OE
Honeywell BW™ MicroClip XL, % LEL, O2, H2S, CO - yellow housing, OR version (Other Regions, 3-pin UK plug)	MCXL-XWHM-Y-OR
Honeywell BW™ MicroClip XL, % LEL, O2, H2S, CO - yellow housing, UK version (United Kingdom)	MCXL-XWHM-Y-UK
Honeywell BW™ MicroClip X3 Multi-Gas Detector	Order Number
Honeywell BW™ MicroClip X3, CO - black housing, AU version (Australia)	MCX3-000M-B-AU
Honeywell BW™ MicroClip X3, CO - black housing, BR version (Brazil)	MCX3-000M-B-BR
Honeywell BW™ MicroClip X3, CO - black housing, CN version (China/New Zealand)	MCX3-000M-B-CH
Honeywell BW™ MicroClip X3, CO - black housing, EU version (Europe)	MCX3-000M-B-EU
Honeywell BW™ MicroClip X3, CO - black housing, NA version (North America)	MCX3-000M-B-NA
Honeywell BW™ MicroClip X3, CO - black housing, OE version (Other Regions, 2-pin UK plug)	MCX3-000M-B-OE

Full Product Index (continued)

Honeywell BW™ MicroClip X3 Multi-Gas Detector	Order Number
Honeywell BW™ MicroClip X3, CO - black housing, OR version (Other Regions, 3-pin UK plug)	MCX3-000M-B-OR
Honeywell BW™ MicroClip X3, CO - black housing, OR version (United Kingdom)	MCX3-000M-B-UK
Honeywell BW™ MicroClip X3, CO - yellow housing, AU version (Australia)	MCX3-000M-Y-AU
Honeywell BW™ MicroClip X3, CO - yellow housing, BR version (Brazil)	MCX3-000M-Y-BR
Honeywell BW™ MicroClip X3, CO - yellow housing, CN version (China/New Zealand)	MCX3-000M-Y-CH
Honeywell BW™ MicroClip X3, CO - yellow housing, EU version (Europe)	MCX3-000M-Y-EU
Honeywell BW™ MicroClip X3, CO - yellow housing, NA version (North America)	MCX3-000M-Y-NA
Honeywell BW™ MicroClip X3, CO - yellow housing, OE version (Other Regions, 2-pin UK plug)	MCX3-000M-Y-OE
Honeywell BW™ MicroClip X3, CO - yellow housing, OR version (Other Regions, 3-pin UK plug)	MCX3-000M-Y-OR
Honeywell BW™ MicroClip X3, CO - yellow housing, OR version (United Kingdom)	MCX3-000M-Y-UK
Honeywell BW™ MicroClip X3, H2S - black housing, AU version (Australia)	MCX3-00H0-B-AU
Honeywell BW™ MicroClip X3, H2S - black housing, BR version (Brazil)	MCX3-00H0-B-BR
Honeywell BW™ MicroClip X3, H2S - black housing, CN version (China/New Zealand)	MCX3-00H0-B-CH
Honeywell BW™ MicroClip X3, H2S - black housing, EU version (Europe)	MCX3-00H0-B-EU
Honeywell BW™ MicroClip X3, H2S - black housing, NA version (North America)	MCX3-00H0-B-NA
Honeywell BW™ MicroClip X3, H2S - black housing, OE version (Other Regions, 2-pin UK plug)	MCX3-00H0-B-OE
Honeywell BW™ MicroClip X3, H2S - black housing, OR version (Other Regions, 3-pin UK plug)	MCX3-00H0-B-OR
Honeywell BW™ MicroClip X3, H2S - black housing, OR version (United Kingdom)	MCX3-00H0-B-UK
Honeywell BW™ MicroClip X3, H2S - yellow housing, AU version (Australia)	MCX3-00H0-Y-AU
Honeywell BW™ MicroClip X3, H2S - yellow housing, BR version (Brazil)	MCX3-00H0-Y-BR
Honeywell BW™ MicroClip X3, H2S - yellow housing, CN version (China/New Zealand)	MCX3-00H0-Y-CH
Honeywell BW™ MicroClip X3, H2S - yellow housing, EU version (Europe)	MCX3-00H0-Y-EU
Honeywell BW™ MicroClip X3, H2S - yellow housing, NA version (North America)	MCX3-00H0-Y-NA
Honeywell BW™ MicroClip X3, H2S - yellow housing, OE version (Other Regions, 2-pin UK plug)	MCX3-00H0-Y-OE
Honeywell BW™ MicroClip X3, H2S - yellow housing, OR version (Other Regions, 3-pin UK plug)	MCX3-00H0-Y-OR
Honeywell BW™ MicroClip X3, H2S - yellow housing, OR version (United Kingdom)	MCX3-00H0-Y-UK
Honeywell BW™ MicroClip X3, H2S, CO - black housing, AU version (Australia)	MCX3-00HM-B-AU
Honeywell BW™ MicroClip X3, H2S, CO - black housing, BR version (Brazil)	MCX3-00HM-B-BR
Honeywell BW™ MicroClip X3, H2S, CO - black housing, CN version (China/New Zealand)	MCX3-00HM-B-CH
Honeywell BW™ MicroClip X3, H2S, CO - black housing, EU version (Europe)	MCX3-00HM-B-EU
Honeywell BW™ MicroClip X3, H2S, CO - black housing, NA version (North America)	MCX3-00HM-B-NA
Honeywell BW™ MicroClip X3, H2S, CO - black housing, OE version (Other Regions, 2-pin UK plug)	MCX3-00HM-B-OE
Honeywell BW™ MicroClip X3, H2S, CO - black housing, OR version (Other Regions, 3-pin UK plug)	MCX3-00HM-B-OR
Honeywell BW™ MicroClip X3, H2S, CO - black housing, OR version (United Kingdom)	MCX3-00HM-B-UK
Honeywell BW™ MicroClip X3, H2S, CO - yellow housing, AU version (Australia)	MCX3-00HM-Y-AU
Honeywell BW™ MicroClip X3, H2S, CO - yellow housing, BR version (Brazil)	MCX3-00HM-Y-BR
Honeywell BW™ MicroClip X3, H2S, CO - yellow housing, CN version (China/New Zealand)	MCX3-00HM-Y-CH
Honeywell BW™ MicroClip X3, H2S, CO - yellow housing, EU version (Europe)	MCX3-00HM-Y-EU
Honeywell BW™ MicroClip X3, H2S, CO - yellow housing, NA version (North America)	MCX3-00HM-Y-NA
Honeywell BW™ MicroClip X3, H2S, CO - yellow housing, OE version (Other Regions, 2-pin UK plug)	MCX3-00HM-Y-OE
Honeywell BW™ MicroClip X3, H2S, CO - yellow housing, OR version (Other Regions, 3-pin UK plug)	MCX3-00HM-Y-OR
Honeywell BW™ MicroClip X3, H2S, CO - yellow housing, OR version (United Kingdom)	MCX3-00HM-Y-UK
Honeywell BW™ MicroClip X3, O2 - black housing, AU version (Australia)	MCX3-X000-B-AU
Honeywell BW™ MicroClip X3, O2 - black housing, BR version (Brazil)	MCX3-X000-B-BR
Honeywell BW™ MicroClip X3, O2 - black housing, CN version (China/New Zealand)	MCX3-X000-B-CH
Honeywell BW™ MicroClip X3, O2 - black housing, EU version (Europe)	MCX3-X000-B-EU
Honeywell BW™ MicroClip X3, O2 - black housing, NA version (North America)	MCX3-X000-B-NA
Honeywell BW™ MicroClip X3, O2 - black housing, OE version (Other Regions, 2-pin UK plug)	MCX3-X000-B-OE
Honeywell BW™ MicroClip X3, O2 - black housing, OR version (Other Regions, 3-pin UK plug)	MCX3-X000-B-OR
Honeywell BW™ MicroClip X3, O2 - black housing, OR version (United Kingdom)	MCX3-X000-B-UK
Honeywell BW™ MicroClip X3, O2 - yellow housing, AU version (Australia)	MCX3-X000-Y-AU
Honeywell BW™ MicroClip X3, O2 - yellow housing, BR version (Brazil)	MCX3-X000-Y-BR
Honeywell BW™ MicroClip X3, O2 - yellow housing, CN version (China/New Zealand)	MCX3-X000-Y-CH
Honeywell BW™ MicroClip X3, O2 - yellow housing, EU version (Europe)	MCX3-X000-Y-EU
Honeywell BW™ MicroClip X3, O2 - yellow housing, NA version (North America)	MCX3-X000-Y-NA
Honeywell BW™ MicroClip X3, O2 - yellow housing, OE version (Other Regions, 2-pin UK plug)	MCX3-X000-Y-OE
Honeywell BW™ MicroClip X3, O2 - yellow housing, OR version (Other Regions, 3-pin UK plug)	MCX3-X000-Y-OR
Honeywell BW™ MicroClip X3, O2 - yellow housing, OR version (United Kingdom)	MCX3-X000-Y-UK
Honeywell BW™ MicroClip X3, O2, CO - black housing, AU version (Australia)	MCX3-X00M-B-AU
Honeywell BW™ MicroClip X3, O2, CO - black housing, BR version (Brazil)	MCX3-X00M-B-BR
Honeywell BW™ MicroClip X3, O2, CO - black housing, CN version (China/New Zealand)	MCX3-X00M-B-CH
Honeywell BW™ MicroClip X3, O2, CO - black housing, EU version (Europe)	MCX3-X00M-B-EU

Honeywell BW™ MicroClip X3 Multi-Gas Detector	Order Number
Honeywell BW™ MicroClip X3, O2, CO - black housing, NA version (North America)	MCX3-X00M-B-NA
Honeywell BW™ MicroClip X3, O2, CO - black housing, OE version (Other Regions, 2-pin UK plug)	MCX3-X00M-B-OE
Honeywell BW™ MicroClip X3, O2, CO - black housing, OR version (Other Regions, 3-pin UK plug)	MCX3-X00M-B-OR
Honeywell BW™ MicroClip X3, O2, CO - black housing, OR version (United Kingdom)	MCX3-X00M-B-UK
Honeywell BW™ MicroClip X3, O2, CO - yellow housing, AU version (Australia)	MCX3-X00M-Y-AU
Honeywell BW™ MicroClip X3, O2, CO - yellow housing, BR version (Brazil)	MCX3-X00M-Y-BR
Honeywell BW™ MicroClip X3, O2, CO - yellow housing, CN version (China/New Zealand)	MCX3-X00M-Y-CH
Honeywell BW™ MicroClip X3, O2, CO - yellow housing, EU version (Europe)	MCX3-X00M-Y-EU
Honeywell BW™ MicroClip X3, O2, CO - yellow housing, NA version (North America)	MCX3-X00M-Y-NA
Honeywell BW™ MicroClip X3, O2, CO - yellow housing, OE version (Other Regions, 2-pin UK plug)	MCX3-X00M-Y-OE
Honeywell BW™ MicroClip X3, O2, CO - yellow housing, OR version (Other Regions, 3-pin UK plug)	MCX3-X00M-Y-OR
Honeywell BW™ MicroClip X3, O2, CO - yellow housing, OR version (United Kingdom)	MCX3-X00M-Y-UK
Honeywell BW™ MicroClip X3, O2, H2S - black housing, AU version (Australia)	MCX3-X0H0-B-AU
Honeywell BW™ MicroClip X3, O2, H2S - black housing, BR version (Brazil)	MCX3-X0H0-B-BR
Honeywell BW™ MicroClip X3, O2, H2S - black housing, CN version (China/New Zealand)	MCX3-X0H0-B-CH
Honeywell BW™ MicroClip X3, O2, H2S - black housing, EU version (Europe)	MCX3-X0H0-B-EU
Honeywell BW™ MicroClip X3, O2, H2S - black housing, NA version (North America)	MCX3-X0H0-B-NA
Honeywell BW™ MicroClip X3, O2, H2S - black housing, OE version (Other Regions, 2-pin UK plug)	MCX3-X0H0-B-OE
Honeywell BW™ MicroClip X3, O2, H2S - black housing, OR version (Other Regions, 3-pin UK plug)	MCX3-X0H0-B-OR
Honeywell BW™ MicroClip X3, O2, H2S - black housing, OR version (United Kingdom)	MCX3-X0H0-B-UK
Honeywell BW™ MicroClip X3, O2, H2S - yellow housing, AU version (Australia)	MCX3-X0H0-Y-AU
Honeywell BW™ MicroClip X3, O2, H2S - yellow housing, BR version (Brazil)	MCX3-X0H0-Y-BR
Honeywell BW™ MicroClip X3, O2, H2S - yellow housing, CN version (China/New Zealand)	MCX3-X0H0-Y-CH
Honeywell BW™ MicroClip X3, O2, H2S - yellow housing, EU version (Europe)	MCX3-X0H0-Y-EU
Honeywell BW™ MicroClip X3, O2, H2S - yellow housing, NA version (North America)	MCX3-X0H0-Y-NA
Honeywell BW™ MicroClip X3, O2, H2S - yellow housing, OE version (Other Regions, 2-pin UK plug)	MCX3-X0H0-Y-OE
Honeywell BW™ MicroClip X3, O2, H2S - yellow housing, OR version (Other Regions, 3-pin UK plug)	MCX3-X0H0-Y-OR
Honeywell BW™ MicroClip X3, O2, H2S - yellow housing, OR version (United Kingdom)	MCX3-X0H0-Y-UK
Honeywell BW™ MicroClip X3, O2, H2S, CO - black housing, AU version (Australia)	MCX3-X0HM-B-AU
Honeywell BW™ MicroClip X3, O2, H2S, CO - black housing, BR version (Brazil)	MCX3-X0HM-B-BR
Honeywell BW™ MicroClip X3, O2, H2S, CO - black housing, CN version (China/New Zealand)	MCX3-X0HM-B-CH
Honeywell BW™ MicroClip X3, O2, H2S, CO - black housing, EU version (Europe)	MCX3-X0HM-B-EU
Honeywell BW™ MicroClip X3, O2, H2S, CO - black housing, NA version (North America)	MCX3-X0HM-B-NA
Honeywell BW™ MicroClip X3, O2, H2S, CO - black housing, OE version (Other Regions, 2-pin UK plug)	MCX3-X0HM-B-OE
Honeywell BW™ MicroClip X3, O2, H2S, CO - black housing, OR version (Other Regions, 3-pin UK plug)	MCX3-X0HM-B-OR
Honeywell BW™ MicroClip X3, O2, H2S, CO - black housing, OR version (United Kingdom)	MCX3-X0HM-B-UK
Honeywell BW™ MicroClip X3, O2, H2S, CO - yellow housing, AU version (Australia)	MCX3-X0HM-Y-AU
Honeywell BW™ MicroClip X3, O2, H2S, CO - yellow housing, BR version (Brazil)	MCX3-X0HM-Y-BR
Honeywell BW™ MicroClip X3, O2, H2S, CO - yellow housing, CN version (China/New Zealand)	MCX3-X0HM-Y-CH
Honeywell BW™ MicroClip X3, O2, H2S, CO - yellow housing, EU version (Europe)	MCX3-X0HM-Y-EU
Honeywell BW™ MicroClip X3, O2, H2S, CO - yellow housing, NA version (North America)	MCX3-X0HM-Y-NA
Honeywell BW™ MicroClip X3, O2, H2S, CO - yellow housing, OE version (Other Regions, 2-pin UK plug)	MCX3-X0HM-Y-OE
Honeywell BW™ MicroClip X3, O2, H2S, CO - yellow housing, OR version (Other Regions, 3-pin UK plug)	MCX3-X0HM-Y-OR
Honeywell BW™ MicroClip X3, O2, H2S, CO - yellow housing, OR version (United Kingdom)	MCX3-X0HM-Y-UK
Honeywell BW™ MicroClip X3, % LEL, O2 - black housing, AU version (Australia)	MCX3-XW00-B-AU
Honeywell BW™ MicroClip X3, % LEL, O2 - black housing, BR version (Brazil)	MCX3-XW00-B-BR
Honeywell BW™ MicroClip X3, % LEL, O2 - black housing, CN version (China/New Zealand)	MCX3-XW00-B-CH
Honeywell BW™ MicroClip X3, % LEL, O2 - black housing, EU version (Europe)	MCX3-XW00-B-EU
Honeywell BW™ MicroClip X3, % LEL, O2 - black housing, NA version (North America)	MCX3-XW00-B-NA
Honeywell BW™ MicroClip X3, % LEL, O2 - black housing, OE version (Other Regions, 2-pin UK plug)	MCX3-XW00-B-OE
Honeywell BW™ MicroClip X3, % LEL, O2 - black housing, OR version (Other Regions, 3-pin UK plug)	MCX3-XW00-B-OR
Honeywell BW™ MicroClip X3, % LEL, O2 - black housing, OR version (United Kingdom)	MCX3-XW00-B-UK
Honeywell BW™ MicroClip X3, % LEL, O2 - yellow housing, AU version (Australia)	MCX3-XW00-Y-AU
Honeywell BW™ MicroClip X3, % LEL, O2 - yellow housing, BR version (Brazil)	MCX3-XW00-Y-BR
Honeywell BW™ MicroClip X3, % LEL, O2 - yellow housing, CN version (China/New Zealand)	MCX3-XW00-Y-CH
Honeywell BW™ MicroClip X3, % LEL, O2 - yellow housing, EU version (Europe)	MCX3-XW00-Y-EU
Honeywell BW™ MicroClip X3, % LEL, O2 - yellow housing, NA version (North America)	MCX3-XW00-Y-NA
Honeywell BW™ MicroClip X3, % LEL, O2 - yellow housing, OE version (Other Regions, 2-pin UK plug)	MCX3-XW00-Y-OE
Honeywell BW™ MicroClip X3, % LEL, O2 - yellow housing, OR version (Other Regions, 3-pin UK plug)	MCX3-XW00-Y-OR
Honeywell BW™ MicroClip X3, % LEL, O2 - yellow housing, OR version (United Kingdom)	MCX3-XW00-Y-UK
Honeywell BW™ MicroClip X3, % LEL, O2, CO - black housing, AU version (Australia)	MCX3-XW0M-B-AU
Honeywell BW™ MicroClip X3, % LEL, O2, CO - black housing, BR version (Brazil)	MCX3-XW0M-B-BR

Full Product Index (continued)

Honeywell BW™ MicroClip X3 Multi-Gas Detector	Order Number
Honeywell BW™ MicroClip X3, % LEL, O2, CO - black housing, CN version (China/New Zealand)	MCX3-XWOM-B-CH
Honeywell BW™ MicroClip X3, % LEL, O2, CO - black housing, EU version (Europe)	MCX3-XWOM-B-EU
Honeywell BW™ MicroClip X3, % LEL, O2, CO - black housing, NA version (North America)	MCX3-XWOM-B-NA
Honeywell BW™ MicroClip X3, % LEL, O2, CO - black housing, OE version (Other Regions, 2-pin UK plug)	MCX3-XWOM-B-OE
Honeywell BW™ MicroClip X3, % LEL, O2, CO - black housing, OR version (Other Regions, 3-pin UK plug)	MCX3-XWOM-B-OR
Honeywell BW™ MicroClip X3, % LEL, O2, CO - black housing, OR version (United Kingdom)	MCX3-XWOM-B-UK
Honeywell BW™ MicroClip X3, % LEL, O2, CO - yellow housing, AU version (Australia)	MCX3-XWOM-Y-AU
Honeywell BW™ MicroClip X3, % LEL, O2, CO - yellow housing, BR version (Brazil)	MCX3-XWOM-Y-BR
Honeywell BW™ MicroClip X3, % LEL, O2, CO - yellow housing, CN version (China/New Zealand)	MCX3-XWOM-Y-CH
Honeywell BW™ MicroClip X3, % LEL, O2, CO - yellow housing, EU version (Europe)	MCX3-XWOM-Y-EU
Honeywell BW™ MicroClip X3, % LEL, O2, CO - yellow housing, NA version (North America)	MCX3-XWOM-Y-NA
Honeywell BW™ MicroClip X3, % LEL, O2, CO - yellow housing, OE version (Other Regions, 2-pin UK plug)	MCX3-XWOM-Y-OE
Honeywell BW™ MicroClip X3, % LEL, O2, CO - yellow housing, OR version (Other Regions, 3-pin UK plug)	MCX3-XWOM-Y-OR
Honeywell BW™ MicroClip X3, % LEL, O2, CO - yellow housing, OR version (United Kingdom)	MCX3-XWOM-Y-UK
Honeywell BW™ MicroClip X3, % LEL, O2, H2S - black housing, AU version (Australia)	MCX3-XWHO-B-AU
Honeywell BW™ MicroClip X3, % LEL, O2, H2S - black housing, BR version (Brazil)	MCX3-XWHO-B-BR
Honeywell BW™ MicroClip X3, % LEL, O2, H2S - black housing, CN version (China/New Zealand)	MCX3-XWHO-B-CH
Honeywell BW™ MicroClip X3, % LEL, O2, H2S - black housing, EU version (Europe)	MCX3-XWHO-B-EU
Honeywell BW™ MicroClip X3, % LEL, O2, H2S - black housing, NA version (North America)	MCX3-XWHO-B-NA
Honeywell BW™ MicroClip X3, % LEL, O2, H2S - black housing, OE version (Other Regions, 2-pin UK plug)	MCX3-XWHO-B-OE
Honeywell BW™ MicroClip X3, % LEL, O2, H2S - black housing, OR version (Other Regions, 3-pin UK plug)	MCX3-XWHO-B-OR
Honeywell BW™ MicroClip X3, % LEL, O2, H2S - black housing, OR version (United Kingdom)	MCX3-XWHO-B-UK
Honeywell BW™ MicroClip X3, % LEL, O2, H2S - yellow housing, AU version (Australia)	MCX3-XWHO-Y-AU
Honeywell BW™ MicroClip X3, % LEL, O2, H2S - yellow housing, BR version (Brazil)	MCX3-XWHO-Y-BR
Honeywell BW™ MicroClip X3, % LEL, O2, H2S - yellow housing, CN version (China/New Zealand)	MCX3-XWHO-Y-CH
Honeywell BW™ MicroClip X3, % LEL, O2, H2S - yellow housing, EU version (Europe)	MCX3-XWHO-Y-EU
Honeywell BW™ MicroClip X3, % LEL, O2, H2S - yellow housing, NA version (North America)	MCX3-XWHO-Y-NA
Honeywell BW™ MicroClip X3, % LEL, O2, H2S - yellow housing, OE version (Other Regions, 2-pin UK plug)	MCX3-XWHO-Y-OE
Honeywell BW™ MicroClip X3, % LEL, O2, H2S - yellow housing, OR version (Other Regions, 3-pin UK plug)	MCX3-XWHO-Y-OR
Honeywell BW™ MicroClip X3, % LEL, O2, H2S - yellow housing, OR version (United Kingdom)	MCX3-XWHO-Y-UK
Honeywell BW™ MicroClip X3, % LEL, O2, H2S, CO - black housing, AU version (Australia)	MCX3-XWHM-B-AU
Honeywell BW™ MicroClip X3, % LEL, O2, H2S, CO - black housing, BR version (Brazil)	MCX3-XWHM-B-BR
Honeywell BW™ MicroClip X3, % LEL, O2, H2S, CO - black housing, CN version (China/New Zealand)	MCX3-XWHM-B-CH
Honeywell BW™ MicroClip X3, % LEL, O2, H2S, CO - black housing, EU version (Europe)	MCX3-XWHM-B-EU
Honeywell BW™ MicroClip X3, % LEL, O2, H2S, CO - black housing, NA version (North America)	MCX3-XWHM-B-NA
Honeywell BW™ MicroClip X3, % LEL, O2, H2S, CO - black housing, OE version (Other Regions, 2-pin UK plug)	MCX3-XWHM-B-OE
Honeywell BW™ MicroClip X3, % LEL, O2, H2S, CO - black housing, OR version (Other Regions, 3-pin UK plug)	MCX3-XWHM-B-OR
Honeywell BW™ MicroClip X3, % LEL, O2, H2S, CO - black housing, OR version (United Kingdom)	MCX3-XWHM-B-UK
Honeywell BW™ MicroClip X3, % LEL, O2, H2S, CO - yellow housing, AU version (Australia)	MCX3-XWHM-Y-AU
Honeywell BW™ MicroClip X3, % LEL, O2, H2S, CO - yellow housing, BR version (Brazil)	MCX3-XWHM-Y-BR
Honeywell BW™ MicroClip X3, % LEL, O2, H2S, CO - yellow housing, CN version (China/New Zealand)	MCX3-XWHM-Y-CH
Honeywell BW™ MicroClip X3, % LEL, O2, H2S, CO - yellow housing, EU version (Europe)	MCX3-XWHM-Y-EU
Honeywell BW™ MicroClip X3, % LEL, O2, H2S, CO - yellow housing, NA version (North America)	MCX3-XWHM-Y-NA
Honeywell BW™ MicroClip X3, % LEL, O2, H2S, CO - yellow housing, OE version (Other Regions, 2-pin UK plug)	MCX3-XWHM-Y-OE
Honeywell BW™ MicroClip X3, % LEL, O2, H2S, CO - yellow housing, OR version (Other Regions, 3-pin UK plug)	MCX3-XWHM-Y-OR
Honeywell BW™ MicroClip X3, % LEL, O2, H2S, CO - yellow housing, OR version (United Kingdom)	MCX3-XWHM-Y-UK
Honeywell BW™ MicroClip Accessories	Order Number
Carrying Case for Honeywell BW™ MicroClip - includes foam and lid insert from confined space kit. Note: Detector and calibration gas sold separately.	MC-CK-CC
Honeywell BW™ MicroClip deluxe confined space kit - includes manual aspirator kit, IR connectivity kit with Fleet Manager II software, calibration cap with 1 ft. / 0.3 m hose, 0.5 LPM regulator, sampling probe, leather carrying case, auxiliary filter and carrying case with foam insert. Note: Detector and calibration gas sold separately.	MC-CK-DL
Manual aspirator pump kit with probe (1 ft. / 0.3 m) for Honeywell BW™ MicroClip	MC-AS01
Black leather PVC carrying holster	MC2-LC-1
Auxiliary filter adaptor (no filters)	MC-AF-1
Auxiliary filter kit (complete with filter adaptor and 5 filters)	MC-AF-K1
Auxiliary filter replacement for adaptor (kit of 10)	MC-SS-AF-K1
Multi-unit (5) cradle charger for Honeywell BW™ MicroClip	MC2-C01-MC5
Honeywell BW™ MicroClip Replacements, Spare & Service Parts	Order Number
Replacement test cap and hose (1 ft. / 0.3 m)	MC-TC-1
Replacement quad sensor screen filters (kit of 2)	MC2-SS

Honeywell BW™ MicroClip Replacements, Spare & Service Parts	Order Number
Replacement quad sensor screen filters (kit of 10)	MC2-SS-K1
Replacement LCD kit	MC-LCD-K1
Replacement screw kit (kit of 20 screws, services 5 units)	MC-SCREW-K1
Replacement back cover for Honeywell BW™ MicroClip XL (yellow)	MCXL-BC1
Replacement back cover for Honeywell BW™ MicroClip XL (black)	MCXL-BC1B
Replacement front cover for Honeywell BW™ MicroClip XL (yellow)	MCXL-FC1
Replacement front cover for Honeywell BW™ MicroClip XL (black)	MCXL-FC1B
Replacement Flex PCB for Honeywell BW™ MicroClip XL	MC2-FPCB1
Replacement Main PCB board for Honeywell BW™ MicroClip XL	MCXL-MPCB1
Replacement back enclosure (yellow) with screws and alligator clip for Honeywell BW™ MicroClip X3	MCX3-BC1
Replacement back enclosure (black) with screws and alligator clip for Honeywell BW™ MicroClip X3	MCX3-BC1B
Replacement front enclosure (yellow) for Honeywell BW™ MicroClip X3	MCX3-FC1
Replacement front enclosure (black) for Honeywell BW™ MicroClip X3	MCX3-FC1B
Replacement Flex PCB for Honeywell BW™ MicroClip X3	MCX3-FPCB1
Replacement main PCB with battery and screws for Honeywell BW™ MicroClip X3	MCX3-MPCB1

Honeywell BW™ Clip4 Multi-Gas Detector	Order Number
O2, LEL, H2S, CO - black housing, Australian version	BWC4-B-A
O2, LEL, H2S, CO - black housing, Brazilian version	BWC4-B-B
O2, LEL, H2S, CO - black housing, Chinese/New Zealand version	BWC4-B-C
O2, LEL, H2S, CO - black housing, European version	BWC4-B-E
O2, LEL, H2S, CO - black housing, North American version	BWC4-B-N
O2, LEL, H2S, CO - black housing, Russian version	BWC4-B-R
O2, LEL, H2S, CO - black housing, United Kingdom version	BWC4-B-U
O2, LEL, H2S, CO - yellow housing, Australian version	BWC4-Y-A
O2, LEL, H2S, CO - yellow housing, Brazilian version	BWC4-Y-B
O2, LEL, H2S, CO - yellow housing, Chinese/New Zealand version	BWC4-Y-C
O2, LEL, H2S, CO - yellow housing, European version	BWC4-Y-E
O2, LEL, H2S, CO - yellow housing, North American version	BWC4-Y-N
O2, LEL, H2S, CO - yellow housing, Russian version	BWC4-Y-R
O2, LEL, H2S, CO - yellow housing, United Kingdom version	BWC4-Y-U

Honeywell BW™ Clip4 Replacements, Spare & Service Parts	Order Number
Replacement sensor screens for Honeywell BW™ Clip4 (kit of 2)	BWC4-SS
Replacement sensor screens for Honeywell BW™ Clip4 (kit of 10)	BWC4-SS-K1
Replacement test cap for Honeywell BW™ Clip4	BWC4-TC
Replacement alligator clip for Honeywell BW™ Clip4	BWC4-AG
Replacement screw kit for Honeywell BW™ Clip4 (kit of 30)	BWC4-SCREW

GasAlertQuattro Multi-Gas Detector	Order Number
CO, alkaline version - black housing, AU version (Australia)	QT-000M-A-B-AU
CO, alkaline version - black housing, CN version (China/New Zealand)	QT-000M-A-B-CN
CO, alkaline version - black housing, EU version (Europe)	QT-000M-A-B-EU
CO, alkaline version - black housing, NA version (North America)	QT-000M-A-B-NA
CO, alkaline version - black housing, OE version (Other Regions, 2-pin UK plug)	QT-000M-A-B-OE
CO, alkaline version - black housing, OR version (Other Regions, 3-pin UK plug)	QT-000M-A-B-OR
CO, alkaline version - black housing, UK version (United Kingdom)	QT-000M-A-B-UK
CO, alkaline version - yellow housing, AU version (Australia)	QT-000M-A-Y-AU
CO, alkaline version - yellow housing, CN version (China/New Zealand)	QT-000M-A-Y-CN
CO, alkaline version - yellow housing, EU version (Europe)	QT-000M-A-Y-EU
CO, alkaline version - yellow housing, NA version (North America)	QT-000M-A-Y-NA
CO, alkaline version - yellow housing, OE version (Other Regions, 2-pin UK plug)	QT-000M-A-Y-OE
CO, alkaline version - yellow housing, OR version (Other Regions, 3-pin UK plug)	QT-000M-A-Y-OR
CO, alkaline version - yellow housing, UK version (United Kingdom)	QT-000M-A-Y-UK
CO, rechargeable version - black housing, AU version (Australia)	QT-000M-R-B-AU
CO, rechargeable version - black housing, CN version (China/New Zealand)	QT-000M-R-B-CN
CO, rechargeable version - black housing, EU version (Europe)	QT-000M-R-B-EU
CO, rechargeable version - black housing, NA version (North America)	QT-000M-R-B-NA
CO, rechargeable version - black housing, OE version (Other Regions, 2-pin UK plug)	QT-000M-R-B-OE
CO, rechargeable version - black housing, OR version (Other Regions, 3-pin UK plug)	QT-000M-R-B-OR
CO, rechargeable version - black housing, UK version (United Kingdom)	QT-000M-R-B-UK
CO, rechargeable version - yellow housing, AU version (Australia)	QT-000M-R-Y-AU

Full Product Index (continued)

GasAlertQuattro Multi-Gas Detector	Order Number
CO, rechargeable version - yellow housing, CN version (China/New Zealand)	QT-000M-R-Y-CN
CO, rechargeable version - yellow housing, EU version (Europe)	QT-000M-R-Y-EU
CO, rechargeable version - yellow housing, NA version (North America)	QT-000M-R-Y-NA
CO, rechargeable version - yellow housing, OE version (Other Regions, 2-pin UK plug)	QT-000M-R-Y-OE
CO, rechargeable version - yellow housing, OR version (Other Regions, 3-pin UK plug)	QT-000M-R-Y-OR
CO, rechargeable version - yellow housing, UK version (United Kingdom)	QT-000M-R-Y-UK
H2S, alkaline version - black housing, AU version (Australia)	QT-00H0-A-B-AU
H2S, alkaline version - black housing, CN version (China/New Zealand)	QT-00H0-A-B-CN
H2S, alkaline version - black housing, EU version (Europe)	QT-00H0-A-B-EU
H2S, alkaline version - black housing, NA version (North America)	QT-00H0-A-B-NA
H2S, alkaline version - black housing, OE version (Other Regions, 2-pin UK plug)	QT-00H0-A-B-OE
H2S, alkaline version - black housing, OR version (Other Regions, 3-pin UK plug)	QT-00H0-A-B-OR
H2S, alkaline version - black housing, UK version (United Kingdom)	QT-00H0-A-B-UK
H2S, alkaline version - yellow housing, AU version (Australia)	QT-00H0-A-Y-AU
H2S, alkaline version - yellow housing, CN version (China/New Zealand)	QT-00H0-A-Y-CN
H2S, alkaline version - yellow housing, EU version (Europe)	QT-00H0-A-Y-EU
H2S, alkaline version - yellow housing, NA version (North America)	QT-00H0-A-Y-NA
H2S, alkaline version - yellow housing, OE version (Other Regions, 2-pin UK plug)	QT-00H0-A-Y-OE
H2S, alkaline version - yellow housing, OR version (Other Regions, 3-pin UK plug)	QT-00H0-A-Y-OR
H2S, alkaline version - yellow housing, UK version (United Kingdom)	QT-00H0-A-Y-UK
H2S, rechargeable version - black housing, AU version (Australia)	QT-00H0-R-B-AU
H2S, rechargeable version - black housing, CN version (China/New Zealand)	QT-00H0-R-B-CN
H2S, rechargeable version - black housing, EU version (Europe)	QT-00H0-R-B-EU
H2S, rechargeable version - black housing, NA version (North America)	QT-00H0-R-B-NA
H2S, rechargeable version - black housing, OE version (Other Regions, 2-pin UK plug)	QT-00H0-R-B-OE
H2S, rechargeable version - black housing, OR version (Other Regions, 3-pin UK plug)	QT-00H0-R-B-OR
H2S, rechargeable version - black housing, UK version (United Kingdom)	QT-00H0-R-B-UK
H2S, rechargeable version - yellow housing, AU version (Australia)	QT-00H0-R-Y-AU
H2S, rechargeable version - yellow housing, CN version (China/New Zealand)	QT-00H0-R-Y-CN
H2S, rechargeable version - yellow housing, EU version (Europe)	QT-00H0-R-Y-EU
H2S, rechargeable version - yellow housing, NA version (North America)	QT-00H0-R-Y-NA
H2S, rechargeable version - yellow housing, OE version (Other Regions, 2-pin UK plug)	QT-00H0-R-Y-OE
H2S, rechargeable version - yellow housing, OR version (Other Regions, 3-pin UK plug)	QT-00H0-R-Y-OR
H2S, rechargeable version - yellow housing, UK version (United Kingdom)	QT-00H0-R-Y-UK
H2S, CO, alkaline version - black housing, AU version (Australia)	QT-00HM-A-B-AU
H2S, CO, alkaline version - black housing, CN version (China/New Zealand)	QT-00HM-A-B-CN
H2S, CO, alkaline version - black housing, EU version (Europe)	QT-00HM-A-B-EU
H2S, CO, alkaline version - black housing, NA version (North America)	QT-00HM-A-B-NA
H2S, CO, alkaline version - black housing, OE version (Other Regions, 2-pin UK plug)	QT-00HM-A-B-OE
H2S, CO, alkaline version - black housing, OR version (Other Regions, 3-pin UK plug)	QT-00HM-A-B-OR
H2S, CO, alkaline version - black housing, UK version (United Kingdom)	QT-00HM-A-B-UK
H2S, CO, alkaline version - yellow housing, AU version (Australia)	QT-00HM-A-Y-AU
H2S, CO, alkaline version - yellow housing, CN version (China/New Zealand)	QT-00HM-A-Y-CN
H2S, CO, alkaline version - yellow housing, EU version (Europe)	QT-00HM-A-Y-EU
H2S, CO, alkaline version - yellow housing, NA version (North America)	QT-00HM-A-Y-NA
H2S, CO, alkaline version - yellow housing, OE version (Other Regions, 2-pin UK plug)	QT-00HM-A-Y-OE
H2S, CO, alkaline version - yellow housing, OR version (Other Regions, 3-pin UK plug)	QT-00HM-A-Y-OR
H2S, CO, alkaline version - yellow housing, UK version (United Kingdom)	QT-00HM-A-Y-UK
H2S, CO, rechargeable version - black housing, AU version (Australia)	QT-00HM-R-B-AU
H2S, CO, rechargeable version - black housing, CN version (China/New Zealand)	QT-00HM-R-B-CN
H2S, CO, rechargeable version - black housing, EU version (Europe)	QT-00HM-R-B-EU
H2S, CO, rechargeable version - black housing, NA version (North America)	QT-00HM-R-B-NA
H2S, CO, rechargeable version - black housing, OE version (Other Regions, 2-pin UK plug)	QT-00HM-R-B-OE
H2S, CO, rechargeable version - black housing, OR version (Other Regions, 3-pin UK plug)	QT-00HM-R-B-OR
H2S, CO, rechargeable version - black housing, UK version (United Kingdom)	QT-00HM-R-B-UK
H2S, CO, rechargeable version - yellow housing, AU version (Australia)	QT-00HM-R-Y-AU
H2S, CO, rechargeable version - yellow housing, CN version (China/New Zealand)	QT-00HM-R-Y-CN
H2S, CO, rechargeable version - yellow housing, EU version (Europe)	QT-00HM-R-Y-EU
H2S, CO, rechargeable version - yellow housing, NA version (North America)	QT-00HM-R-Y-NA
H2S, CO, rechargeable version - yellow housing, OE version (Other Regions, 2-pin UK plug)	QT-00HM-R-Y-OE
H2S, CO, rechargeable version - yellow housing, OR version (Other Regions, 3-pin UK plug)	QT-00HM-R-Y-OR
H2S, CO, rechargeable version - yellow housing, UK version (United Kingdom)	QT-00HM-R-Y-UK

GasAlertQuattro Multi-Gas Detector	Order Number
02, alkaline version - black housing, AU version (Australia)	QT-X000-A-B-AU
02, alkaline version - black housing, CN version (China/New Zealand)	QT-X000-A-B-CN
02, alkaline version - black housing, EU version (Europe)	QT-X000-A-B-EU
02, alkaline version - black housing, NA version (North America)	QT-X000-A-B-NA
02, alkaline version - black housing, OE version (Other Regions, 2-pin UK plug)	QT-X000-A-B-OE
02, alkaline version - black housing, OR version (Other Regions, 3-pin UK plug)	QT-X000-A-B-OR
02, alkaline version - black housing, UK version (United Kingdom)	QT-X000-A-B-UK
02, alkaline version - yellow housing, AU version (Australia)	QT-X000-A-Y-AU
02, alkaline version - yellow housing, CN version (China/New Zealand)	QT-X000-A-Y-CN
02, alkaline version - yellow housing, EU version (Europe)	QT-X000-A-Y-EU
02, alkaline version - yellow housing, NA version (North America)	QT-X000-A-Y-NA
02, alkaline version - yellow housing, OE version (Other Regions, 2-pin UK plug)	QT-X000-A-Y-OE
02, alkaline version - yellow housing, OR version (Other Regions, 3-pin UK plug)	QT-X000-A-Y-OR
02, alkaline version - yellow housing, UK version (United Kingdom)	QT-X000-A-Y-UK
02, rechargeable version - black housing, AU version (Australia)	QT-X000-R-B-AU
02, rechargeable version - black housing, CN version (China/New Zealand)	QT-X000-R-B-CN
02, rechargeable version - black housing, EU version (Europe)	QT-X000-R-B-EU
02, rechargeable version - black housing, NA version (North America)	QT-X000-R-B-NA
02, rechargeable version - black housing, OE version (Other Regions, 2-pin UK plug)	QT-X000-R-B-OE
02, rechargeable version - black housing, OR version (Other Regions, 3-pin UK plug)	QT-X000-R-B-OR
02, rechargeable version - black housing, UK version (United Kingdom)	QT-X000-R-B-UK
02, rechargeable version - yellow housing, AU version (Australia)	QT-X000-R-Y-AU
02, rechargeable version - yellow housing, CN version (China/New Zealand)	QT-X000-R-Y-CN
02, rechargeable version - yellow housing, EU version (Europe)	QT-X000-R-Y-EU
02, rechargeable version - yellow housing, NA version (North America)	QT-X000-R-Y-NA
02, rechargeable version - yellow housing, OE version (Other Regions, 2-pin UK plug)	QT-X000-R-Y-OE
02, rechargeable version - yellow housing, OR version (Other Regions, 3-pin UK plug)	QT-X000-R-Y-OR
02, rechargeable version - yellow housing, UK version (United Kingdom)	QT-X000-R-Y-UK
02, CO, alkaline version - black housing, AU version (Australia)	QT-X00M-A-B-AU
02, CO, alkaline version - black housing, CN version (China/New Zealand)	QT-X00M-A-B-CN
02, CO, alkaline version - black housing, EU version (Europe)	QT-X00M-A-B-EU
02, CO, alkaline version - black housing, NA version (North America)	QT-X00M-A-B-NA
02, CO, alkaline version - black housing, OE version (Other Regions, 2-pin UK plug)	QT-X00M-A-B-OE
02, CO, alkaline version - black housing, OR version (Other Regions, 3-pin UK plug)	QT-X00M-A-B-OR
02, CO, alkaline version - black housing, UK version (United Kingdom)	QT-X00M-A-B-UK
02, CO, alkaline version - yellow housing, AU version (Australia)	QT-X00M-A-Y-AU
02, CO, alkaline version - yellow housing, CN version (China/New Zealand)	QT-X00M-A-Y-CN
02, CO, alkaline version - yellow housing, EU version (Europe)	QT-X00M-A-Y-EU
02, CO, alkaline version - yellow housing, NA version (North America)	QT-X00M-A-Y-NA
02, CO, alkaline version - yellow housing, OE version (Other Regions, 2-pin UK plug)	QT-X00M-A-Y-OE
02, CO, alkaline version - yellow housing, OR version (Other Regions, 3-pin UK plug)	QT-X00M-A-Y-OR
02, CO, alkaline version - yellow housing, UK version (United Kingdom)	QT-X00M-A-Y-UK
02, CO, rechargeable version - black housing, AU version (Australia)	QT-X00M-R-B-AU
02, CO, rechargeable version - black housing, CN version (China/New Zealand)	QT-X00M-R-B-CN
02, CO, rechargeable version - black housing, EU version (Europe)	QT-X00M-R-B-EU
02, CO, rechargeable version - black housing, NA version (North America)	QT-X00M-R-B-NA
02, CO, rechargeable version - black housing, OE version (Other Regions, 2-pin UK plug)	QT-X00M-R-B-OE
02, CO, rechargeable version - black housing, OR version (Other Regions, 3-pin UK plug)	QT-X00M-R-B-OR
02, CO, rechargeable version - black housing, UK version (United Kingdom)	QT-X00M-R-B-UK
02, CO, rechargeable version - yellow housing, AU version (Australia)	QT-X00M-R-Y-AU
02, CO, rechargeable version - yellow housing, CN version (China/New Zealand)	QT-X00M-R-Y-CN
02, CO, rechargeable version - yellow housing, EU version (Europe)	QT-X00M-R-Y-EU
02, CO, rechargeable version - yellow housing, NA version (North America)	QT-X00M-R-Y-NA
02, CO, rechargeable version - yellow housing, OE version (Other Regions, 2-pin UK plug)	QT-X00M-R-Y-OE
02, CO, rechargeable version - yellow housing, OR version (Other Regions, 3-pin UK plug)	QT-X00M-R-Y-OR
02, CO, rechargeable version - yellow housing, UK version (United Kingdom)	QT-X00M-R-Y-UK
02, H2S, alkaline version - black housing, AU version (Australia)	QT-X0H0-A-B-AU
02, H2S, alkaline version - black housing, CN version (China/New Zealand)	QT-X0H0-A-B-CN
02, H2S, alkaline version - black housing, EU version (Europe)	QT-X0H0-A-B-EU
02, H2S, alkaline version - black housing, NA version (North America)	QT-X0H0-A-B-NA
02, H2S, alkaline version - black housing, OE version (Other Regions, 2-pin UK plug)	QT-X0H0-A-B-OE
02, H2S, alkaline version - black housing, OR version (Other Regions, 3-pin UK plug)	QT-X0H0-A-B-OR

Full Product Index (continued)

GasAlertQuattro Multi-Gas Detector	Order Number
O2, H2S, alkaline version - black housing, UK version (United Kingdom)	QT-XOHO-A-B-UK
O2, H2S, alkaline version - yellow housing, AU version (Australia)	QT-XOHO-A-Y-AU
O2, H2S, alkaline version - yellow housing, CN version (China/New Zealand)	QT-XOHO-A-Y-CN
O2, H2S, alkaline version - yellow housing, EU version (Europe)	QT-XOHO-A-Y-EU
O2, H2S, alkaline version - yellow housing, NA version (North America)	QT-XOHO-A-Y-NA
O2, H2S, alkaline version - yellow housing, OE version (Other Regions, 2-pin UK plug)	QT-XOHO-A-Y-OE
O2, H2S, alkaline version - yellow housing, OR version (Other Regions, 3-pin UK plug)	QT-XOHO-A-Y-OR
O2, H2S, alkaline version - yellow housing, UK version (United Kingdom)	QT-XOHO-A-Y-UK
O2, H2S, rechargeable version - black housing, AU version (Australia)	QT-XOHO-R-B-AU
O2, H2S, rechargeable version - black housing, CN version (China/New Zealand)	QT-XOHO-R-B-CN
O2, H2S, rechargeable version - black housing, EU version (Europe)	QT-XOHO-R-B-EU
O2, H2S, rechargeable version - black housing, NA version (North America)	QT-XOHO-R-B-NA
O2, H2S, rechargeable version - black housing, OE version (Other Regions, 2-pin UK plug)	QT-XOHO-R-B-OE
O2, H2S, rechargeable version - black housing, OR version (Other Regions, 3-pin UK plug)	QT-XOHO-R-B-OR
O2, H2S, rechargeable version - black housing, UK version (United Kingdom)	QT-XOHO-R-B-UK
O2, H2S, rechargeable version - yellow housing, AU version (Australia)	QT-XOHO-R-Y-AU
O2, H2S, rechargeable version - yellow housing, CN version (China/New Zealand)	QT-XOHO-R-Y-CN
O2, H2S, rechargeable version - yellow housing, EU version (Europe)	QT-XOHO-R-Y-EU
O2, H2S, rechargeable version - yellow housing, NA version (North America)	QT-XOHO-R-Y-NA
O2, H2S, rechargeable version - yellow housing, OE version (Other Regions, 2-pin UK plug)	QT-XOHO-R-Y-OE
O2, H2S, rechargeable version - yellow housing, OR version (Other Regions, 3-pin UK plug)	QT-XOHO-R-Y-OR
O2, H2S, rechargeable version - yellow housing, UK version (United Kingdom)	QT-XOHO-R-Y-UK
O2, H2S, CO, alkaline version - black housing, AU version (Australia)	QT-XOHM-A-B-AU
O2, H2S, CO, alkaline version - black housing, CN version (China/New Zealand)	QT-XOHM-A-B-CN
O2, H2S, CO, alkaline version - black housing, EU version (Europe)	QT-XOHM-A-B-EU
O2, H2S, CO, alkaline version - black housing, NA version (North America)	QT-XOHM-A-B-NA
O2, H2S, CO, alkaline version - black housing, OE version (Other Regions, 2-pin UK plug)	QT-XOHM-A-B-OE
O2, H2S, CO, alkaline version - black housing, OR version (Other Regions, 3-pin UK plug)	QT-XOHM-A-B-OR
O2, H2S, CO, alkaline version - black housing, UK version (United Kingdom)	QT-XOHM-A-B-UK
O2, H2S, CO, alkaline version - yellow housing, AU version (Australia)	QT-XOHM-A-Y-AU
O2, H2S, CO, alkaline version - yellow housing, CN version (China/New Zealand)	QT-XOHM-A-Y-CN
O2, H2S, CO, alkaline version - yellow housing, EU version (Europe)	QT-XOHM-A-Y-EU
O2, H2S, CO, alkaline version - yellow housing, NA version (North America)	QT-XOHM-A-Y-NA
O2, H2S, CO, alkaline version - yellow housing, OE version (Other Regions, 2-pin UK plug)	QT-XOHM-A-Y-OE
O2, H2S, CO, alkaline version - yellow housing, OR version (Other Regions, 3-pin UK plug)	QT-XOHM-A-Y-OR
O2, H2S, CO, alkaline version - yellow housing, UK version (United Kingdom)	QT-XOHM-A-Y-UK
O2, H2S, CO, rechargeable version - black housing, AU version (Australia)	QT-XOHM-R-B-AU
O2, H2S, CO, rechargeable version - black housing, CN version (China/New Zealand)	QT-XOHM-R-B-CN
O2, H2S, CO, rechargeable version - black housing, EU version (Europe)	QT-XOHM-R-B-EU
O2, H2S, CO, rechargeable version - black housing, NA version (North America)	QT-XOHM-R-B-NA
O2, H2S, CO, rechargeable version - black housing, OE version (Other Regions, 2-pin UK plug)	QT-XOHM-R-B-OE
O2, H2S, CO, rechargeable version - black housing, OR version (Other Regions, 3-pin UK plug)	QT-XOHM-R-B-OR
O2, H2S, CO, rechargeable version - black housing, UK version (United Kingdom)	QT-XOHM-R-B-UK
O2, H2S, CO, rechargeable version - yellow housing, AU version (Australia)	QT-XOHM-R-Y-AU
O2, H2S, CO, rechargeable version - yellow housing, CN version (China/New Zealand)	QT-XOHM-R-Y-CN
O2, H2S, CO, rechargeable version - yellow housing, EU version (Europe)	QT-XOHM-R-Y-EU
O2, H2S, CO, rechargeable version - yellow housing, NA version (North America)	QT-XOHM-R-Y-NA
O2, H2S, CO, rechargeable version - yellow housing, OE version (Other Regions, 2-pin UK plug)	QT-XOHM-R-Y-OE
O2, H2S, CO, rechargeable version - yellow housing, OR version (Other Regions, 3-pin UK plug)	QT-XOHM-R-Y-OR
O2, H2S, CO, rechargeable version - yellow housing, UK version (United Kingdom)	QT-XOHM-R-Y-UK
% LEL, O2, alkaline version - black housing, AU version (Australia)	QT-XW00-A-B-AU
% LEL, O2, alkaline version - black housing, CN version (China/New Zealand)	QT-XW00-A-B-CN
% LEL, O2, alkaline version - black housing, EU version (Europe)	QT-XW00-A-B-EU
% LEL, O2, alkaline version - black housing, NA version (North America)	QT-XW00-A-B-NA
% LEL, O2, alkaline version - black housing, OE version (Other Regions, 2-pin UK plug)	QT-XW00-A-B-OE
% LEL, O2, alkaline version - black housing, OR version (Other Regions, 3-pin UK plug)	QT-XW00-A-B-OR
% LEL, O2, alkaline version - black housing, UK version (United Kingdom)	QT-XW00-A-B-UK
% LEL, O2, alkaline version - yellow housing, AU version (Australia)	QT-XW00-A-Y-AU
% LEL, O2, alkaline version - yellow housing, CN version (China/New Zealand)	QT-XW00-A-Y-CN
% LEL, O2, alkaline version - yellow housing, EU version (Europe)	QT-XW00-A-Y-EU
% LEL, O2, alkaline version - yellow housing, NA version (North America)	QT-XW00-A-Y-NA
% LEL, O2, alkaline version - yellow housing, OE version (Other Regions, 2-pin UK plug)	QT-XW00-A-Y-OE

GasAlertQuattro Multi-Gas Detector	Order Number
% LEL, O2, alkaline version - yellow housing, OR version (Other Regions, 3-pin UK plug)	QT-XW00-A-Y-OR
% LEL, O2, alkaline version - yellow housing, UK version (United Kingdom)	QT-XW00-A-Y-UK
% LEL, O2, rechargeable version - black housing, AU version (Australia)	QT-XW00-R-B-AU
% LEL, O2, rechargeable version - black housing, CN version (China/New Zealand)	QT-XW00-R-B-CN
% LEL, O2, rechargeable version - black housing, EU version (Europe)	QT-XW00-R-B-EU
% LEL, O2, rechargeable version - black housing, NA version (North America)	QT-XW00-R-B-NA
% LEL, O2, rechargeable version - black housing, OE version (Other Regions, 2-pin UK plug)	QT-XW00-R-B-OE
% LEL, O2, rechargeable version - black housing, OR version (Other Regions, 3-pin UK plug)	QT-XW00-R-B-OR
% LEL, O2, rechargeable version - black housing, UK version (United Kingdom)	QT-XW00-R-B-UK
% LEL, O2, rechargeable version - yellow housing, AU version (Australia)	QT-XW00-R-Y-AU
% LEL, O2, rechargeable version - yellow housing, CN version (China/New Zealand)	QT-XW00-R-Y-CN
% LEL, O2, rechargeable version - yellow housing, EU version (Europe)	QT-XW00-R-Y-EU
% LEL, O2, rechargeable version - yellow housing, NA version (North America)	QT-XW00-R-Y-NA
% LEL, O2, rechargeable version - yellow housing, OE version (Other Regions, 2-pin UK plug)	QT-XW00-R-Y-OE
% LEL, O2, rechargeable version - yellow housing, OR version (Other Regions, 3-pin UK plug)	QT-XW00-R-Y-OR
% LEL, O2, rechargeable version - yellow housing, UK version (United Kingdom)	QT-XW00-R-Y-UK
% LEL, O2, CO, alkaline version - black housing, AU version (Australia)	QT-XW0M-A-B-AU
% LEL, O2, CO, alkaline version - black housing, CN version (China/New Zealand)	QT-XW0M-A-B-CN
% LEL, O2, CO, alkaline version - black housing, EU version (Europe)	QT-XW0M-A-B-EU
% LEL, O2, CO, alkaline version - black housing, NA version (North America)	QT-XW0M-A-B-NA
% LEL, O2, CO, alkaline version - black housing, OE version (Other Regions, 2-pin UK plug)	QT-XW0M-A-B-OE
% LEL, O2, CO, alkaline version - black housing, OR version (Other Regions, 3-pin UK plug)	QT-XW0M-A-B-OR
% LEL, O2, CO, alkaline version - black housing, UK version (United Kingdom)	QT-XW0M-A-B-UK
% LEL, O2, CO, alkaline version - yellow housing, AU version (Australia)	QT-XW0M-A-Y-AU
% LEL, O2, CO, alkaline version - yellow housing, CN version (China/New Zealand)	QT-XW0M-A-Y-CN
% LEL, O2, CO, alkaline version - yellow housing, EU version (Europe)	QT-XW0M-A-Y-EU
% LEL, O2, CO, alkaline version - yellow housing, NA version (North America)	QT-XW0M-A-Y-NA
% LEL, O2, CO, alkaline version - yellow housing, OE version (Other Regions, 2-pin UK plug)	QT-XW0M-A-Y-OE
% LEL, O2, CO, alkaline version - yellow housing, OR version (Other Regions, 3-pin UK plug)	QT-XW0M-A-Y-OR
% LEL, O2, CO, alkaline version - yellow housing, UK version (United Kingdom)	QT-XW0M-A-Y-UK
% LEL, O2, CO, rechargeable version - black housing, AU version (Australia)	QT-XW0M-R-B-AU
% LEL, O2, CO, rechargeable version - black housing, CN version (China/New Zealand)	QT-XW0M-R-B-CN
% LEL, O2, CO, rechargeable version - black housing, EU version (Europe)	QT-XW0M-R-B-EU
% LEL, O2, CO, rechargeable version - black housing, NA version (North America)	QT-XW0M-R-B-NA
% LEL, O2, CO, rechargeable version - black housing, OE version (Other Regions, 2-pin UK plug)	QT-XW0M-R-B-OE
% LEL, O2, CO, rechargeable version - black housing, OR version (Other Regions, 3-pin UK plug)	QT-XW0M-R-B-OR
% LEL, O2, CO, rechargeable version - black housing, UK version (United Kingdom)	QT-XW0M-R-B-UK
% LEL, O2, CO, rechargeable version - yellow housing, AU version (Australia)	QT-XW0M-R-Y-AU
% LEL, O2, CO, rechargeable version - yellow housing, CN version (China/New Zealand)	QT-XW0M-R-Y-CN
% LEL, O2, CO, rechargeable version - yellow housing, EU version (Europe)	QT-XW0M-R-Y-EU
% LEL, O2, CO, rechargeable version - yellow housing, NA version (North America)	QT-XW0M-R-Y-NA
% LEL, O2, CO, rechargeable version - yellow housing, OE version (Other Regions, 2-pin UK plug)	QT-XW0M-R-Y-OE
% LEL, O2, CO, rechargeable version - yellow housing, OR version (Other Regions, 3-pin UK plug)	QT-XW0M-R-Y-OR
% LEL, O2, CO, rechargeable version - yellow housing, UK version (United Kingdom)	QT-XW0M-R-Y-UK
% LEL, O2, H2S, alkaline version - black housing, AU version (Australia)	QT-XWHO-A-B-AU
% LEL, O2, H2S, alkaline version - black housing, CN version (China/New Zealand)	QT-XWHO-A-B-CN
% LEL, O2, H2S, alkaline version - black housing, EU version (Europe)	QT-XWHO-A-B-EU
% LEL, O2, H2S, alkaline version - black housing, NA version (North America)	QT-XWHO-A-B-NA
% LEL, O2, H2S, alkaline version - black housing, OE version (Other Regions, 2-pin UK plug)	QT-XWHO-A-B-OE
% LEL, O2, H2S, alkaline version - black housing, OR version (Other Regions, 3-pin UK plug)	QT-XWHO-A-B-OR
% LEL, O2, H2S, alkaline version - black housing, UK version (United Kingdom)	QT-XWHO-A-B-UK
% LEL, O2, H2S, alkaline version - yellow housing, AU version (Australia)	QT-XWHO-A-Y-AU
% LEL, O2, H2S, alkaline version - yellow housing, CN version (China/New Zealand)	QT-XWHO-A-Y-CN
% LEL, O2, H2S, alkaline version - yellow housing, EU version (Europe)	QT-XWHO-A-Y-EU
% LEL, O2, H2S, alkaline version - yellow housing, NA version (North America)	QT-XWHO-A-Y-NA
% LEL, O2, H2S, alkaline version - yellow housing, OE version (Other Regions, 2-pin UK plug)	QT-XWHO-A-Y-OE
% LEL, O2, H2S, alkaline version - yellow housing, OR version (Other Regions, 3-pin UK plug)	QT-XWHO-A-Y-OR
% LEL, O2, H2S, alkaline version - yellow housing, UK version (United Kingdom)	QT-XWHO-A-Y-UK
% LEL, O2, H2S, rechargeable version - black housing, AU version (Australia)	QT-XWHO-R-B-AU
% LEL, O2, H2S, rechargeable version - black housing, CN version (China/New Zealand)	QT-XWHO-R-B-CN
% LEL, O2, H2S, rechargeable version - black housing, EU version (Europe)	QT-XWHO-R-B-EU
% LEL, O2, H2S, rechargeable version - black housing, NA version (North America)	QT-XWHO-R-B-NA

Full Product Index (continued)

GasAlertQuattro Multi-Gas Detector	Order Number
% LEL, O2, H2S, rechargeable version - black housing, OE version (Other Regions, 2-pin UK plug)	QT-XWHO-R-B-OE
% LEL, O2, H2S, rechargeable version - black housing, OR version (Other Regions, 3-pin UK plug)	QT-XWHO-R-B-OR
% LEL, O2, H2S, rechargeable version - black housing, UK version (United Kingdom)	QT-XWHO-R-B-UK
% LEL, O2, H2S, rechargeable version - yellow housing, AU version (Australia)	QT-XWHO-R-Y-AU
% LEL, O2, H2S, rechargeable version - yellow housing, CN version (China/New Zealand)	QT-XWHO-R-Y-CN
% LEL, O2, H2S, rechargeable version - yellow housing, EU version (Europe)	QT-XWHO-R-Y-EU
% LEL, O2, H2S, rechargeable version - yellow housing, NA version (North America)	QT-XWHO-R-Y-NA
% LEL, O2, H2S, rechargeable version - yellow housing, OE version (Other Regions, 2-pin UK plug)	QT-XWHO-R-Y-OE
% LEL, O2, H2S, rechargeable version - yellow housing, OR version (Other Regions, 3-pin UK plug)	QT-XWHO-R-Y-OR
% LEL, O2, H2S, rechargeable version - yellow housing, UK version (United Kingdom)	QT-XWHO-R-Y-UK
% LEL, O2, H2S, CO, alkaline version - black housing, AU version (Australia)	QT-XWHM-A-B-AU
% LEL, O2, H2S, CO, alkaline version - black housing, CN version (China/New Zealand)	QT-XWHM-A-B-CN
% LEL, O2, H2S, CO, alkaline version - black housing, EU version (Europe)	QT-XWHM-A-B-EU
% LEL, O2, H2S, CO, alkaline version - black housing, NA version (North America)	QT-XWHM-A-B-NA
% LEL, O2, H2S, CO, alkaline version - black housing, OE version (Other Regions, 2-pin UK plug)	QT-XWHM-A-B-OE
% LEL, O2, H2S, CO, alkaline version - black housing, OR version (Other Regions, 3-pin UK plug)	QT-XWHM-A-B-OR
% LEL, O2, H2S, CO, alkaline version - black housing, UK version (United Kingdom)	QT-XWHM-A-B-UK
% LEL, O2, H2S, CO, alkaline version - yellow housing, AU version (Australia)	QT-XWHM-A-Y-AU
% LEL, O2, H2S, CO, alkaline version - yellow housing, CN version (China/New Zealand)	QT-XWHM-A-Y-CN
% LEL, O2, H2S, CO, alkaline version - yellow housing, EU version (Europe)	QT-XWHM-A-Y-EU
% LEL, O2, H2S, CO, alkaline version - yellow housing, NA version (North America)	QT-XWHM-A-Y-NA
% LEL, O2, H2S, CO, alkaline version - yellow housing, OE version (Other Regions, 2-pin UK plug)	QT-XWHM-A-Y-OE
% LEL, O2, H2S, CO, alkaline version - yellow housing, OR version (Other Regions, 3-pin UK plug)	QT-XWHM-A-Y-OR
% LEL, O2, H2S, CO, alkaline version - yellow housing, UK version (United Kingdom)	QT-XWHM-A-Y-UK
% LEL, O2, H2S, CO, rechargeable version - black housing, AU version (Australia)	QT-XWHM-R-B-AU
% LEL, O2, H2S, CO, rechargeable version - black housing, CN version (China/New Zealand)	QT-XWHM-R-B-CN
% LEL, O2, H2S, CO, rechargeable version - black housing, EU version (Europe)	QT-XWHM-R-B-EU
% LEL, O2, H2S, CO, rechargeable version - black housing, NA version (North America)	QT-XWHM-R-B-NA
% LEL, O2, H2S, CO, rechargeable version - black housing, OE version (Other Regions, 2-pin UK plug)	QT-XWHM-R-B-OE
% LEL, O2, H2S, CO, rechargeable version - black housing, OR version (Other Regions, 3-pin UK plug)	QT-XWHM-R-B-OR
% LEL, O2, H2S, CO, rechargeable version - black housing, UK version (United Kingdom)	QT-XWHM-R-B-UK
% LEL, O2, H2S, CO, rechargeable version - yellow housing, AU version (Australia)	QT-XWHM-R-Y-AU
% LEL, O2, H2S, CO, rechargeable version - yellow housing, CN version (China/New Zealand)	QT-XWHM-R-Y-CN
% LEL, O2, H2S, CO, rechargeable version - yellow housing, EU version (Europe)	QT-XWHM-R-Y-EU
% LEL, O2, H2S, CO, rechargeable version - yellow housing, NA version (North America)	QT-XWHM-R-Y-NA
% LEL, O2, H2S, CO, rechargeable version - yellow housing, OE version (Other Regions, 2-pin UK plug)	QT-XWHM-R-Y-OE
% LEL, O2, H2S, CO, rechargeable version - yellow housing, OR version (Other Regions, 3-pin UK plug)	QT-XWHM-R-Y-OR
% LEL, O2, H2S, CO, rechargeable version - yellow housing, UK version (United Kingdom)	QT-XWHM-R-Y-UK
GasAlertQuattro Accessories	Order Number
GasAlertQuattro Premium Confined Space Kit - includes GasAlertQuattro detector (% LEL, O2, H2S, CO) and standard package contents, plus rechargeable battery pack and wall charging adaptor, alkaline battery pack and AA batteries, manual aspirator kit, IR Connectivity Kit with Fleet Manager II software, sampling probe, calibration cap with 1 ft. / 0.3 m hose, 34 L calibration gas (2.5% CH4, 1.8% O2, 25 ppm H2S, 100 ppm CO), 0.5 LPM regulator and carrying case with foam insert.	QT-XWHM-R-Y-NA-CS
GasAlertQuattro Deluxe Confined Space Kit - includes manual aspirator kit, IR Connectivity Kit with Fleet Manager II software, sampling probe, carrying holster, auxiliary filter kit, calibration cap with 1 ft. / 0.3 m hose, 0.5 LPM regulator and carrying case with foam insert. Detector and calibration gas sold separately.	QT-CK-DL
Carrying Case for GasAlertQuattro with foam insert. Note: Detector, sampling equipment and calibration gas sold separately.	QT-CK-CC
Concussion-proof boot	GA-BQT
Carrying holster for GasAlertQuattro	GA-HQT
Auxiliary filter (LCD protector) - includes five filters	QT-AF-K1
Replacement auxiliary filter for use with QT-AF-K1 (kit of 10)	QT-SS-AF-K1
Manual aspirator pump	QT-AS01
Alkaline battery pack with batteries - yellow	QT-BAT-A01
Alkaline battery pack with batteries - black	QT-BAT-A01B
Rechargeable battery pack - yellow	QT-BAT-R01
Rechargeable battery pack - black	QT-BAT-R01B
Multi-unit (5) cradle charger for GasAlertQuattro	QT-C01-MC5
Vehicle attachment (compatible with single T-pattern or 4-hole AMPS mounting system)	QT-VMB-1
GasAlertQuattro Replacements, Spares & Service Parts	Order Number
Replacement quad sensor screen for GasAlertQuattro (kit of 2)	QT-SS
Replacement quad sensor screen for GasAlertQuattro (kit of 10)	QT-SS-K1

Full Product Index (continued)

GasAlertQuattro Replacements, Spares & Service Parts	Order Number
Replacement test cap and hose	QT-TC-1
Replacement back enclosure (yellow) with screws for GasAlertQuattro	QT-BC1
Replacement back enclosure (black) with screws for GasAlertQuattro	QT-BC1B
Replacement front enclosure (yellow) for GasAlertQuattro	QT-FC1
Replacement front enclosure (black) for GasAlertQuattro	QT-FC1B
Replacement LCD kit for GasAlertQuattro	QT-LCD-K1
Replacement main PCB and sensor PCB kit for GasAlertQuattro	QT-PCB-K1
Replacement screw kit for GasAlertQuattro (kit of 40 screws, services 5 units)	QT-SCREW-K1
MultiPro Multi-Gas Detector	Order Number
Combustibles (LEL), oxygen (O2), alkaline battery pack, datalogging, vibrating alarm	54-48-300ADY
Combustibles (LEL), oxygen (O2), rechargeable battery pack, datalogging, vibrating alarm	54-48-300NDY
Combustibles (LEL), oxygen (O2), carbon monoxide (CO), alkaline battery pack, datalogging, vibrating alarm	54-48-301ADY
Combustibles (LEL), oxygen (O2), carbon monoxide (CO), rechargeable battery pack, datalogging, vibrating alarm	54-48-301NDY
Combustibles (LEL), oxygen (O2), hydrogen sulfide (H2S), alkaline battery pack, datalogging, vibrating alarm	54-48-302ADY
Combustibles (LEL), oxygen (O2), hydrogen sulfide (H2S), rechargeable battery pack, datalogging, vibrating alarm	54-48-302NDY
Combustibles (LEL), oxygen (O2), Duo-Tox (CO / H2S), alkaline battery pack, datalogging, vibrating alarm	54-48-314ADY
Combustibles (LEL), oxygen (O2), Duo-Tox (CO / H2S), rechargeable battery pack, datalogging, vibrating alarm	54-48-314NDY
MultiPro Accessories	Order Number
MultiPro Case for Value Pack - Foam-lined case with room for one 34 L cylinder of calibration gas and a regulator - Note: Detector, calibration gas and regulator sold separately.	16-119
Continuous sample pump, includes hose (10 ft. / 3 m, 3/16 in. I.D., 5/16 in. O.D.) and sample probe assembly	54-49-102
Slip-in charger (110 V _{AC})	54-49-103-1
Slip-in fast charger (12 V _{DC}), includes "cigarette lighter" style adaptor, and vehicle mounting hardware.	54-49-103-12
Sample draw / calibration adaptor	54-49-104
Manual sample draw kit, includes adaptor, squeeze bulb, hose (10 ft. / 3 m, 3/16 in. I.D., 5/16 in. O.D.) and sample probe assembly	54-49-105
Alkaline battery pack	54-49-106
Rechargeable battery pack	54-49-107
MultiPro Replacements, Spares & Service Parts	Order Number
Sensor screen filter for MultiPro (kit of 10)	56-502-10
Sensor screen gasket for MultiPro (kit of 10)	34-078-10
Replacement stainless steel alligator clip for MultiPro, black	05-1289
Replacement alkaline battery pack with clothes clip	35-0624
Replacement rechargeable battery pack with clothes clip	35-0625
Replacement front cover for MultiPro	35-0993
Replacement back cover with screws	10-500
Replacement LCD for MultiPro	47-030
Replacement LCD holder for MultiPro	10-498
Replacement LCD block hold for MultiPro	10-499
Replacement O-rings for MultiPro (kit of 10)	17-036-10
Replacement pump gasket for MultiPro pump	17-069
Isolator panel with Foam for MultiPro (kit of 5)	22-187-FOAM-5
Replacement PCB for MultiPro	35-0644-SS-GASKET
Replacement carbon monoxide (CO) sensor for MultiPro	54-49-25
Replacement carbon monoxide (CO-H, H2 resistant) sensor for MultiPro	54-49-19
Replacement combustible (LEL) sensor for MultiPro	54-49-80C
Replacement Duo-Tox (CO / H2S) sensor for MultiPro	54-49-14
Replacement hydrogen sulfide (H2S) sensor for MultiPro	54-49-02
Replacement oxygen (O2) sensor for MultiPro	54-49-90
Replacement power adaptor for MultiPro slip-in charger (110V)	54-49-103-5
Replacement screw kit for MultiPro UL version (kit of 5)	SCREW-MP-UL-5
Replacement dummy sensor for MultiPro (kit of 5)	10-450-5
Honeywell BW™ Max XT II Multi-Gas Detector	Order Number
CO - black housing, AU version (Australia)	XT-000M-B-AU
CO - black housing, BR version (Brazil)	XT-000M-B-BR
CO - black housing, CN version (China/New Zealand)	XT-000M-B-CN
CO - black housing, EU version (Europe)	XT-000M-B-EU
CO - black housing, NA version (North America)	XT-000M-B-NA
CO - black housing, OE version (Other Regions, 2-pin UK plug)	XT-000M-B-OE
CO - black housing, OR version (Other Regions, 3-pin UK plug)	XT-000M-B-OR

Full Product Index (continued)

Honeywell BW™ Max XT II Multi-Gas Detector	Order Number
CO - black housing, UK version (United Kingdom)	XT-000M-B-UK
CO - yellow housing, AU version (Australia)	XT-000M-Y-AU
CO - yellow housing, BR version (Brazil)	XT-000M-Y-BR
CO - yellow housing, CN version (China/New Zealand)	XT-000M-Y-CN
CO - yellow housing, EU version (Europe)	XT-000M-Y-EU
CO - yellow housing, NA version (North America)	XT-000M-Y-NA
CO - yellow housing, OE version (Other Regions, 2-pin UK plug)	XT-000M-Y-OE
CO - yellow housing, OR version (Other Regions, 3-pin UK plug)	XT-000M-Y-OR
CO - yellow housing, UK version (United Kingdom)	XT-000M-Y-UK
H2S - black housing, AU version (Australia)	XT-00H0-B-AU
H2S - black housing, BR version (Brazil)	XT-00H0-B-BR
H2S - black housing, CN version (China/New Zealand)	XT-00H0-B-CN
H2S - black housing, EU version (Europe)	XT-00H0-B-EU
H2S - black housing, NA version (North America)	XT-00H0-B-NA
H2S - black housing, OE version (Other Regions, 2-pin UK plug)	XT-00H0-B-OE
H2S - black housing, OR version (Other Regions, 3-pin UK plug)	XT-00H0-B-OR
H2S - black housing, UK version (United Kingdom)	XT-00H0-B-UK
H2S - yellow housing, AU version (Australia)	XT-00H0-Y-AU
H2S - yellow housing, BR version (Brazil)	XT-00H0-Y-BR
H2S - yellow housing, CN version (China/New Zealand)	XT-00H0-Y-CN
H2S - yellow housing, EU version (Europe)	XT-00H0-Y-EU
H2S - yellow housing, NA version (North America)	XT-00H0-Y-NA
H2S - yellow housing, OE version (Other Regions, 2-pin UK plug)	XT-00H0-Y-OE
H2S - yellow housing, OR version (Other Regions, 3-pin UK plug)	XT-00H0-Y-OR
H2S - yellow housing, UK version (United Kingdom)	XT-00H0-Y-UK
H2S, CO - black housing, AU version (Australia)	XT-00HM-B-AU
H2S, CO - black housing, BR version (Brazil)	XT-00HM-B-BR
H2S, CO - black housing, CN version (China/New Zealand)	XT-00HM-B-CN
H2S, CO - black housing, EU version (Europe)	XT-00HM-B-EU
H2S, CO - black housing, NA version (North America)	XT-00HM-B-NA
H2S, CO - black housing, OE version (Other Regions, 2-pin UK plug)	XT-00HM-B-OE
H2S, CO - black housing, OR version (Other Regions, 3-pin UK plug)	XT-00HM-B-OR
H2S, CO - black housing, UK version (United Kingdom)	XT-00HM-B-UK
H2S, CO - yellow housing, AU version (Australia)	XT-00HM-Y-AU
H2S, CO - yellow housing, BR version (Brazil)	XT-00HM-Y-BR
H2S, CO - yellow housing, CN version (China/New Zealand)	XT-00HM-Y-CN
H2S, CO - yellow housing, EU version (Europe)	XT-00HM-Y-EU
H2S, CO - yellow housing, NA version (North America)	XT-00HM-Y-NA
H2S, CO - yellow housing, OE version (Other Regions, 2-pin UK plug)	XT-00HM-Y-OE
H2S, CO - yellow housing, OR version (Other Regions, 3-pin UK plug)	XT-00HM-Y-OR
H2S, CO - yellow housing, UK version (United Kingdom)	XT-00HM-Y-UK
O2 - black housing, AU version (Australia)	XT-X000-B-AU
O2 - black housing, BR version (Brazil)	XT-X000-B-BR
O2 - black housing, CN version (China/New Zealand)	XT-X000-B-CN
O2 - black housing, EU version (Europe)	XT-X000-B-EU
O2 - black housing, NA version (North America)	XT-X000-B-NA
O2 - black housing, OE version (Other Regions, 2-pin UK plug)	XT-X000-B-OE
O2 - black housing, OR version (Other Regions, 3-pin UK plug)	XT-X000-B-OR
O2 - black housing, UK version (United Kingdom)	XT-X000-B-UK
O2 - yellow housing, AU version (Australia)	XT-X000-Y-AU
O2 - yellow housing, BR version (Brazil)	XT-X000-Y-BR
O2 - yellow housing, CN version (China/New Zealand)	XT-X000-Y-CN
O2 - yellow housing, EU version (Europe)	XT-X000-Y-EU
O2 - yellow housing, NA version (North America)	XT-X000-Y-NA
O2 - yellow housing, OE version (Other Regions, 2-pin UK plug)	XT-X000-Y-OE
O2 - yellow housing, OR version (Other Regions, 3-pin UK plug)	XT-X000-Y-OR
O2 - yellow housing, UK version (United Kingdom)	XT-X000-Y-UK
O2, CO - black housing, AU version (Australia)	XT-X00M-B-AU
O2, CO - black housing, BR version (Brazil)	XT-X00M-B-BR
O2, CO - black housing, CN version (China/New Zealand)	XT-X00M-B-CN
O2, CO - black housing, EU version (Europe)	XT-X00M-B-EU
O2, CO - black housing, NA version (North America)	XT-X00M-B-NA

Honeywell BW™ Max XT II Multi-Gas Detector	Order Number
O2, CO - black housing, OE version (Other Regions, 2-pin UK plug)	XT-X00M-B-OE
O2, CO - black housing, OR version (Other Regions, 3-pin UK plug)	XT-X00M-B-OR
O2, CO - black housing, UK version (United Kingdom)	XT-X00M-B-UK
O2, CO - yellow housing, AU version (Australia)	XT-X00M-Y-AU
O2, CO - yellow housing, BR version (Brazil)	XT-X00M-Y-BR
O2, CO - yellow housing, CN version (China/New Zealand)	XT-X00M-Y-CN
O2, CO - yellow housing, EU version (Europe)	XT-X00M-Y-EU
O2, CO - yellow housing, NA version (North America)	XT-X00M-Y-NA
O2, CO - yellow housing, OE version (Other Regions, 2-pin UK plug)	XT-X00M-Y-OE
O2, CO - yellow housing, OR version (Other Regions, 3-pin UK plug)	XT-X00M-Y-OR
O2, CO - yellow housing, UK version (United Kingdom)	XT-X00M-Y-UK
O2, H2S - black housing, AU version (Australia)	XT-X0H0-B-AU
O2, H2S - black housing, BR version (Brazil)	XT-X0H0-B-BR
O2, H2S - black housing, CN version (China/New Zealand)	XT-X0H0-B-CN
O2, H2S - black housing, EU version (Europe)	XT-X0H0-B-EU
O2, H2S - black housing, NA version (North America)	XT-X0H0-B-NA
O2, H2S - black housing, OE version (Other Regions, 2-pin UK plug)	XT-X0H0-B-OE
O2, H2S - black housing, OR version (Other Regions, 3-pin UK plug)	XT-X0H0-B-OR
O2, H2S - black housing, UK version (United Kingdom)	XT-X0H0-B-UK
O2, H2S - yellow housing, AU version (Australia)	XT-X0H0-Y-AU
O2, H2S - yellow housing, BR version (Brazil)	XT-X0H0-Y-BR
O2, H2S - yellow housing, CN version (China/New Zealand)	XT-X0H0-Y-CN
O2, H2S - yellow housing, EU version (Europe)	XT-X0H0-Y-EU
O2, H2S - yellow housing, NA version (North America)	XT-X0H0-Y-NA
O2, H2S - yellow housing, OE version (Other Regions, 2-pin UK plug)	XT-X0H0-Y-OE
O2, H2S - yellow housing, OR version (Other Regions, 3-pin UK plug)	XT-X0H0-Y-OR
O2, H2S - yellow housing, UK version (United Kingdom)	XT-X0H0-Y-UK
O2, H2S, CO - black housing, AU version (Australia)	XT-X0HM-B-AU
O2, H2S, CO - black housing, BR version (Brazil)	XT-X0HM-B-BR
O2, H2S, CO - black housing, CN version (China/New Zealand)	XT-X0HM-B-CN
O2, H2S, CO - black housing, EU version (Europe)	XT-X0HM-B-EU
O2, H2S, CO - black housing, NA version (North America)	XT-X0HM-B-NA
O2, H2S, CO - black housing, OE version (Other Regions, 2-pin UK plug)	XT-X0HM-B-OE
O2, H2S, CO - black housing, OR version (Other Regions, 3-pin UK plug)	XT-X0HM-B-OR
O2, H2S, CO - black housing, UK version (United Kingdom)	XT-X0HM-B-UK
O2, H2S, CO - yellow housing, AU version (Australia)	XT-X0HM-Y-AU
O2, H2S, CO - yellow housing, BR version (Brazil)	XT-X0HM-Y-BR
O2, H2S, CO - yellow housing, CN version (China/New Zealand)	XT-X0HM-Y-CN
O2, H2S, CO - yellow housing, EU version (Europe)	XT-X0HM-Y-EU
O2, H2S, CO - yellow housing, NA version (North America)	XT-X0HM-Y-NA
O2, H2S, CO - yellow housing, OE version (Other Regions, 2-pin UK plug)	XT-X0HM-Y-OE
O2, H2S, CO - yellow housing, OR version (Other Regions, 3-pin UK plug)	XT-X0HM-Y-OR
O2, H2S, CO - yellow housing, UK version (United Kingdom)	XT-X0HM-Y-UK
% LEL, O2 - black housing, AU version (Australia)	XT-XW00-B-AU
% LEL, O2 - black housing, BR version (Brazil)	XT-XW00-B-BR
% LEL, O2 - black housing, CN version (China/New Zealand)	XT-XW00-B-CN
% LEL, O2 - black housing, EU version (Europe)	XT-XW00-B-EU
% LEL, O2 - black housing, NA version (North America)	XT-XW00-B-NA
% LEL, O2 - black housing, OE version (Other Regions, 2-pin UK plug)	XT-XW00-B-OE
% LEL, O2 - black housing, OR version (Other Regions, 3-pin UK plug)	XT-XW00-B-OR
% LEL, O2 - black housing, UK version (United Kingdom)	XT-XW00-B-UK
% LEL, O2 - yellow housing, AU version (Australia)	XT-XW00-Y-AU
% LEL, O2 - yellow housing, BR version (Brazil)	XT-XW00-Y-BR
% LEL, O2 - yellow housing, CN version (China/New Zealand)	XT-XW00-Y-CN
% LEL, O2 - yellow housing, EU version (Europe)	XT-XW00-Y-EU
% LEL, O2 - yellow housing, NA version (North America)	XT-XW00-Y-NA
% LEL, O2 - yellow housing, OE version (Other Regions, 2-pin UK plug)	XT-XW00-Y-OE
% LEL, O2 - yellow housing, OR version (Other Regions, 3-pin UK plug)	XT-XW00-Y-OR
% LEL, O2 - yellow housing, UK version (United Kingdom)	XT-XW00-Y-UK
% LEL, O2, CO - black housing, AU version (Australia)	XT-XW0M-B-AU
% LEL, O2, CO - black housing, BR version (Brazil)	XT-XW0M-B-BR
% LEL, O2, CO - black housing, CN version (China/New Zealand)	XT-XW0M-B-CN

Full Product Index (continued)

Honeywell BW™ Max XT II Multi-Gas Detector	Order Number
% LEL, O2, CO - black housing, EU version (Europe)	XT-XWOM-B-EU
% LEL, O2, CO - black housing, NA version (North America)	XT-XWOM-B-NA
% LEL, O2, CO - black housing, OE version (Other Regions, 2-pin UK plug)	XT-XWOM-B-OE
% LEL, O2, CO - black housing, OR version (Other Regions, 3-pin UK plug)	XT-XWOM-B-OR
% LEL, O2, CO - black housing, UK version (United Kingdom)	XT-XWOM-B-UK
% LEL, O2, CO - yellow housing, AU version (Australia)	XT-XWOM-Y-AU
% LEL, O2, CO - yellow housing, BR version (Brazil)	XT-XWOM-Y-BR
% LEL, O2, CO - yellow housing, CN version (China/New Zealand)	XT-XWOM-Y-CN
% LEL, O2, CO - yellow housing, EU version (Europe)	XT-XWOM-Y-EU
% LEL, O2, CO - yellow housing, NA version (North America)	XT-XWOM-Y-NA
% LEL, O2, CO - yellow housing, OE version (Other Regions, 2-pin UK plug)	XT-XWOM-Y-OE
% LEL, O2, CO - yellow housing, OR version (Other Regions, 3-pin UK plug)	XT-XWOM-Y-OR
% LEL, O2, CO - yellow housing, UK version (United Kingdom)	XT-XWOM-Y-UK
% LEL, O2, H2S - black housing, AU version (Australia)	XT-XWHO-B-AU
% LEL, O2, H2S - black housing, BR version (Brazil)	XT-XWHO-B-BR
% LEL, O2, H2S - black housing, CN version (China/New Zealand)	XT-XWHO-B-CN
% LEL, O2, H2S - black housing, EU version (Europe)	XT-XWHO-B-EU
% LEL, O2, H2S - black housing, NA version (North America)	XT-XWHO-B-NA
% LEL, O2, H2S - black housing, OE version (Other Regions, 2-pin UK plug)	XT-XWHO-B-OE
% LEL, O2, H2S - black housing, OR version (Other Regions, 3-pin UK plug)	XT-XWHO-B-OR
% LEL, O2, H2S - black housing, UK version (United Kingdom)	XT-XWHO-B-UK
% LEL, O2, H2S - yellow housing, AU version (Australia)	XT-XWHO-Y-AU
% LEL, O2, H2S - yellow housing, BR version (Brazil)	XT-XWHO-Y-BR
% LEL, O2, H2S - yellow housing, CN version (China/New Zealand)	XT-XWHO-Y-CN
% LEL, O2, H2S - yellow housing, EU version (Europe)	XT-XWHO-Y-EU
% LEL, O2, H2S - yellow housing, NA version (North America)	XT-XWHO-Y-NA
% LEL, O2, H2S - yellow housing, OE version (Other Regions, 2-pin UK plug)	XT-XWHO-Y-OE
% LEL, O2, H2S - yellow housing, OR version (Other Regions, 3-pin UK plug)	XT-XWHO-Y-OR
% LEL, O2, H2S - yellow housing, UK version (United Kingdom)	XT-XWHO-Y-UK
% LEL, O2, H2S, CO - black housing, AU version (Australia)	XT-XWHM-B-AU
% LEL, O2, H2S, CO - black housing, BR version (Brazil)	XT-XWHM-B-BR
% LEL, O2, H2S, CO - black housing, CN version (China/New Zealand)	XT-XWHM-B-CN
% LEL, O2, H2S, CO - black housing, EU version (Europe)	XT-XWHM-B-EU
% LEL, O2, H2S, CO - black housing, NA version (North America)	XT-XWHM-B-NA
% LEL, O2, H2S, CO - black housing, OE version (Other Regions, 2-pin UK plug)	XT-XWHM-B-OE
% LEL, O2, H2S, CO - black housing, OR version (Other Regions, 3-pin UK plug)	XT-XWHM-B-OR
% LEL, O2, H2S, CO - black housing, UK version (United Kingdom)	XT-XWHM-B-UK
% LEL, O2, H2S, CO - yellow housing, AU version (Australia)	XT-XWHM-Y-AU
% LEL, O2, H2S, CO - yellow housing, BR version (Brazil)	XT-XWHM-Y-BR
% LEL, O2, H2S, CO - yellow housing, CN version (China/New Zealand)	XT-XWHM-Y-CN
% LEL, O2, H2S, CO - yellow housing, EU version (Europe)	XT-XWHM-Y-EU
% LEL, O2, H2S, CO - yellow housing, NA version (North America)	XT-XWHM-Y-NA
% LEL, O2, H2S, CO - yellow housing, OE version (Other Regions, 2-pin UK plug)	XT-XWHM-Y-OE
% LEL, O2, H2S, CO - yellow housing, OR version (Other Regions, 3-pin UK plug)	XT-XWHM-Y-OR
% LEL, O2, H2S, CO - yellow housing, UK version (United Kingdom)	XT-XWHM-Y-UK

Honeywell BW™ Max XT II Accessories	Order Number
Honeywell BW™ Max XT II Premium Confined Space Kit - includes Honeywell BW™ Max XT II detector (% LEL, O2, H2S, CO) and standard package contents, plus wall charging adaptor, IR Connectivity Kit with Fleet Manager II software, sampling probe, hydrophobic (5) and particulate (5) pump filters, 10 ft. / 3 m sampling hose, 34 L calibration gas (2.5% CH4, 1.8% O2, 25 ppm H2S, 100 ppm CO), 0.5 LPM regulator and carrying case with foam insert.	XT-XWHM-Y-NA-CS
Honeywell BW™ Max XT II Deluxe Confined Space Kit - includes IR Connectivity Kit with Fleet Manager II software, sampling probe, 10 ft. / 3 m sampling hose, 3 ft. / 1 m hose, concussion-proof boot, carrying holster, 0.5 LPM regulator and carrying case with foam insert. Note: Detector and calibration gas sold separately.	XT-CK-DL
Carrying Case for Honeywell BW™ Max XT with foam insert from XT-CK-DL kit. Note: Detector, sampling equipment and calibration gas sold separately.	XT-CK-CC
Concussion-proof boot with stainless steel alligator-style clip for Honeywell BW™ Max XT II	GA-BXT
Carrying holster for Honeywell BW™ Max XT II and sampling hose	GA-HXT
Multi-unit (5) cradle charger	XT-CO1-MC5

Honeywell BW™ Max XT II Replacements, Spares & Service Parts	Order Number
Replacement quad sensor screens for Honeywell BW™ Max XT II (kit of 2)	XT-SS-1
Replacement quad sensor screens For Honeywell BW™ Max XT II (kit of 10)	XT-SS-K2

Honeywell BW™ Max XT II Replacements, Spares & Service Parts	Order Number
Particulate pump filter (thick) replacement (kit of 5)	GA-PFMAX
Particulate pump filter (thick) replacement (kit of 100)	GA-PFMAX-100
Particulate pump filter (thick) replacement (kit of 50)	GA-PFMAX-50
Hydrophobic pump filter (thin) replacement (kit of 100)	XT-RF-H100
Hydrophobic pump filter (thin) replacement (kit of 5)	XT-RF-H5
Hydrophobic pump filter (thin) replacement (kit of 50)	XT-RF-H50
Replacement alligator-style clip (stainless steel with screw)	XT-AG-1
Replacement front enclosure (yellow) for Honeywell BW™ Max XT II	XT-FC1-1
Replacement front enclosure (black) for Honeywell BW™ Max XT II	XT-FC1B-1
Replacement back enclosure (yellow) with screws for Honeywell BW™ Max XT II	XT-BC1
Replacement back enclosure (black) with screws for Honeywell BW™ Max XT II	XT-BC1B
Replacement pump enclosure (yellow) with screw for Honeywell BW™ Max XT II	XT-PC1
Replacement pump enclosure (black) with screw for Honeywell BW™ Max XT II	XT-PC1B
Replacement battery kit for Honeywell BW™ Max XT II	XT-BAT-K1
Replacement pump kit for Honeywell BW™ Max XT II	XT-RPUMP-K1
Replacement LCD kit for Honeywell BW™ Max XT II	XT-LCD-K1
Replacement main PCB with screws for Honeywell BW™ Max XT II	XT-MPCB2
Replacement sensor enclosure (yellow) with screw for Honeywell BW™ Max XT II	XT-SC1
Replacement sensor enclosure (black) with screw for Honeywell BW™ Max XT II	XT-SC1B
Replacement screw kit for Honeywell BW™ Max XT II (kit of 40 screws, services 5 units)	XT-SCREW-K1

GasAlertMicro 5 Series Multi-Gas Detector	Order Number
CO2 (IR) - rechargeable battery - black housing	M5IR-00B0-R-D-D-B-N-00
CO2 (IR) - rechargeable battery - yellow housing	M5IR-00B0-R-D-D-Y-N-00
CO2 (IR) - rechargeable battery and pump - black housing	M5IR-00B0-R-P-D-B-N-00
CO2 (IR) - rechargeable battery and pump - yellow housing	M5IR-00B0-R-P-D-Y-N-00
CO2 (IR), % LEL, O2 - rechargeable battery - black housing	M5IR-XWB0-R-D-D-B-N-00
CO2 (IR), % LEL, O2 - rechargeable battery - yellow housing	M5IR-XWB0-R-D-D-Y-N-00
CO2 (IR), % LEL, O2 - rechargeable battery and pump - black housing	M5IR-XWB0-R-P-D-B-N-00
CO2 (IR), % LEL, O2 - rechargeable battery and pump - yellow housing	M5IR-XWB0-R-P-D-Y-N-00
CO2 (IR), % LEL, O2, H2S - rechargeable battery - black housing	M5IR-XWBH-R-D-D-B-N-00
CO2 (IR), % LEL, O2, H2S - rechargeable battery - yellow housing	M5IR-XWBH-R-D-D-Y-N-00
CO2 (IR), % LEL, O2, H2S - rechargeable battery and pump - black housing	M5IR-XWBH-R-P-D-B-N-00
CO2 (IR), % LEL, O2, H2S - rechargeable battery and pump - yellow housing	M5IR-XWBH-R-P-D-Y-N-00
CO2 (IR), % LEL, O2, H2S, CO - rechargeable battery - black housing	M5IR-XWBY-R-D-D-B-N-00
CO2 (IR), % LEL, O2, H2S, CO - rechargeable battery - yellow housing	M5IR-XWBY-R-D-D-Y-N-00
CO2 (IR), % LEL, O2, H2S, CO - rechargeable battery and pump - black housing	M5IR-XWBY-R-P-D-B-N-00
CO2 (IR), % LEL, O2, H2S, CO - rechargeable battery and pump - yellow housing	M5IR-XWBY-R-P-D-Y-N-00
VOCs - alkaline batteries and pump - black housing	M5PID-00Q0-A-P-D-B-N-00
VOCs - alkaline batteries and pump - yellow housing	M5PID-00Q0-A-P-D-Y-N-00
VOCs - rechargeable battery and pump - black housing	M5PID-00Q0-R-P-D-B-N-00
VOCs - rechargeable battery and pump - yellow housing	M5PID-00Q0-R-P-D-Y-N-00
VOCs, % LEL - alkaline batteries and pump - black housing	M5PID-0WQ0-A-P-D-B-N-00
VOCs, % LEL, O2 - alkaline batteries and pump - black housing	M5PID-XWQ0-A-P-D-B-N-00
VOCs, % LEL, O2 - alkaline batteries and pump - yellow housing	M5PID-XWQ0-A-P-D-Y-N-00
VOCs, % LEL, O2 - rechargeable battery and pump - black housing	M5PID-XWQ0-R-P-D-B-N-00
VOCs, % LEL, O2 - rechargeable battery and pump - yellow housing	M5PID-XWQ0-R-P-D-Y-N-00
VOCs, % LEL, O2, CO - rechargeable battery and pump - yellow housing	M5PID-XWQM-R-P-D-Y-N-00
VOCs, % LEL, O2, H2S, CO - alkaline batteries and pump - black housing	M5PID-XWQY-A-P-D-B-N-00
VOCs, % LEL, O2, H2S, CO - alkaline batteries and pump - yellow housing	M5PID-XWQY-A-P-D-Y-N-00
VOCs, % LEL, O2, H2S, CO - rechargeable battery - yellow housing	M5PID-XWQY-R-D-D-Y-N-00
VOCs, % LEL, O2, H2S, CO - rechargeable battery and pump - black housing	M5PID-XWQY-R-P-D-B-N-00
VOCs, % LEL, O2, H2S, CO - rechargeable battery and pump - yellow housing	M5PID-XWQY-R-P-D-Y-N-00
% LEL, O2, H2S, CO - alkaline batteries - yellow housing	M5-XW0Y-A-D-D-Y-N-00
% LEL, O2, H2S, CO - alkaline batteries and pump - black housing	M5-XW0Y-A-P-D-B-N-00
% LEL, O2, H2S, CO - alkaline batteries and pump - yellow housing	M5-XW0Y-A-P-D-Y-N-00
% LEL, O2, H2S, CO - rechargeable battery - black housing	M5-XW0Y-R-D-D-B-N-00
% LEL, O2, H2S, CO - rechargeable battery - yellow housing	M5-XW0Y-R-D-D-Y-N-00
% LEL, O2, H2S, CO - rechargeable battery and pump - black housing	M5-XW0Y-R-P-D-B-N-00
% LEL, O2, H2S, CO - rechargeable battery and pump - yellow housing	M5-XW0Y-R-P-D-Y-N-00

Note: GasAlertMicro 5 Series rechargeable products manufactured after January 1, 2017 no longer comply with California and Oregon CEC,400,2012,FS,002 regulation related to battery charging systems. As a result the rechargeable configurations of GasAlertMicro 5 Series detectors cannot be sold or shipped to the states of Oregon and California. Please contact your local Honeywell Analytics Office to know the availability of products manufactured prior to December, 31, 2016 that could still be shipped to the states of California and Oregon or to identify alternative products.

Full Product Index (continued)

GasAlertMicro 5 Series Multi-Gas Detector	Order Number
% LEL, O2, H2S, CO, NH3 - alkaline batteries and pump - yellow housing	M5-XWAY-A-P-D-Y-N-00
% LEL, O2, H2S, CO, NH3 - rechargeable battery - black housing	M5-XWAY-R-D-D-B-N-00
% LEL, O2, H2S, CO, NH3 - rechargeable battery - yellow housing	M5-XWAY-R-D-D-Y-N-00
% LEL, O2, H2S, CO, NH3 - rechargeable battery and pump - black housing	M5-XWAY-R-P-D-B-N-00
% LEL, O2, H2S, CO, NH3 - rechargeable battery and pump - yellow housing	M5-XWAY-R-P-D-Y-N-00
% LEL, O2, H2S, CO, Cl2 - rechargeable battery - black housing	M5-XWCY-R-D-D-B-N-00
% LEL, O2, H2S, CO, Cl2 - rechargeable battery - yellow housing	M5-XWCY-R-D-D-Y-N-00
% LEL, O2, H2S, CO, Cl2 - rechargeable battery and pump - black housing	M5-XWCY-R-P-D-B-N-00
% LEL, O2, H2S, CO, Cl2 - rechargeable battery and pump - yellow housing	M5-XWCY-R-P-D-Y-N-00
% LEL, O2, H2S, CO, NO2 - rechargeable battery and pump - yellow housing	M5-XWDY-R-P-D-Y-N-00
% LEL, O2, H2S, CO, SO2 - alkaline batteries - yellow housing	M5-XWSY-A-D-D-Y-N-00
% LEL, O2, H2S, CO, SO2 - alkaline batteries and pump - yellow housing	M5-XWSY-A-P-D-Y-N-00
% LEL, O2, H2S, CO, SO2 - rechargeable battery - black housing	M5-XWSY-R-D-D-B-N-00
% LEL, O2, H2S, CO, SO2 - rechargeable battery - yellow housing	M5-XWSY-R-D-D-Y-N-00
% LEL, O2, H2S, CO, SO2 - rechargeable battery and pump - black housing	M5-XWSY-R-P-D-B-N-00
% LEL, O2, H2S, CO, SO2 - rechargeable battery and pump - yellow housing	M5-XWSY-R-P-D-Y-N-00

Note: GasAlertMicro 5 Series rechargeable products manufactured after January 1, 2017 no longer comply with California and Oregon CEC,400,2012,FS,002 regulation related to battery charging systems. As a result the rechargeable configurations of GasAlertMicro 5 Series detectors cannot be sold or shipped to the states of Oregon and California. Please contact your local Honeywell Analytics Office to know the availability of products manufactured prior to December, 31, 2016 that could still be shipped to the states of California and Oregon or to identify alternative products.

GasAlertMicro 5 Series Accessories	Order Number
GasAlertMicro 5 Series Deluxe Confined Space Kit - includes manual aspirator kit, sampling probe with holster, five spare auxiliary filters and three spare quick connect fittings, 10 ft. / 3 m sampling hose, carrying holster, calibration cap, 1.0 LPM regulator and carrying case with foam insert. Note: Detector and calibration gas sold separately.	M5-CK-DL
Carrying case for GasAlertMicro 5 Series with foam and lid insert	M5-CK-CC
Integral motorized pump kit with visible integrated filter, yellow, includes motorized pump cover, 1 ft. / 30 cm sample probe with filter kit, 5 ft. / 1.5 m sampling hose and two spare pump filters.	M5-PUMP
Integral motorized pump kit with visible integrated filter, black, includes motorized pump cover, 1 ft. / 30 cm sample probe with filter kit, 5 ft. / 1.5 m sampling hose and two spare pump filters.	M5-PUMPB
Concussion-proof boot, diffusion units	GA-BM5-1
Concussion-proof boot, pump units	GA-BM5-2
Carrying holster for GasAlertMicro 5 Series	GA-HM5
Multi-unit (5) power adaptor, AU version (Australia)	GA-PA-1-MC5-AU
Multi-unit (5) power adaptor, EU version (Europe)	GA-PA-1-MC5-EU
Multi-unit (5) power adaptor, UK version (United Kingdom)	GA-PA-1-MC5-UK
12 Vdc vehicle adaptor cable for use with cradle charger (M5-C01)	GA-V-CHRG4
Alkaline battery pack, European-style safety screws, yellow*	M5-BAT0502
Rechargeable battery pack, yellow*	M5-BAT08
Rechargeable battery pack, black*	M5-BAT08B
Cradle charger for rechargeable battery packs	M5-C01
Cradle charger and rechargeable battery pack, yellow*	M5-C01-BAT08
Cradle charger and rechargeable battery pack, black*	M5-C01-BAT08B

Note: GasAlertMicro 5 Series rechargeable products manufactured after January 1, 2017 no longer comply with California and Oregon CEC,400,2012,FS,002 regulation related to battery charging systems. As a result the rechargeable configurations of GasAlertMicro 5 Series detectors cannot be sold or shipped to the states of Oregon and California. Please contact your local Honeywell Analytics Office to know the availability of products manufactured prior to December, 31, 2016 that could still be shipped to the states of California and Oregon or to identify alternative products.

GasAlertMicro 5 Series Replacements, Spares & Service Parts	Order Number
Quad sensor screen filters (kit of 2)	M5-SS
Test cap and hose (1.5 ft. / 0.5 m) replacement	M5-TC-1
Auxiliary pump filter (kit of 100)	M5-AF-K2-100
Auxiliary pump filter (kit of 5)	M5-AF-K2
Auxiliary pump filter compatible with hose	M5-QCONN-K1
Replacement auxiliary pump filter for use with Generation 2 pump modules (with filter window) (kit of 100)	M5-AF-K3-100
Replacement auxiliary pump filter for use with Generation 2 pump modules (with filter window) (kit of 5)	M5-AF-K3
Replacement back enclosure (black) with screws for GasAlertMicro 5 Series	M5-BC1B
Replacement back enclosure (yellow) with screws for GasAlertMicro 5 Series	M5-BC1
Replacement battery latch	M5-BL-1
Replacement diffusion cover, black	M5-DCB-1
Replacement diffusion cover, yellow	M5-DC-1
Replacement front enclosure (black) for GasAlertMicro 5	M5-FC1B
Replacement front enclosure (yellow) for GasAlertMicro 5	M5-FC1

Note: GasAlertMicro 5 Series rechargeable products manufactured after January 1, 2017 no longer comply with California and Oregon CEC,400,2012,FS,002 regulation related to battery charging systems. As a result the rechargeable configurations of GasAlertMicro 5 Series detectors cannot be sold or shipped to the states of Oregon and California. Please contact your local Honeywell Analytics Office to know the availability of products manufactured prior to December, 31, 2016 that could still be shipped to the states of California and Oregon or to identify alternative products.

GasAlertMicro 5 Series Replacements, Spares & Service Parts	Order Number
Replacement screw kit for GasAlertMicro 5 Series (kit of 45 screws, services 5 units)	M5-SCREW-K1
Replacement screwdriver (reversible hex/Phillips driver) and alkaline battery pack screws for GasAlertMicro 5 Series	M5-ALLEN
MultiMedia card	M5-MMC
Replacement main PCB for GasAlertMicro 5 Series	M5-DL2-MPCB3
Replacement sensor PCB for GasAlertMicro 5	M5-SPCB3
Replacement sensor PCB for GasAlertMicro 5 IR	M5IR-SPCB1
Replacement sensor PCB for GasAlertMicro 5 PID	M5PID-SPCB3
Alkaline battery pack, black*	M5-BAT0501B
Alkaline battery pack, yellow*	M5-BAT0501
Replacement nozzle for generation 2 GasAlertMicro 5 Series pump module (with filter window)	M5-PN-1
Replacement pump, black	M5-PRB-1
Replacement pump, yellow	M5-PR-1
Cleaning kit for PID sensor (for lamp only)	M5PID-CLN-K1
Replacement electrode stacks for PID sensor (SR-Q07) (kit of 2)	M5PID-ES-1
Replacement PID lamp, (10.6 eV) for PID sensor (SR-Q07) - Note: 1 year warranty.	RL-PID10.6

Note: GasAlertMicro 5 Series rechargeable products manufactured after January 1, 2017 no longer comply with California and Oregon CEC,400,2012,FS,002 regulation related to battery charging systems. As a result the rechargeable configurations of GasAlertMicro 5 Series detectors cannot be sold or shipped to the states of Oregon and California. Please contact your local Honeywell Analytics Office to know the availability of products manufactured prior to December, 31, 2016 that could still be shipped to the states of California and Oregon or to identify alternative products.

Honeywell BW™ Ultra Multi-Gas Detector	Order Number
O2, LEL, H2S, CO, NH3, black housing	HU-X1W1H1M1A1-B-N
O2, LEL, H2S, CO, NH3, yellow housing	HU-X1W1H1M1A1-Y-N
O2, LEL, H2S, CO, CO2 IR, black housing	HU-X1W1H1M1B1-B-N
O2, LEL, H2S, CO, CO2 IR, yellow housing	HU-X1W1H1M1B1-Y-N
O2, LEL, H2S, CO, Cl2, black housing	HU-X1W1H1M1C1-B-N
O2, LEL, H2S, CO, Cl2, yellow housing	HU-X1W1H1M1C1-Y-N
O2, LEL, H2S, CO, VOCs, black housing	HU-X1W1H1M1Q1-B-N
O2, LEL, H2S, CO, VOCs, yellow housing	HU-X1W1H1M1Q1-Y-N
O2, LEL, H2S, CO, SO2, black housing	HU-X1W1H1M1S1-B-N
O2, LEL, H2S, CO, SO2, yellow housing	HU-X1W1H1M1S1-Y-N
O2, LEL, H2S, CO, black housing	HU-X1W1H1M100-B-N
O2, LEL, H2S, CO, yellow housing	HU-X1W1H1M100-Y-N

Note: Listed above are commonly ordered instrument configurations. For other configurations, use the configurator table on page 49 or contact Honeywell Analytics.

Honeywell BW™ Ultra Multi-Gas Accessories	Order Number	Price (USD)
Honeywell BW™ Ultra Deluxe Confined Space Kit	HU-CK-DL	
Carrying case for Honeywell BW™ Ultra with foam and lid insert	HU-CK-CC	
Concussion-proof boot	HU-BOOT	
Impact screen protector	HU-ISP	
LCD scratch protector (kit of 5)	HU-PG5	
LCD scratch protector (kit of 50)	HU-PG50	
Multi-unit cradle charger	HU-C01-MC5	
Rechargeable battery pack with screw	HU-BAT	

Honeywell BW™ Ultra Replacements, Spares & Service Parts	Order Number
Replacement alligator clip with screw	HU-AG
Replacement rechargeable battery pack with screw	HU-BAT
Replacement back enclosure	HU-BC
Replacement exhaust filter kit (kit of 10)	HU-EX-FIL
Replacement exhaust filter kit (kit of 10)	HU-EX-FIL
Replacement front enclosure with LCD gasket (black)	HU-FC-B
Replacement front enclosure with LCD gasket (yellow)	HU-FC-Y
Replacement flex PCB	HU-FPCB
Replacement pump inlet with screw	HU-IN
Replacement pump inlet connector	HU-INCONN
Replacement pump inlet connector	HU-INCONN
Replacement inlet filter kit (kit of 10)	HU-IN-FIL
Replacement inlet filter kit (kit of 10)	HU-IN-FIL
Replacement LCD kit (includes LCD, LCD holder, and flex connector)	HU-LCD
Replacement manifold kit (includes one-series sensor manifold and exhaust manifold assemblies)	HU-MAN
Replacement PCB assembly	HU-PCB
Replacement pump (includes pump and 4R+ manifold)	HU-PUMP
Replacement screw kit for 5 detectors	HU-SCREW

Full Product Index (continued)

PhD6 Multi-Gas Detector	Order Number
O2 - rechargeable batteries	54-53-A0000000N
O2 - rechargeable batteries, vibrating alarm	54-53-A0000000NY
O2, IR-CO2 - alkaline batteries	54-53-A00005000A
O2, IR-CO2 - rechargeable batteries, datalogging, vibrating alarm	54-53-A00005000NW
O2, IR-CO2, PID - rechargeable batteries, datalogging, vibrating alarm	54-53-A00005052NW
O2, IR-CO2, LEL - rechargeable batteries, datalogging, vibrating alarm	54-53-A00005080NW
O2, IR-CH4 - rechargeable batteries, datalogging, vibrating alarm	54-53-A00005100NW
O2, PID - alkaline batteries	54-53-A00005200A
O2, PID - alkaline batteries, datalogging, vibrating alarm	54-53-A00005200AW
O2, PID - rechargeable batteries	54-53-A00005200N
O2, PID - rechargeable batteries, datalogging, vibrating alarm	54-53-A00005200NW
O2, PID, LEL - alkaline batteries, datalogging, vibrating alarm	54-53-A00005280AW
O2, PID, LEL - rechargeable batteries	54-53-A00005280N
O2, PID, LEL - rechargeable batteries, datalogging	54-53-A00005280ND
O2, PID, LEL - rechargeable batteries, datalogging, vibrating alarm	54-53-A00005280NW
O2, LEL - alkaline batteries	54-53-A00008000A
O2, LEL - rechargeable batteries	54-53-A00008000N
O2, LEL - rechargeable batteries, datalogging	54-53-A00008000ND
O2, LEL - rechargeable batteries, datalogging, vibrating alarm	54-53-A00008000NW
O2, LEL - rechargeable batteries, vibrating alarm	54-53-A00008000NY
O2, CO - rechargeable batteries, datalogging, vibrating alarm	54-53-A01000000NW
O2, CO, IR-CO2 - alkaline batteries	54-53-A01005000A
O2, CO, IR-CO2 - rechargeable batteries	54-53-A01005000N
O2, CO, IR-CO2 - rechargeable batteries, datalogging, vibrating alarm	54-53-A01005000NW
O2, CO, IR-CO2, PID - rechargeable batteries, datalogging, vibrating alarm	54-53-A01005052NW
O2, CO, IR-CO2, LEL - rechargeable batteries	54-53-A01005080N
O2, CO, IR-CO2, LEL - rechargeable batteries, datalogging, vibrating alarm	54-53-A01005080NW
O2, CO, IR-CH4 - rechargeable batteries	54-53-A01005100N
O2, CO, IR-CH4 - rechargeable batteries, datalogging, vibrating alarm	54-53-A01005100NW
O2, CO, IR-CH4, PID - rechargeable batteries, datalogging, vibrating alarm	54-53-A01005152NW
O2, CO, PID, LEL - alkaline batteries, datalogging, vibrating alarm	54-53-A01005280AW
O2, CO, PID, LEL - rechargeable batteries	54-53-A01005280N
O2, CO, PID, LEL - rechargeable batteries, datalogging	54-53-A01005280ND
O2, CO, PID, LEL - rechargeable batteries, datalogging, vibrating alarm	54-53-A01005280NW
O2, CO, PID, LEL - rechargeable batteries, vibrating alarm	54-53-A01005280NY
O2, CO, LEL - alkaline batteries	54-53-A01008000A
O2, CO, LEL - alkaline batteries, datalogging	54-53-A01008000AD
O2, CO, LEL - rechargeable batteries	54-53-A01008000N
O2, CO, LEL - rechargeable batteries, datalogging	54-53-A01008000ND
O2, CO, LEL - rechargeable batteries, datalogging, vibrating alarm	54-53-A01008000NW
O2, CO, H2S, SO2, LEL - alkaline batteries	54-53-A01020380A
O2, CO, H2S, SO2, LEL - alkaline batteries, datalogging	54-53-A01020380AD
O2, CO, H2S, SO2, LEL - rechargeable batteries	54-53-A01020380N
O2, CO, H2S, SO2, LEL - rechargeable batteries, datalogging	54-53-A01020380ND
O2, CO, H2S, SO2, LEL - rechargeable batteries, datalogging, vibrating alarm	54-53-A01020380NW
O2, CO, H2S, SO2, LEL - rechargeable batteries, vibrating alarm	54-53-A01020380NY
O2, CO, H2S, NO, LEL - rechargeable batteries, datalogging, vibrating alarm	54-53-A01020680NW
O2, CO, H2S, NO2, LEL - rechargeable batteries	54-53-A01020980N
O2, CO, H2S, NO2, LEL - rechargeable batteries, datalogging	54-53-A01020980ND
O2, CO, H2S, NO2, LEL - rechargeable batteries, datalogging, vibrating alarm	54-53-A01020980NW
O2, CO, H2S, NO2, LEL - rechargeable batteries, vibrating alarm	54-53-A01020980NY
O2, CO, H2S, PH3, LEL - rechargeable batteries	54-53-A01021380N
O2, CO, H2S, PH3, LEL - rechargeable batteries, datalogging, vibrating alarm	54-53-A01021380NW
O2, CO, H2S, PH3, LEL - rechargeable batteries, vibrating alarm	54-53-A01021380NY
O2, CO, H2S, CO-H, LEL - rechargeable batteries, datalogging	54-53-A01021980ND
O2, CO, H2S, NH3, LEL - alkaline batteries	54-53-A01022180A
O2, CO, H2S, NH3, LEL - alkaline batteries, datalogging, vibrating alarm	54-53-A01022180AW
O2, CO, H2S, NH3, LEL - rechargeable batteries	54-53-A01022180N
O2, CO, H2S, NH3, LEL - rechargeable batteries, datalogging	54-53-A01022180ND

Note: PhD6 rechargeable products manufactured after January 1, 2017 no longer comply with California and Oregon CEC,400,2012,FS,002 regulation related to battery charging systems. As a result the rechargeable configurations of PhD6 detectors cannot be sold or shipped to the states of Oregon and California. Please contact your local Honeywell Analytics Office to know the availability of products manufactured prior to December, 31, 2016 that could still be shipped to the states of California and Oregon or to identify alternative products.

PhD6 Multi-Gas Detector	Order Number
O2, CO, H2S, NH3, LEL - rechargeable batteries, datalogging, vibrating alarm	54-53-A01022180NW
O2, CO, H2S, HCN, LEL - rechargeable batteries	54-53-A01022380N
O2, CO, H2S, HCN, LEL - rechargeable batteries, datalogging	54-53-A01022380ND
O2, CO, H2S, HCN, LEL - rechargeable batteries, datalogging, vibrating alarm	54-53-A01022380NW
O2, CO, H2S, HCN, LEL - rechargeable batteries, vibrating alarm	54-53-A01022380NY
O2, CO, H2S, IR-CO2, PID - rechargeable batteries, datalogging, vibrating alarm	54-53-A01025052NW
O2, CO, H2S, IR-CO2, LEL - rechargeable batteries	54-53-A01025080N
O2, CO, H2S, IR-CO2, LEL - rechargeable batteries, datalogging	54-53-A01025080ND
O2, CO, H2S, IR-CO2, LEL - rechargeable batteries, datalogging, vibrating alarm	54-53-A01025080NW
O2, CO, H2S, IR-CH4 - rechargeable batteries, datalogging, vibrating alarm	54-53-A01025100NW
O2, CO, H2S, IR-CH4, LEL - rechargeable batteries	54-53-A01025180N
O2, CO, H2S, IR-CH4, LEL - rechargeable batteries, datalogging, vibrating alarm	54-53-A01025180NW
O2, CO, H2S, PID, LEL - alkaline batteries	54-53-A01025280A
O2, CO, H2S, PID, LEL - alkaline batteries, datalogging	54-53-A01025280AD
O2, CO, H2S, PID, LEL - alkaline batteries, datalogging, vibrating alarm	54-53-A01025280AW
O2, CO, H2S, PID, LEL - rechargeable batteries	54-53-A01025280N
O2, CO, H2S, PID, LEL - rechargeable batteries, datalogging	54-53-A01025280ND
O2, CO, H2S, PID, LEL - rechargeable batteries, datalogging, vibrating alarm	54-53-A01025280NW
O2, CO, H2S, PID, LEL - rechargeable batteries, vibrating alarm	54-53-A01025280NY
O2, CO, H2S, LEL - alkaline batteries	54-53-A01028000A
O2, CO, H2S, LEL - alkaline batteries, datalogging	54-53-A01028000AD
O2, CO, H2S, LEL - alkaline batteries, datalogging, vibrating alarm	54-53-A01028000AW
O2, CO, H2S, LEL - rechargeable batteries	54-53-A01028000N
O2, CO, H2S, LEL - rechargeable batteries, US Navy Kit	54-53-A01028000N7
O2, CO, H2S, LEL - rechargeable batteries, datalogging	54-53-A01028000ND
O2, CO, H2S, LEL - rechargeable batteries, datalogging, vibrating alarm	54-53-A01028000NW
O2, CO, H2S, LEL - rechargeable batteries, vibrating alarm	54-53-A01028000NY
O2, CO, SO2, NO, LEL - rechargeable batteries	54-53-A01030680N
O2, CO, SO2, NO, LEL - rechargeable batteries, datalogging	54-53-A01030680ND
O2, CO, SO2, NO, LEL - rechargeable batteries, datalogging, vibrating alarm	54-53-A01030680NW
O2, CO, SO2, NO2 - rechargeable batteries, datalogging, vibrating alarm	54-53-A01030900NW
O2, CO, SO2, NO2, IR-CO2 - rechargeable batteries, datalogging, vibrating alarm	54-53-A01030950NW
O2, CO, SO2, NO2, PID - rechargeable batteries, datalogging, vibrating alarm	54-53-A01030952NW
O2, CO, SO2, NO2, LEL - rechargeable batteries	54-53-A01030980N
O2, CO, SO2, NO2, LEL - rechargeable batteries, datalogging, vibrating alarm	54-53-A01030980NW
O2, CO, SO2, NH3 - rechargeable batteries, datalogging, vibrating alarm	54-53-A01032100NW
O2, CO, SO2, NH3, LEL - alkaline batteries	54-53-A01032180A
O2, CO, SO2, NH3, LEL - rechargeable batteries, datalogging, vibrating alarm	54-53-A01032180NW
O2, CO, SO2, HCN, LEL - rechargeable batteries, datalogging	54-53-A01032380ND
O2, CO, SO2, IR-CO2, LEL - rechargeable batteries	54-53-A01035080N
O2, CO, SO2, PID, LEL - rechargeable batteries	54-53-A01035280N
O2, CO, SO2, PID, LEL - rechargeable batteries, datalogging	54-53-A01035280ND
O2, CO, SO2, PID, LEL - rechargeable batteries, vibrating alarm	54-53-A01035280NY
O2, CO, SO2, LEL - alkaline batteries	54-53-A01038000A
O2, CO, SO2, LEL - alkaline batteries, datalogging	54-53-A01038000AD
O2, CO, SO2, LEL - rechargeable batteries	54-53-A01038000N
O2, CO, SO2, LEL - rechargeable batteries, datalogging, vibrating alarm	54-53-A01038000NW
O2, CO, SO2, LEL - rechargeable batteries, vibrating alarm	54-53-A01038000NY
O2, CO, NO, NO2 - rechargeable batteries, vibrating	54-53-A01060900AY
O2, CO, NO, NO2, IR-CO2 - alkaline batteries	54-53-A01060950A
O2, CO, NO, NO2, IR-CO2 - rechargeable batteries	54-53-A01060950N
O2, CO, NO, NO2, IR-CO2 - rechargeable batteries, datalogging, vibrating alarm	54-53-A01060950NW
O2, CO, NO, NO2, LEL - rechargeable batteries, datalogging, vibrating alarm	54-53-A01060980NW
O2, CO, NO, IR-CO2 - rechargeable batteries, datalogging, vibrating alarm	54-53-A01065000NW
O2, CO, NO, LEL - rechargeable batteries	54-53-A01068000N
O2, CO, NO, LEL - rechargeable batteries, datalogging	54-53-A01068000ND
O2, CO, NO, LEL - rechargeable batteries, datalogging, vibrating alarm	54-53-A01068000NW
O2, CO, NO2 - rechargeable batteries, datalogging, vibrating alarm	54-53-A01090000NW
O2, CO, NO2, NH3 - rechargeable batteries, datalogging	54-53-A01092100ND

Note: PhD6 rechargeable products manufactured after January 1, 2017 no longer comply with California and Oregon CEC,400,2012,FS,002 regulation related to battery charging systems. As a result the rechargeable configurations of PhD6 detectors cannot be sold or shipped to the states of Oregon and California. Please contact your local Honeywell Analytics Office to know the availability of products manufactured prior to December, 31, 2016 that could still be shipped to the states of California and Oregon or to identify alternative products.

Full Product Index (continued)

PhD6 Multi-Gas Detector	Order Number
O2, CO, NO2, HCN, LEL - rechargeable batteries, datalogging	54-53-A01092380ND
O2, CO, NO2, IR-CO2 - rechargeable batteries, datalogging, vibrating alarm	54-53-A01095000NW
O2, CO, NO2, IR-CO2, LEL - rechargeable batteries, datalogging, vibrating alarm	54-53-A01095080NW
O2, CO, NO2, LEL - rechargeable batteries	54-53-A01098000N
O2, CO, NO2, LEL - rechargeable batteries, datalogging, vibrating alarm	54-53-A01098000NW
O2, CO, PH3, NH3, LEL - rechargeable batteries	54-53-A01132180N
O2, CO, PH3, IR-CH4 - rechargeable batteries	54-53-A01135100N
O2, CO, PH3, PID - rechargeable batteries, datalogging, vibrating alarm	54-53-A01135200NW
O2, CO, PH3, LEL - alkaline batteries, datalogging, vibrating alarm	54-53-A01138000AW
O2, CO, PH3, LEL - rechargeable batteries	54-53-A01138000N
O2, CO, PH3, LEL - rechargeable batteries, datalogging	54-53-A01138000ND
O2, CO, PH3, LEL - rechargeable batteries, vibrating alarm	54-53-A01138000NY
O2, CO, Cl2, H2S, SO2 - rechargeable batteries, datalogging, vibrating alarm	54-53-A01180203NW
O2, CO, Cl2, H2S, LEL - alkaline batteries	54-53-A01180280A
O2, CO, Cl2, H2S, LEL - rechargeable batteries	54-53-A01180280N
O2, CO, Cl2, H2S, LEL - rechargeable batteries, datalogging	54-53-A01180280ND
O2, CO, Cl2, H2S, LEL - rechargeable batteries, datalogging, vibrating alarm	54-53-A01180280NW
O2, CO, Cl2, H2S, LEL - rechargeable batteries, vibrating alarm	54-53-A01180280NY
O2, CO, Cl2, NH3, LEL - rechargeable batteries	54-53-A01182180N
O2, CO, Cl2, HCN, LEL - rechargeable batteries, datalogging	54-53-A01182380ND
O2, CO, Cl2, PID, LEL - rechargeable batteries	54-53-A01185280N
O2, CO, Cl2, PID, LEL - rechargeable batteries, datalogging, vibrating alarm	54-53-A01185280NW
O2, CO, Cl2, LEL - rechargeable batteries	54-53-A01188000N
O2, CO, Cl2, LEL - rechargeable batteries, datalogging	54-53-A01188000ND
O2, CO, ClO2, H2S, LEL - rechargeable batteries	54-53-A01200280N
O2, CO, ClO2, H2S, LEL - rechargeable batteries, datalogging	54-53-A01200280ND
O2, CO, NH3, HCN, LEL - rechargeable batteries, datalogging	54-53-A01212380ND
O2, CO, NH3, IR-CO2, LEL - rechargeable batteries	54-53-A01215080N
O2, CO, NH3, IR-CO2, LEL - rechargeable batteries, datalogging, vibrating alarm	54-53-A01215080NW
O2, CO, NH3, PID, LEL - rechargeable batteries	54-53-A01215280N
O2, CO, NH3, PID, LEL - rechargeable batteries, datalogging, vibrating alarm	54-53-A01215280NW
O2, CO, NH3, LEL - alkaline batteries	54-53-A01218000A
O2, CO, NH3, LEL - rechargeable batteries	54-53-A01218000N
O2, CO, NH3, LEL - rechargeable batteries, datalogging	54-53-A01218000ND
O2, CO, NH3, LEL - rechargeable batteries, datalogging, vibrating alarm	54-53-A01218000NW
O2, CO, HCN, PID - rechargeable batteries, datalogging, vibrating alarm	54-53-A01235200NW
O2, CO, HCN, PID, LEL - alkaline batteries, datalogging, vibrating alarm	54-53-A01235280AW
O2, CO, HCN, PID, LEL - rechargeable batteries, datalogging	54-53-A01235280ND
O2, CO, HCN, LEL - alkaline batteries	54-53-A01238000A
O2, CO, HCN, LEL - rechargeable batteries, datalogging	54-53-A01238000ND
O2, CO, HCN, LEL - rechargeable batteries, datalogging, vibrating alarm	54-53-A01238000NW
O2, H2S, IR-CO2, LEL - rechargeable batteries	54-53-A02005080N
O2, H2S, IR-CH4 - rechargeable batteries, datalogging, vibrating alarm	54-53-A02005100NW
O2, H2S, PID, LEL - rechargeable batteries	54-53-A02005280N
O2, H2S, PID, LEL - rechargeable batteries, datalogging, vibrating alarm	54-53-A02005280NW
O2, H2S, LEL - rechargeable batteries	54-53-A02008000N
O2, H2S, SO2, NO2, HCN - rechargeable batteries, datalogging, vibrating alarm	54-53-A02030923NW
O2, H2S, SO2, CO-H, LEL - rechargeable batteries	54-53-A02031980N
O2, H2S, SO2, CO-H, LEL - rechargeable batteries, datalogging, vibrating alarm	54-53-A02031980NW
O2, H2S, SO2, NH3, PID - rechargeable batteries, datalogging, vibrating alarm	54-53-A02032152NW
O2, H2S, SO2, NH3, LEL - rechargeable batteries, datalogging	54-53-A02032180ND
O2, H2S, SO2, NH3, LEL - rechargeable batteries, datalogging, vibrating alarm	54-53-A02032180NW
O2, H2S, SO2, IR-CH4 - rechargeable batteries, datalogging, vibrating alarm	54-53-A02035100NW
O2, H2S, SO2, PID, LEL - rechargeable batteries, datalogging, vibrating alarm	54-53-A02035280NW
O2, H2S, SO2, LEL - rechargeable batteries	54-53-A02038000N
O2, H2S, NO, IR-CO2, LEL - rechargeable batteries, datalogging, vibrating alarm	54-53-A02065080NW
O2, H2S, NO2, CO-H, LEL - rechargeable batteries, datalogging, vibrating alarm	54-53-A02091980NW
O2, H2S, NO2, PID, LEL - rechargeable batteries, datalogging	54-53-A02095280ND
O2, H2S, HCN, LEL - rechargeable batteries, datalogging, vibrating alarm	54-53-A02108000NW

Note: PhD6 rechargeable products manufactured after January 1, 2017 no longer comply with California and Oregon CEC,400,2012,FS,002 regulation related to battery charging systems. As a result the rechargeable configurations of PhD6 detectors cannot be sold or shipped to the states of Oregon and California. Please contact your local Honeywell Analytics Office to know the availability of products manufactured prior to December, 31, 2016 that could still be shipped to the states of California and Oregon or to identify alternative products.

PhD6 Multi-Gas Detector	Order Number
O2, H2S, Cl2, CO-H, LEL - rechargeable batteries, datalogging, vibrating alarm	54-53-A02181980NW
O2, H2S, Cl2, LEL - rechargeable batteries	54-53-A02188000N
O2, H2S, Cl2, LEL - rechargeable batteries, datalogging, vibrating alarm	54-53-A02188000NW
O2, H2S, CO-H, NH3, LEL - rechargeable batteries, datalogging	54-53-A02192180ND
O2, H2S, CO-H, NH3, LEL - rechargeable batteries, datalogging, vibrating alarm	54-53-A02192180NW
O2, H2S, CO-H, IR-CO2, LEL - rechargeable batteries	54-53-A02195080N
O2, H2S, CO-H, IR-CO2, LEL - rechargeable batteries, datalogging, vibrating alarm	54-53-A02195080NW
O2, H2S, CO-H, PID, LEL - rechargeable batteries	54-53-A02195280N
O2, H2S, CO-H, PID, LEL - rechargeable batteries, datalogging	54-53-A02195280ND
O2, H2S, CO-H, PID, LEL - rechargeable batteries, datalogging, vibrating alarm	54-53-A02195280NW
O2, H2S, CO-H, PID, LEL - rechargeable batteries, vibrating alarm	54-53-A02195280NY
O2, H2S, CO-H, LEL - alkaline batteries	54-53-A02198000A
O2, H2S, CO-H, LEL - rechargeable batteries	54-53-A02198000N
O2, H2S, CO-H, LEL - rechargeable batteries, datalogging	54-53-A02198000ND
O2, H2S, CO-H, LEL - rechargeable batteries, datalogging, vibrating alarm	54-53-A02198000NW
O2, H2S, CO-H, LEL - rechargeable batteries, vibrating alarm	54-53-A02198000NY
O2, H2S, NH3 - rechargeable batteries, datalogging, vibrating alarm	54-53-A02210000NW
O2, H2S, NH3, IR-CO2, LEL - rechargeable batteries	54-53-A02215080N
O2, H2S, NH3, LEL - alkaline batteries	54-53-A02218000A
O2, H2S, NH3, LEL - alkaline batteries, datalogging, vibrating alarm	54-53-A02218000AW
O2, H2S, NH3, LEL - rechargeable batteries	54-53-A02218000N
O2, H2S, NH3, LEL - rechargeable batteries, datalogging	54-53-A02218000ND
O2, SO2 - alkaline batteries, vibrating alarm	54-53-A0300000AY
O2, SO2, IR-CO2, LEL - rechargeable batteries, datalogging	54-53-A03005080ND
O2, SO2, IR-CO2, LEL - rechargeable batteries, vibrating alarm	54-53-A03005080NY
O2, SO2, LEL - alkaline batteries	54-53-A03008000A
O2, SO2, LEL - rechargeable batteries, datalogging, vibrating alarm	54-53-A03008000NW
O2, SO2, LEL - rechargeable batteries, vibrating alarm	54-53-A03008000NY
O2, SO2, NO, NO2, CO-H - rechargeable batteries, datalogging, vibrating alarm	54-53-A03060919NW
O2, SO2, NO2, IR-CH4, PID - rechargeable batteries, datalogging, vibrating alarm	54-53-A03095152NW
O2, SO2, NO2, PID, LEL - rechargeable batteries, datalogging, vibrating alarm	54-53-A03095280NW
O2, SO2, Duo-Tox (H2S/CO), NO, IR-CO2 - rechargeable batteries, datalogging, vibrating alarm	54-53-A03140650NW
O2, SO2, Duo-Tox (H2S/CO), NO, PID - rechargeable batteries, datalogging, vibrating alarm	54-53-A03140652NW
O2, SO2, Duo-Tox (H2S/CO), NO, LEL - rechargeable batteries, datalogging	54-53-A03140680ND
O2, SO2, Duo-Tox (H2S/CO), NO, LEL - rechargeable batteries, datalogging, vibrating alarm	54-53-A03140680NW
O2, SO2, H2S, CO, NO2 - alkaline batteries	54-53-A03140900A
O2, SO2, H2S, CO, NO2 - rechargeable batteries	54-53-A03140900N
O2, SO2, Duo-Tox (H2S/CO), NO2, LEL - rechargeable batteries	54-53-A03140980N
O2, SO2, Duo-Tox (H2S/CO), NO2, LEL - rechargeable batteries, datalogging	54-53-A03140980ND
O2, SO2, Duo-Tox (H2S/CO), NO2, LEL - rechargeable batteries, datalogging, vibrating alarm	54-53-A03140980NW
O2, SO2, Duo-Tox (H2S/CO), NO2, LEL - rechargeable batteries, vibrating alarm	54-53-A03140980NY
O2, SO2, Duo-Tox (H2S/CO), CO-H, LEL - rechargeable batteries	54-53-A03141980N
O2, SO2, Duo-Tox (H2S/CO), CO-H, LEL - rechargeable batteries, datalogging, vibrating alarm	54-53-A03141980NW
O2, SO2, Duo-Tox (H2S/CO), NH3 - rechargeable batteries, datalogging, vibrating alarm	54-53-A03142100NW
O2, SO2, Duo-Tox (H2S/CO), NH3, IR-CH4 - rechargeable batteries, datalogging	54-53-A03142151ND
O2, SO2, Duo-Tox (H2S/CO), NH3, LEL - alkaline batteries	54-53-A03142180A
O2, SO2, Duo-Tox (H2S/CO), NH3, LEL - alkaline batteries, datalogging	54-53-A03142180AD
O2, SO2, Duo-Tox (H2S/CO), NH3, LEL - alkaline batteries, datalogging, vibrating alarm	54-53-A03142180AW
O2, SO2, Duo-Tox (H2S/CO), NH3, LEL - rechargeable batteries	54-53-A03142180N
O2, SO2, Duo-Tox (H2S/CO), NH3, LEL - rechargeable batteries, datalogging	54-53-A03142180ND
O2, SO2, Duo-Tox (H2S/CO), NH3, LEL - rechargeable batteries, datalogging, vibrating alarm	54-53-A03142180NW
O2, SO2, Duo-Tox (H2S/CO), NH3, LEL - rechargeable batteries, vibrating alarm	54-53-A03142180NY
O2, SO2, Duo-Tox (H2S/CO), HCN, LEL - alkaline batteries	54-53-A03142380A
O2, SO2, Duo-Tox (H2S/CO), HCN, LEL - rechargeable batteries, datalogging, vibrating alarm	54-53-A03142380NW
O2, SO2, Duo-Tox (CO/H2S), IR-CO2, LEL - rechargeable batteries, datalogging, vibrating alarm	54-53-A03145080NW
O2, SO2, Duo-Tox (CO/H2S), IR-CH4, PID - rechargeable batteries, datalogging, vibrating alarm	54-53-A03145152NW
O2, SO2, Duo-Tox (H2S/CO), PID, LEL - alkaline batteries	54-53-A03145280A
O2, SO2, Duo-Tox (H2S/CO), PID, LEL - alkaline batteries, datalogging, vibrating alarm	54-53-A03145280AW
O2, SO2, Duo-Tox (H2S/CO), PID, LEL - rechargeable batteries	54-53-A03145280N

Note: PhD6 rechargeable products manufactured after January 1, 2017 no longer comply with California and Oregon CEC,400,2012,FS,002 regulation related to battery charging systems. As a result the rechargeable configurations of PhD6 detectors cannot be sold or shipped to the states of Oregon and California. Please contact your local Honeywell Analytics Office to know the availability of products manufactured prior to December, 31, 2016 that could still be shipped to the states of California and Oregon or to identify alternative products.

Full Product Index (continued)

PhD6 Multi-Gas Detector	Order Number
02, SO2, Duo-Tox (H2S/CO), PID, LEL - rechargeable batteries, datalogging	54-53-A03145280ND
02, SO2, Duo-Tox (H2S/CO), PID, LEL - rechargeable batteries, datalogging, vibrating alarm	54-53-A03145280NW
02, SO2, Duo-Tox (H2S/CO), PID, LEL - rechargeable batteries, vibrating alarm	54-53-A03145280NY
02, SO2, Duo-Tox (H2S/CO), LEL - alkaline batteries	54-53-A03148000A
02, SO2, Duo-Tox (H2S/CO), LEL - alkaline batteries, datalogging, vibrating alarm	54-53-A03148000AW
02, SO2, Duo-Tox (H2S/CO), LEL - alkaline batteries, vibrating alarm	54-53-A03148000AY
02, SO2, Duo-Tox (H2S/CO), LEL - rechargeable batteries	54-53-A03148000N
02, SO2, Duo-Tox (H2S/CO), LEL - rechargeable batteries, datalogging	54-53-A03148000ND
02, SO2, Duo-Tox (H2S/CO), LEL - rechargeable batteries, datalogging, vibrating alarm	54-53-A03148000NW
02, SO2, Duo-Tox (H2S/CO), LEL - rechargeable batteries, vibrating alarm	54-53-A03148000NY
02, SO2, Cl2, NO2, NH3 - rechargeable batteries, datalogging, vibrating alarm	54-53-A03180921NW
02, SO2, Cl2, CO-H, LEL - rechargeable batteries, datalogging, vibrating alarm	54-53-A03181980NW
02, SO2, Cl2, HCN, LEL - rechargeable batteries, datalogging, vibrating alarm	54-53-A03182380NW
02, SO2, Cl2, IR-CO2, LEL - alkaline batteries, datalogging, vibrating alarm	54-53-A03185080AW
02, SO2, Cl2, IR-CO2, LEL - rechargeable batteries, datalogging, vibrating alarm	54-53-A03185080NW
02, SO2, Cl2, PID, LEL - rechargeable batteries, datalogging, vibrating alarm	54-53-A03185280NW
02, SO2, Cl2, LEL - rechargeable batteries	54-53-A03188000N
02, SO2, CO-H, NH3, LEL - rechargeable batteries, datalogging, vibrating alarm	54-53-A03192180NW
02, SO2, NH3, LEL - rechargeable batteries	54-53-A03218000N
02, NO, NO2, NH3, PID - rechargeable batteries, datalogging, vibrating alarm	54-53-A06092152NW
02, NO, NO2, IR-CO2, LEL - rechargeable batteries, datalogging, vibrating alarm	54-53-A06095080NW
02, NO, NO2, LEL - rechargeable batteries, vibrating alarm	54-53-A06098000NY
02, NO, Duo-Tox (H2S/CO), NO2, LEL - rechargeable batteries, datalogging	54-53-A06140980ND
02, NO, Duo-Tox (CO/H2S), IR-CO2, PID - rechargeable batteries, datalogging, vibrating alarm	54-53-A06145052NW
02, NO, Duo-Tox (CO/H2S), IR-CO2, LEL - rechargeable batteries, datalogging, vibrating alarm	54-53-A06145080NW
02, NO, Duo-Tox (H2S/CO), LEL - rechargeable batteries	54-53-A06148000N
02, NO, Duo-Tox (H2S/CO), LEL - rechargeable batteries, datalogging	54-53-A06148000ND
02, NO, Duo-Tox (H2S/CO), LEL - rechargeable batteries, datalogging, vibrating alarm	54-53-A06148000NW
02, NO2, H2S, CO, NH3, LEL - rechargeable batteries, datalogging	54-53-A09142180ND
02, NO2, Duo-Tox (CO/H2S), IR-CO2, LEL - rechargeable batteries, datalogging, vibrating alarm	54-53-A09145080NW
02, NO2, Duo-Tox (CO/H2S), IR-CH4, LEL - rechargeable batteries, datalogging, vibrating alarm	54-53-A09145180NW
02, NO2, Duo-Tox (H2S/CO), PID, LEL - rechargeable batteries	54-53-A09145280N
02, NO2, Duo-Tox (H2S/CO), PID, LEL - rechargeable batteries, datalogging, vibrating alarm	54-53-A09145280NW
02, NO2, Duo-Tox (H2S/CO), LEL - rechargeable batteries	54-53-A09148000N
02, NO2, Duo-Tox (H2S/CO), LEL - rechargeable batteries, datalogging	54-53-A09148000ND
02, NO2, Duo-Tox (H2S/CO), LEL - rechargeable batteries, datalogging, vibrating alarm	54-53-A09148000NW
02, NO2, Cl2, NH3, LEL - rechargeable batteries	54-53-A09182180N
02, NO2, Cl2, NH3, LEL - rechargeable batteries, datalogging, vibrating alarm	54-53-A09182180NW
02, NO2, CO-H, PID, LEL - rechargeable batteries	54-53-A09195280N
02, HCN, LEL - rechargeable batteries	54-53-A10008000N
02, HCN, Duo-Tox (H2S/CO), PID, LEL - alkaline batteries, datalogging	54-53-A10145280AD
02, HCN, Duo-Tox (H2S/CO), PID, LEL - rechargeable batteries, datalogging, vibrating alarm	54-53-A10145280NW
02, HCN, Duo-Tox (H2S/CO), PID, LEL - rechargeable batteries, vibrating alarm	54-53-A10145280NY
02, HCN, Duo-Tox (H2S/CO), LEL - rechargeable batteries	54-53-A10148000N
02, HCN, Duo-Tox (H2S/CO), LEL - rechargeable batteries, datalogging, vibrating alarm	54-53-A10148000NW
02, PH3 - rechargeable batteries, datalogging	54-53-A13000000ND
02, PH3, PID - rechargeable batteries, datalogging, vibrating alarm	54-53-A13005200NW
02, PH3, PID, LEL - alkaline batteries	54-53-A13005280A
02, PH3, LEL - alkaline batteries	54-53-A13008000A
02, PH3, LEL - rechargeable batteries	54-53-A13008000N
02, PH3, LEL - rechargeable batteries, datalogging	54-53-A13008000ND
02, PH3, Duo-Tox (H2S/CO) - rechargeable batteries, datalogging, vibrating alarm	54-53-A13140000NW
02, PH3, Duo-Tox (H2S/CO), PID, LEL - rechargeable batteries, datalogging, vibrating alarm	54-53-A13145280NW
02, PH3, Duo-Tox (H2S/CO), LEL - alkaline batteries	54-53-A13148000A
02, PH3, Duo-Tox (H2S/CO), LEL - alkaline batteries, datalogging	54-53-A13148000AD
02, PH3, Duo-Tox (H2S/CO), LEL - alkaline batteries, datalogging, vibrating alarm	54-53-A13148000AW
02, PH3, Duo-Tox (H2S/CO), LEL - rechargeable batteries	54-53-A13148000N
02, PH3, Duo-Tox (H2S/CO), LEL - rechargeable batteries, datalogging	54-53-A13148000ND
02, PH3, Duo-Tox (H2S/CO), LEL - rechargeable batteries, datalogging, vibrating alarm	54-53-A13148000NW

Note: PhD6 rechargeable products manufactured after January 1, 2017 no longer comply with California and Oregon CEC,400,2012,FS,002 regulation related to battery charging systems. As a result the rechargeable configurations of PhD6 detectors cannot be sold or shipped to the states of Oregon and California. Please contact your local Honeywell Analytics Office to know the availability of products manufactured prior to December, 31, 2016 that could still be shipped to the states of California and Oregon or to identify alternative products.

PhD6 Multi-Gas Detector	Order Number
O2, PH3, NH3, HCN, IR-CO2 - rechargeable batteries, datalogging, vibrating alarm	54-53-A13212350NW
O2, PH3, NH3, LEL - alkaline batteries	54-53-A13218000A
O2, Duo-Tox (H2S/CO), IR-CO2, PID - alkaline batteries	54-53-A14005052A
O2, Duo-Tox (H2S/CO), IR-CO2, PID - rechargeable batteries, datalogging	54-53-A14005052ND
O2, Duo-Tox (H2S/CO), IR-CO2, LEL - alkaline batteries	54-53-A14005080A
O2, Duo-Tox (CO/H2S), IR-CO2, LEL - alkaline batteries, datalogging, vibrating alarm	54-53-A14005080AW
O2, Duo-Tox (H2S/CO), IR-CO2, LEL - rechargeable batteries	54-53-A14005080N
O2, Duo-Tox (CO/H2S), IR-CO2, LEL - rechargeable batteries, datalogging, vibrating alarm	54-53-A14005080NW
O2, Duo-Tox (H2S/CO), IR-CH4 - rechargeable batteries, datalogging	54-53-A14005100ND
O2, Duo-Tox (CO/H2S), IR-CH4 - rechargeable batteries, datalogging, vibrating alarm	54-53-A14005100NW
O2, Duo-Tox (H2S/CO), IR-CH4 - rechargeable batteries, vibrating alarm	54-53-A14005100NY
O2, Duo-Tox (CO/H2S), IR-CH4, PID - rechargeable batteries, datalogging, vibrating alarm	54-53-A14005152NW
O2, Duo-Tox (H2S/CO), IR-CH4, LEL - rechargeable batteries	54-53-A14005180N
O2, Duo-Tox (CO/H2S), IR-CH4, LEL - rechargeable batteries, datalogging, vibrating alarm	54-53-A14005180NW
O2, Duo-Tox (H2S/CO), PID, LEL - alkaline batteries	54-53-A14005280A
O2, Duo-Tox (H2S/CO), PID, LEL - alkaline batteries, datalogging	54-53-A14005280AD
O2, Duo-Tox (H2S/CO), PID, LEL - alkaline batteries, datalogging, vibrating alarm	54-53-A14005280AW
O2, Duo-Tox (H2S/CO), PID, LEL - rechargeable batteries	54-53-A14005280N
O2, Duo-Tox (H2S/CO), PID, LEL - rechargeable batteries, datalogging	54-53-A14005280ND
O2, Duo-Tox (H2S/CO), PID, LEL - rechargeable batteries, datalogging, vibrating alarm	54-53-A14005280NW
O2, Duo-Tox (H2S/CO), PID, LEL - rechargeable batteries, vibrating alarm	54-53-A14005280NY
O2, Duo-Tox (H2S/CO), LEL - alkaline batteries	54-53-A14008000A
O2, Duo-Tox (H2S/CO), LEL - alkaline batteries, datalogging	54-53-A14008000AD
O2, Duo-Tox (H2S/CO), LEL - alkaline batteries, datalogging, vibrating alarm	54-53-A14008000AW
O2, Duo-Tox (H2S/CO), LEL - rechargeable batteries	54-53-A14008000N
O2, Duo-Tox (H2S/CO), LEL - rechargeable batteries, datalogging	54-53-A14008000ND
O2, Duo-Tox (H2S/CO), LEL - rechargeable batteries, datalogging, US Navy Kit	54-53-A14008000ND7
O2, Duo-Tox (H2S/CO), LEL - rechargeable batteries, datalogging, vibrating alarm	54-53-A14008000NW
O2, Duo-Tox (H2S/CO), LEL - rechargeable batteries, vibrating alarm	54-53-A14008000NY
O2, Duo-Tox (H2S/CO), Cl2, SO2, LEL - alkaline batteries, datalogging	54-53-A14180380AD
O2, Duo-Tox (H2S/CO), Cl2, SO2, LEL - alkaline batteries, datalogging, vibrating alarm	54-53-A14180380AW
O2, Duo-Tox (H2S/CO), Cl2, SO2, LEL - rechargeable batteries	54-53-A14180380N
O2, Duo-Tox (H2S/CO), Cl2, SO2, LEL - rechargeable batteries, datalogging, vibrating alarm	54-53-A14180380NW
O2, Duo-Tox (H2S/CO), Cl2, NH3, LEL - alkaline batteries	54-53-A14182180A
O2, Duo-Tox (H2S/CO), Cl2, NH3, LEL - rechargeable batteries	54-53-A14182180N
O2, Duo-Tox (H2S/CO), Cl2, NH3, LEL - rechargeable batteries, datalogging	54-53-A14182180ND
O2, Duo-Tox (H2S/CO), Cl2, NH3, LEL - rechargeable batteries, datalogging, vibrating alarm	54-53-A14182180NW
O2, Duo-Tox (H2S/CO), Cl2, NH3, LEL - rechargeable batteries, vibrating alarm	54-53-A14182180NY
O2, Duo-Tox (CO/H2S), Cl2, IR-CH4, PID - rechargeable batteries, datalogging, vibrating alarm	54-53-A14185152NW
O2, Duo-Tox (H2S/CO), Cl2, PID, LEL - rechargeable batteries	54-53-A14185280N
O2, Duo-Tox (H2S/CO), Cl2, PID, LEL - rechargeable batteries, datalogging, vibrating alarm	54-53-A14185280NW
O2, Duo-Tox (H2S/CO), Cl2, LEL - rechargeable batteries	54-53-A14188000N
O2, Duo-Tox (H2S/CO), Cl2, LEL - rechargeable batteries, datalogging	54-53-A14188000ND
O2, Duo-Tox (H2S/CO), Cl2, LEL - rechargeable batteries, datalogging, vibrating alarm	54-53-A14188000NW
O2, Duo-Tox (H2S/CO), Cl2, LEL - rechargeable batteries, vibrating alarm	54-53-A14188000NY
O2, Duo-Tox (H2S/CO), ClO2, SO2, LEL - rechargeable batteries	54-53-A14200380N
O2, Duo-Tox (H2S/CO), ClO2, SO2, LEL - rechargeable batteries, datalogging	54-53-A14200380ND
O2, Duo-Tox (H2S/CO), ClO2, PID, LEL - rechargeable batteries	54-53-A14205280N
O2, Duo-Tox (H2S/CO), ClO2, PID, LEL - rechargeable batteries, vibrating alarm	54-53-A14205280NY
O2, Duo-Tox (H2S/CO), ClO2, LEL - rechargeable batteries	54-53-A14208000N
O2, Duo-Tox (H2S/CO), ClO2, LEL - rechargeable batteries, datalogging	54-53-A14208000ND
O2, Duo-Tox (H2S/CO), NH3, HCN, LEL - rechargeable batteries, datalogging, vibrating alarm	54-53-A14212380NW
O2, Duo-Tox (H2S/CO), NH3, IR-CO2, LEL - rechargeable batteries	54-53-A14215080N
O2, Duo-Tox (H2S/CO), NH3, IR-CO2, LEL - rechargeable batteries, datalogging	54-53-A14215080ND
O2, Duo-Tox (CO/H2S), NH3, IR-CO2, LEL - rechargeable batteries, datalogging, vibrating alarm	54-53-A14215080NW
O2, Duo-Tox (CO/H2S), NH3, IR-CH4, PID - rechargeable batteries, datalogging, vibrating alarm	54-53-A14215152NW
O2, Duo-Tox (CO/H2S), NH3, IR-CH4, LEL - rechargeable batteries, datalogging, vibrating alarm	54-53-A14215180NW
O2, Duo-Tox (H2S/CO), NH3, PID, LEL - alkaline batteries, datalogging, vibrating alarm	54-53-A14215280AW

Note: PhD6 rechargeable products manufactured after January 1, 2017 no longer comply with California and Oregon CEC,400,2012,FS,002 regulation related to battery charging systems. As a result the rechargeable configurations of PhD6 detectors cannot be sold or shipped to the states of Oregon and California. Please contact your local Honeywell Analytics Office to know the availability of products manufactured prior to December, 31, 2016 that could still be shipped to the states of California and Oregon or to identify alternative products.

Full Product Index (continued)

PhD6 Multi-Gas Detector	Order Number
O2, Duo-Tox (H2S/CO), NH3, PID, LEL - rechargeable batteries	54-53-A14215280N
O2, Duo-Tox (H2S/CO), NH3, PID, LEL - rechargeable batteries, datalogging, vibrating alarm	54-53-A14215280NW
O2, Duo-Tox (H2S/CO), NH3, LEL - alkaline batteries	54-53-A14218000A
O2, Duo-Tox (H2S/CO), NH3, LEL - alkaline batteries, datalogging, vibrating alarm	54-53-A14218000AW
O2, Duo-Tox (H2S/CO), NH3, LEL - rechargeable batteries	54-53-A14218000N
O2, Duo-Tox (H2S/CO), NH3, LEL - rechargeable batteries, datalogging	54-53-A14218000ND
O2, Duo-Tox (H2S/CO), NH3, LEL - rechargeable batteries, datalogging, vibrating alarm	54-53-A14218000NW
O2, Duo-Tox (H2S/CO), NH3, LEL - rechargeable batteries, vibrating alarm	54-53-A14218000NY
O2, Duo-Tox (CO/H2S), HCN, IR-CO2, LEL - rechargeable batteries, datalogging, vibrating alarm	54-53-A14235080NW
O2, Duo-Tox (H2S/CO), HCN, PID, LEL - alkaline batteries	54-53-A14235280A
O2, Duo-Tox (H2S/CO), HCN, PID, LEL - rechargeable batteries	54-53-A14235280N
O2, Duo-Tox (H2S/CO), HCN, LEL - alkaline batteries	54-53-A14238000A
O2, Duo-Tox (H2S/CO), HCN, LEL - rechargeable batteries	54-53-A14238000N
O2, Duo-Tox (H2S/CO), HCN, LEL - rechargeable batteries, datalogging, vibrating alarm	54-53-A14238000NW
O2, Cl2 - alkaline batteries	54-53-A18000000A
O2, Cl2 - rechargeable batteries	54-53-A18000000N
O2, Cl2 - rechargeable batteries, vibrating alarm	54-53-A18000000NY
O2, Cl2, PID - rechargeable batteries, datalogging, vibrating alarm	54-53-A18005200NW
O2, Cl2, LEL - rechargeable batteries	54-53-A18008000N
O2, Cl2, LEL - rechargeable batteries, datalogging, vibrating alarm	54-53-A18008000NW
O2, Cl2, ClO2, NH3, LEL - rechargeable batteries	54-53-A18202180N
O2, Cl2, NH3, PID, LEL - rechargeable batteries	54-53-A18215280N
O2, Cl2, NH3, PID, LEL - rechargeable batteries, datalogging, vibrating alarm	54-53-A18215280NW
O2, Cl2, NH3, LEL - alkaline batteries	54-53-A18218000A
O2, Cl2, NH3, LEL - rechargeable batteries	54-53-A18218000N
O2, Cl2, NH3, LEL - rechargeable batteries, datalogging, vibrating alarm	54-53-A18218000NW
O2, Cl2, NH3, LEL - rechargeable batteries, vibrating alarm	54-53-A18218000NY
O2, Cl2, HCN, PID - rechargeable batteries, datalogging	54-53-A18235200ND
O2, CO-H, PID, LEL - rechargeable batteries, datalogging	54-53-A19005280ND
O2, CO-H, LEL - rechargeable batteries	54-53-A19008000N
O2, CO-H, LEL - rechargeable batteries, datalogging	54-53-A19008000ND
O2, ClO2 - rechargeable batteries	54-53-A20000000N
O2, ClO2 - rechargeable batteries, vibrating alarm	54-53-A20000000NY
O2, NH3 - rechargeable batteries, datalogging	54-53-A21000000ND
O2, NH3, IR-CO2 - rechargeable batteries, datalogging	54-53-A21005000ND
O2, NH3, LEL - rechargeable batteries	54-53-A21008000N
O2, NH3, LEL - rechargeable batteries, vibrating alarm	54-53-A21008000NY
O2, NH3, HCN, LEL - rechargeable batteries, datalogging, vibrating alarm	54-53-A21238000NW
No sensors - rechargeable batteries, datalogging, vibrating alarm	54-53-B00000000NW
IR-CO2 - alkaline batteries	54-53-B00005000A
IR-CO2 - alkaline batteries, datalogging	54-53-B00005000AD
IR-CO2 - rechargeable batteries	54-53-B00005000N
IR-CO2 - rechargeable batteries, datalogging	54-53-B00005000ND
IR-CO2 - rechargeable batteries, datalogging, vibrating alarm	54-53-B00005000NW
IR-CO2, PID - rechargeable batteries	54-53-B00005052N
PID - alkaline batteries	54-53-B00005200A
PID - alkaline batteries, datalogging, vibrating alarm	54-53-B00005200AW
PID - rechargeable batteries	54-53-B00005200N
PID - rechargeable batteries, datalogging	54-53-B00005200ND
PID - rechargeable batteries, datalogging, vibrating alarm	54-53-B00005200NW
PID - rechargeable batteries, vibrating alarm	54-53-B00005200NY
PID, LEL - alkaline batteries	54-53-B00005280A
PID, LEL - alkaline batteries, vibrating alarm	54-53-B00005280AY
LEL - alkaline batteries	54-53-B00008000A
CO - alkaline batteries	54-53-B01000000A
CO - rechargeable batteries	54-53-B01000000N
CO, IR-CO2, PID - rechargeable batteries	54-53-B01005052N
CO, IR-CO2, PID - rechargeable batteries, datalogging	54-53-B01005052ND
CO, IR-CO2, PID - rechargeable batteries, datalogging, vibrating alarm	54-53-B01005052NW
CO, H2S, SO2 - rechargeable batteries, datalogging, vibrating alarm	54-53-B01020300NW

Note: PhD6 rechargeable products manufactured after January 1, 2017 no longer comply with California and Oregon CEC,400,2012,FS,002 regulation related to battery charging systems. As a result the rechargeable configurations of PhD6 detectors cannot be sold or shipped to the states of Oregon and California. Please contact your local Honeywell Analytics Office to know the availability of products manufactured prior to December, 31, 2016 that could still be shipped to the states of California and Oregon or to identify alternative products.

PhD6 Multi-Gas Detector	Order Number
CO, H2S, NH3 - rechargeable batteries	54-53-B01022100N
CO, SO2 - rechargeable batteries, datalogging, vibrating alarm	54-53-B01030000NW
CO, SO2, NO2, PID - rechargeable batteries, datalogging, vibrating alarm	54-53-B01030952NW
CO, NO2 - rechargeable batteries	54-53-B01090000N
CO, NO2, IR-CO2 - rechargeable batteries, datalogging, vibrating alarm	54-53-B01095000NW
CO, NO2, IR-CO2, LEL - rechargeable batteries, datalogging, vibrating alarm	54-53-B01095080NW
CO, PH3, NH3, LEL - rechargeable batteries	54-53-B01132180N
CO, NH3, IR-CO2 - rechargeable batteries, datalogging, vibrating alarm	54-53-B01215000NW
CO, HCN - alkaline batteries	54-53-B01230000A
CO, HCN - rechargeable batteries	54-53-B01230000N
CO, HCN - rechargeable batteries, datalogging	54-53-B01230000ND
CO, HCN - rechargeable batteries, datalogging, vibrating alarm	54-53-B01230000NW
H2S, IR-CO2 - rechargeable batteries	54-53-B02005000N
H2S, IR-CO2, PID - rechargeable batteries, datalogging, vibrating alarm	54-53-B02005052NW
H2S, IR-CO2, LEL - rechargeable batteries, datalogging, vibrating alarm	54-53-B02005080NW
H2S, SO2, PH3, PID - alkaline batteries	54-53-B02031352A
H2S, SO2, PH3, PID - alkaline batteries, datalogging, vibrating alarm	54-53-B02031352AW
H2S, Cl2, SO2, NH3 - rechargeable batteries, datalogging	54-53-B02180321ND
H2S, NH3 - alkaline batteries, datalogging, vibrating alarm	54-53-B02210000AW
SO2 - rechargeable batteries	54-53-B03000000N
SO2, HCN, NH3, PID - rechargeable batteries, datalogging	54-53-B03102152ND
SO2, Duo-Tox (H2S/CO), NO2, NH3 - rechargeable batteries, datalogging	54-53-B03140921ND
SO2, Duo-Tox (H2S/CO), NO2, PID - rechargeable batteries	54-53-B03140952N
SO2, Duo-Tox (H2S/CO), LEL - rechargeable batteries, datalogging, vibrating alarm	54-53-B03148000NW
SO2, Cl2 - rechargeable batteries	54-53-B03180000N
SO2, Cl2, NH3 - rechargeable batteries, vibrating alarm	54-53-B03182100NY
SO2, NH3 - rechargeable batteries, datalogging, vibrating alarm	54-53-B03210000NW
SO2, NH3 - rechargeable batteries, vibrating alarm	54-53-B03210000NY
NO, NO2 - rechargeable batteries, datalogging, vibrating alarm	54-53-B06090000NW
NO, Duo-Tox (CO/H2S), NO2, IR-CO2 - rechargeable batteries, datalogging, vibrating alarm	54-53-B06140950NW
NO2, Duo-Tox (CO/H2S), IR-CO2, LEL - rechargeable batteries, datalogging, vibrating alarm	54-53-B09145080NW
NO2, NH3, HCN - rechargeable batteries, datalogging, vibrating alarm	54-53-B09212300NW
PH3, PID - rechargeable batteries, datalogging, vibrating alarm	54-53-B13005200NW
PH3, NH3, HCN, IR-CO2 - rechargeable batteries, datalogging, vibrating alarm	54-53-B13212350NW
Duo-Tox (H2S/CO), NH3, PID - rechargeable batteries, datalogging, vibrating alarm	54-53-B14215200NW
Duo-Tox (H2S/CO), NH3, LEL - rechargeable batteries, datalogging, vibrating alarm	54-53-B14218000NW
Cl2 - rechargeable batteries	54-53-B18000000N
Cl2, NH3 - rechargeable batteries	54-53-B18210000N
Cl2, NH3, PID - rechargeable batteries	54-53-B18215200N
Cl2, NH3, PID - rechargeable batteries, datalogging	54-53-B18215200ND
Cl2, HCN - alkaline batteries	54-53-B18230000A
NH3, PID - alkaline batteries, datalogging	54-53-B21005200AD
NH3, PID, LEL - rechargeable batteries, datalogging, vibrating alarm	54-53-B21005280NW

Note: PhD6 rechargeable products manufactured after January 1, 2017 no longer comply with California and Oregon CEC,400,2012,FS,002 regulation related to battery charging systems. As a result the rechargeable configurations of PhD6 detectors cannot be sold or shipped to the states of Oregon and California. Please contact your local Honeywell Analytics Office to know the availability of products manufactured prior to December, 31, 2016 that could still be shipped to the states of California and Oregon or to identify alternative products.

PhD6 Accessories	Order Number
PhD6 Case for Confined Space Kit (CSK) - Foam-lined, rugged, waterproof carrying case with room for one 58 L cylinder of calibration gas and a regulator. - Note: Detector, calibration gas and regulator sold separately.	16-154
PhD6 Case for Value Pack. Foam-lined case, with room for one 34 L cylinder of calibration gas and a regulator. - Note: Detector, calibration gas and regulator sold separately.	16-157
MultiPro Case for Confined Space Kit (CSK) - Foam lined, rugged, waterproof carrying case with room for one 58 L cylinder of calibration gas and a regulator - Note: Detector, calibration gas and regulator sold separately.	35-0817
Motorized sampling pump kit with sampling hose (10 ft. / 3 m, 3/16 in. I.D., 5/16 in. O.D.)	54-54-102
Motorized sampling pump kit with sampling hose (10 ft. / 3 m, 3/16 in. I.D., 5/16 in. O.D.), for use with reactive gases	54-54-102-C
Rechargeable battery charger	54-54-103-1
Vehicle charger (12 Vdc), includes cigarette lighter style adaptor and mounting hardware	54-54-103-12
Manual sample draw kit, includes probe, squeeze bulb, hose (10 ft. / 3 m, 3/16 in. I.D., 5/16 in. O.D.) and sample draw adaptor	54-54-105
Shoulder strap	54-54-109

Note: PhD6 rechargeable products manufactured after January 1, 2017 no longer comply with California and Oregon CEC,400,2012,FS,002 regulation related to battery charging systems. As a result the rechargeable configurations of PhD6 detectors cannot be sold or shipped to the states of Oregon and California. Please contact your local Honeywell Analytics Office to know the availability of products manufactured prior to December, 31, 2016 that could still be shipped to the states of California and Oregon or to identify alternative products.

Full Product Index (continued)

PhD6 Replacements, Spares & Service Parts	Order Number
Replacement test cap for PhD 6	54-54-104
Rechargeable battery pack	PHD6-RBAT-1
Alkaline battery pack	PHD6-ABAT-1
Insulator battery compartment (kit of 10)	PHD6-IBC-1
Replacement pump gaskets for PhD6 (kit of 10)	50113284-045
Replacement pump filter (kit of 10)	PHD6-PFIL-1
Sensor filter (kit of 10)	PHD6-SFILTER
Dummy sensor (kit of 5)	PHD6-DUMM
PID lamp cleaning kit	54-54-108
Replacement ammonia (NH3) sensor for PhD6	54-54-21
Replacement carbon monoxide (CO) sensor for PhD 6	54-54-01
Replacement carbon monoxide (CO-H, H2 resistant) sensor	54-54-19
Replacement carbon monoxide (CO-H, H2 resistant) sensor (SMART)	54-54-25
Replacement chlorine (Cl2) sensor for PhD 6	54-54-18
Replacement chlorine dioxide (ClO2) sensor	54-54-20
Replacement combustible (LEL) sensor for PhD 6	54-54-80C
Replacement Duo-Tox (CO / H2S) sensor for PhD 6	54-54-14
Replacement hydrogen cyanide (HCN) sensor for PhD 6 - Note: 1 year warranty.	54-54-23
Replacement hydrogen sulfide (H2S) sensor for PhD 6	54-54-02
Replacement IR carbon dioxide (IR-CO2) sensor	54-54-50
Replacement IR methane (IR-CH4) sensor	54-54-51
Replacement nitric oxide (NO) sensor	54-54-06
Replacement nitrogen dioxide (NO2) sensor for PhD 6	54-54-09
Replacement oxygen (O2) sensor for PhD 6	54-54-90
Replacement phosphine (PH3) sensor	54-54-13
Replacement PID lamp kit	54-54-116
Replacement sulfur dioxide (SO2) sensor for PhD 6	54-54-03
Replacement volatile organic compounds (VOC) PID sensor	54-54-52
Replacement back cover with screws for PhD 6	PHD6-BC-1
Replacement front cover for PhD 6	PHD6-FC-1
Replacement keypad kit	PHD6-KP-1
Replacement LCD kit	PHD6-LCD-1
Replacement Screw Kit (Enough for 4 units)	PHD6-SCREW-1
Replacement belt clip	PHD6-BCLIP-1
Sensor face gasket (IR or PID) (kit of 10)	PHD6-SFG-2
Sensor face gasket (non IR or PID) (kit of 10)	PHD6-SFG-1
Sensor front cover	PHD6-SFC-1
PCB Connector Kit	PHD6-PCBCONN-1
Replacement main PCB	PHD6-MPCB-1
Replacement sensor interface PCBA	PHD6-SPCB-1

Note: PhD6 rechargeable products manufactured after January 1, 2017 no longer comply with California and Oregon CEC,400,2012,FS,002 regulation related to battery charging systems. As a result the rechargeable configurations of PhD6 detectors cannot be sold or shipped to the states of Oregon and California. Please contact your local Honeywell Analytics Office to know the availability of products manufactured prior to December, 31, 2016 that could still be shipped to the states of California and Oregon or to identify alternative products.

Docking, Testing and Data Management

Honeywell IntelliDoX® Docking System	Order Number
Honeywell IntelliDoX® docking station for Honeywell BW Clip® Series	DX-CLIP
Honeywell IntelliDoX® docking station for Honeywell BW™ Solo	DX-SOLO
Honeywell IntelliDoX® docking station for Honeywell BW™ Clip4	DX-BWC4
Honeywell IntelliDoX® docking station for Honeywell BW™ MicroClip XT, XL or X3	DX-MCLP
Honeywell IntelliDoX® docking station for Honeywell BW™ Max XT II	DX-MAXXT
Honeywell IntelliDoX® docking station for Honeywell BW™ Ultra	DX-ULTRA
Honeywell IntelliDoX® enabler kit, NA version (North America)	DX-ENBL-NA
Honeywell IntelliDoX® enabler kit, EU version (Europe)	DX-ENBL-EU
Honeywell IntelliDoX® enabler kit, UK version (United Kingdom)	DX-ENBL-UK
Honeywell IntelliDoX® enabler kit, AU version (Australia)	DX-ENBL-AU

Note: One Honeywell IntelliDoX® enabler kit is required for each docking system. Each docking system can support up to 5 Honeywell IntelliDoX® modules.

Honeywell IntelliDoX® Docking Station Accessories	Order Number
Honeywell IntelliDoX® Mobile Case (Standard) supports 1 or 2 Honeywell IntelliDoX® units and two 34L cylinders. Honeywell IntelliDoX® and Enabler Kit sold separately.	DX-CASE
Honeywell IntelliDoX® Mobile Case (Large) supports 1 or 2 Honeywell IntelliDoX® units and two 58L cylinders. Honeywell IntelliDoX® and Enabler Kit sold separately.	DX-CASE1
Honeywell IntelliDoX® Single-Inlet Key	DX-SI-KEY
Honeywell IntelliDoX® Multi-Inlet Key	DX-MI-KEY
AC power supply for Honeywell IntelliDoX®, NA version (North America)	DX-PS-NA
AC power supply for Honeywell IntelliDoX®, EU version (Europe)	DX-PS-EU
AC power supply for Honeywell IntelliDoX®, UK version (United Kingdom)	DX-PS-UK
AC power supply for Honeywell IntelliDoX®, AU version (Australia)	DX-PS-AU
Honeywell IntelliDoX® vehicle power adaptor	DX-VPA

Honeywell IntelliDoX® Docking Station Replacements, Spares & Service Parts	Order Number
Honeywell IntelliDoX® Nest for Honeywell BW Clip® Series	DX-NEST-CLIP
Honeywell IntelliDoX® Nest for Honeywell BW™ Solo	DX-NEST-SOLO
Honeywell IntelliDoX® Nest for Honeywell BW™ Clip4	DX-NEST-BWC4
Honeywell IntelliDoX® Nest for Honeywell BW™ MicroClip XT, XL or X3	DX-NEST-MCLP
Honeywell IntelliDoX® Nest for Honeywell BW™ Max XT II	DX-NEST-MAXXT
Honeywell IntelliDoX® Nest for Honeywell BW™ Ultra	DX-NEST-ULTRA
Honeywell IntelliDoX® universal latch arm (kit of 5)	DX-ARM
Honeywell IntelliDoX® universal end plate (kit of 5)	DX-COVER
Honeywell IntelliDoX® filters and hoses kit	DX-FILTERS
Honeywell IntelliDoX® retractable stand/wall mount (kit of 5)	DX-STAND
Honeywell IntelliDoX® inlet filters (kit of 5)	DX-IF-5
Honeywell IntelliDoX® O-Rings (kit of 10)	DX-RINGS
Honeywell IntelliDoX® assorted screws	DX-SCREWS

IQ Docks	Order Number
IQ Express Docking Station, enhanced version (USB only)	54-46-9100
IQ Express Docking Station, enhanced version with Ethernet for networking	54-46-9100N
MultiPro IQ Express Docking Station	54-49-9000
MultiPro IQ Express Docking Station, with Ethernet for networking	54-49-9000N
IQ6 Docking Station 4-Ports with Ethernet for networking	54-54-9400N

IQ Docks Replacements, Spares & Service Parts	Order Number
Hose Kit for ToxiPro IQ Express Docking Station (1/8 in. I.D. converted to 3/16 in. I.D., 5/16 in. O.D.) (50111499-008)	TPDOCK-TUBE
Pump insert for MultiPro IQ Express Docking Station	35-0662
Replacement communication adaptor for IQ6 Docking Station	PHD6DOCK-COMM
IQ6 Dock Replacement Pump Gasket (Kit of 10) (50111499-012)	PHD6DOCK-PG-10
Tubing kit for IQ6 Docking Station (1/8 in. I.D. converted to 3/16 in. I.D., 5/16 in. O.D.)	PHD6DOCK-TUBE
Manifold, gas, IQ Express Docking Station	54-46-115
Manifold, supplied fresh air IQ Express Docking Station	54-46-116
IQ Docks - Replacement filter (kit of 10) (50111499-009)	DOCK-FIL-10
PCB assembly for IQ Express cradle	35-0658

Full Product Index (continued)

MicroDock II	Order Number
GasAlertMicro 5 Series MicroDock II module, charging with charging power supply (not compatible with ClO2 or O3)	DOCK2-0-1C1K-00-G
Honeywell BW™ MaxXT II MicroDock II module, charging with charging power supply	DOCK2-0-1C1M-00-G
GasAlertQuattro MicroDock II module, charging with charging power supply	DOCK2-0-1C1N-00-G
Honeywell BW™ MicroClip XL/XT MicroDock II module, charging with charging power supply	DOCK2-0-1C1P-00-G
GasAlert Extreme MicroDock II module (not compatible with ClO2 or O3)	DOCK2-0-1D-00-G
GasAlertMicro 5 Series MicroDock II module, non-charging (not compatible with ClO2 or O3)	DOCK2-0-1J-00-G
GasAlertMicro 5 Series MicroDock II module, charging without charging power supply (not compatible with ClO2 or O3)	DOCK2-0-1K-00-G
Honeywell BW™ MaxXT II MicroDock II module, charging without charging power supply	DOCK2-0-1M-00-G
GasAlertQuattro MicroDock II module, charging without charging power supply	DOCK2-0-1N-00-G
Honeywell BW™ MicroClip XL/XT MicroDock II module, charging without charging power supply	DOCK2-0-1P-00-G
Base station with 1 fresh air and 1 gas inlet(s)	DOCK2-2-00-G
Base station with 1 fresh air and 1 gas inlet(s), 1 GasAlert Extreme module(s) (not compatible with ClO2 or O3), 1 Honeywell BW™ MicroClip XL/XT module(s) with charging, with charging power supply	DOCK2-2-1C1D1P-00-G
Base station with 1 fresh air and 1 gas inlet(s), 1 GasAlertMicro 5 Series module(s) with charging (not compatible with ClO2 or O3), with charging power supply	DOCK2-2-1C1K-00-G
Base station with 1 fresh air and 1 gas inlet(s), 1 Honeywell BW™ MaxXT II module(s) with charging, with charging power supply	DOCK2-2-1C1M-00-G
Base station with 1 fresh air and 1 gas inlet(s), 1 Honeywell BW™ MaxXT II module(s) with charging, 1 Honeywell BW™ MicroClip XL/XT module(s) with charging, with charging power supply, heavy duty case kit (holds 1 base station, 1-3 docking module and 1-3 58 L gas cylinder (not included)) and DFR	DOCK2-2-1C1M1P-03-G
Base station with 1 fresh air and 1 gas inlet(s), 1 GasAlertQuattro module(s) with charging, with charging power supply	DOCK2-2-1C1N-00-G
Base station with 1 fresh air and 1 gas inlet(s), 1 GasAlertQuattro module(s) with charging, 1 Honeywell BW™ MicroClip XL/XT module(s) with charging, with charging power supply	DOCK2-2-1C1N1P-00-G
Base station with 1 fresh air and 1 gas inlet(s), 1 Honeywell BW™ MicroClip XL/XT module(s) with charging, with charging power supply	DOCK2-2-1C1P-00-G
Base station with 1 fresh air and 1 gas inlet(s), 1 Honeywell BW™ MicroClip XL/XT module(s) with charging, with charging power supply, hard case kit (holds 1 base station, 1 docking module and 1 34 L gas cylinder (not included)) and DFR	DOCK2-2-1C1P-01-G
Base station with 1 fresh air and 1 gas inlet(s), 2 Honeywell BW™ MaxXT II module(s) with charging, 3 Honeywell BW™ MicroClip XL/XT module(s) with charging, with charging power supply	DOCK2-2-1C2M3P-00-G
Base station with 1 fresh air and 1 gas inlet(s), 3 GasAlertQuattro module(s) with charging, with charging power supply, heavy duty case kit (holds 1 base station, 1-3 docking module and 1-3 58 L gas cylinder (not included)) and DFR	DOCK2-2-1C3N-03-G
Base station with 1 fresh air and 1 gas inlet(s), 4 GasAlertQuattro module(s) with charging, with charging power supply	DOCK2-2-1C4N-00-G
Base station with 1 fresh air and 1 gas inlet(s), 5 Honeywell BW™ MicroClip XL/XT module(s) with charging, with charging power supply	DOCK2-2-1C5P-00-G
Base station with 1 fresh air and 1 gas inlet(s), 1 GasAlert Extreme module(s) (not compatible with ClO2 or O3)	DOCK2-2-1D-00-G
Base station with 1 fresh air and 1 gas inlet(s), 1 GasAlert Extreme module(s) (not compatible with ClO2 or O3), 1 Honeywell BW™ MicroClip XL/XT module(s) with charging, without charging power supply	DOCK2-2-1D1P-00-G
Base station with 1 fresh air and 1 gas inlet(s), 1 GasAlertMicro 5 Series module(s) without charging (not compatible with ClO2 or O3)	DOCK2-2-1J-00-G
Base station with 1 fresh air and 1 gas inlet(s), 1 Honeywell BW™ MaxXT II module(s) with charging, without charging power supply	DOCK2-2-1M-00-G
Base station with 1 fresh air and 1 gas inlet(s), 1 GasAlertQuattro module(s) with charging, without charging power supply	DOCK2-2-1N-00-G
Base station with 1 fresh air and 1 gas inlet(s), 1 GasAlertQuattro module(s) with charging, without charging power supply, heavy duty case kit (holds 1 base station, 1-3 docking module and 1-3 58 L gas cylinder (not included)) and DFR	DOCK2-2-1N-03-G
Base station with 1 fresh air and 1 gas inlet(s), 1 GasAlertQuattro module(s) with charging, 1 Honeywell BW™ MicroClip XL/XT module(s) with charging, without charging power supply	DOCK2-2-1N1P-00-G
Base station with 1 fresh air and 1 gas inlet(s), 1 GasAlertQuattro module(s) with charging, 1 Honeywell BW™ MicroClip XL/XT module(s) with charging, without charging power supply, heavy duty case kit (holds 1 base station, 1-3 docking module and 1-3 58 L gas cylinder (not included)) and DFR	DOCK2-2-1N1P-03-G
Base station with 1 fresh air and 1 gas inlet(s), 1 Honeywell BW™ MicroClip XL/XT module(s) with charging, without charging power supply	DOCK2-2-1P-00-G
Base station with 1 fresh air and 1 gas inlet(s), 1 Honeywell BW™ MicroClip XL/XT module(s) with charging, without charging power supply, hard case kit (holds 1 base station, 1 docking module and 1 34 L gas cylinder (not included)) and DFR	DOCK2-2-1P-01-G
Base station with 1 fresh air and 1 gas inlet(s), 1 Honeywell BW™ MicroClip XL/XT module(s) with charging, without charging power supply, heavy duty case kit (holds 1 base station, 1-3 docking module and 1-3 58 L gas cylinder (not included)) and DFR	DOCK2-2-1P-03-G
Base station with 1 fresh air and 1 gas inlet(s), 2 Honeywell BW™ MaxXT II module(s) with charging, without charging power supply	DOCK2-2-2M-00-G
Base station with 1 fresh air and 1 gas inlet(s), 2 Honeywell BW™ MicroClip XL/XT module(s) with charging, without charging power supply	DOCK2-2-2P-00-G
Base station with 1 fresh air and 1 gas inlet(s), 6 GasAlertQuattro module(s) with charging, without charging power supply	DOCK2-2-6N-00-G
Base station with 1 fresh air and 2 gas inlet(s)	DOCK2-3-00-G
Base station with 1 fresh air and 2 gas inlet(s), 1 GasAlert Extreme module(s) (not compatible with ClO2 or O3), 1 Honeywell BW™ MaxXT II module(s) with charging, 1 Honeywell BW™ MicroClip XL/XT module(s) with charging, with charging power supply	DOCK2-3-1C1D1M1P-00-G
Base station with 1 fresh air and 2 gas inlet(s), 1 GasAlert Extreme module(s) (not compatible with ClO2 or O3), 1 GasAlertQuattro module(s) with charging, 1 Honeywell BW™ MicroClip XL/XT module(s) with charging, with charging power supply, heavy duty case kit (holds 1 base station, 1-3 docking module and 1-3 58 L gas cylinder (not included)) and DFR	DOCK2-3-1C1D1N1P-03-G
Base station with 1 fresh air and 2 gas inlet(s), 1 GasAlert Extreme module(s) (not compatible with ClO2 or O3), 1 Honeywell BW™ MicroClip XL/XT module(s) with charging, with charging power supply	DOCK2-3-1C1D1P-00-G
Base station with 1 fresh air and 2 gas inlet(s), 1 GasAlertMicro 5 Series module(s) without charging (not compatible with ClO2 or O3), 1 GasAlertQuattro module(s) with charging, with charging power supply	DOCK2-3-1C1J1N-00-G
Base station with 1 fresh air and 2 gas inlet(s), 1 GasAlertMicro 5 Series module(s) without charging (not compatible with ClO2 or O3), 1 Honeywell BW™ MicroClip XL/XT module(s) with charging, with charging power supply	DOCK2-3-1C1J1P-00-G

MicroDock II	Order Number
Base station with 1 fresh air and 2 gas inlet(s), 1 GasAlertMicro 5 Series module(s) with charging (not compatible with ClO2 or O3), with charging power supply	DOCK2-3-1C1K-00-G
Base station with 1 fresh air and 2 gas inlet(s), 1 GasAlertMicro 5 Series module(s) with charging (not compatible with ClO2 or O3), 1 GasAlertQuattro module(s) with charging, with charging power supply	DOCK2-3-1C1K1N-00-G
Base station with 1 fresh air and 2 gas inlet(s), 1 GasAlertMicro 5 Series module(s) with charging (not compatible with ClO2 or O3), 1 Honeywell BW™ MicroClip XL/XT module(s) with charging, with charging power supply	DOCK2-3-1C1K1P-00-G
Base station with 1 fresh air and 2 gas inlet(s), 1 Honeywell BW™ Max XT II module(s) with charging, 1 Honeywell BW™ MicroClip XL/XT module(s) with charging, with charging power supply	DOCK2-3-1C1M1P-00-G
Base station with 1 fresh air and 2 gas inlet(s), 1 Honeywell BW™ MicroClip XL/XT module(s) with charging, with charging power supply	DOCK2-3-1C1P-00-G
Base station with 1 fresh air and 2 gas inlet(s), 2 Honeywell BW™ Max XT II module(s) with charging, with charging power supply	DOCK2-3-1C2M-00-G
Base station with 1 fresh air and 2 gas inlet(s), 5 Honeywell BW™ MicroClip XL/XT module(s) with charging, with charging power supply	DOCK2-3-1C5P-00-G
Base station with 1 fresh air and 2 gas inlet(s), 6 Honeywell BW™ MicroClip XL/XT module(s) with charging, with charging power supply	DOCK2-3-1C6P-00-G
Base station with 1 fresh air and 2 gas inlet(s), 1 GasAlert Extreme module(s) (not compatible with ClO2 or O3), 1 GasAlertMicro 5 Series module(s) without charging (not compatible with ClO2 or O3), heavy duty case kit (holds 1 base station, 1-3 docking module and 1-3 58 L gas cylinder (not included)) and DFR	DOCK2-3-1D1J-03-G
Base station with 1 fresh air and 2 gas inlet(s), 1 GasAlert Extreme module(s) (not compatible with ClO2 or O3), 1 GasAlertMicro 5 Series module(s) without charging (not compatible with ClO2 or O3), 1 Honeywell BW™ MicroClip XL/XT module(s) with charging, without charging power supply	DOCK2-3-1D1J1P-00-G
Base station with 1 fresh air and 2 gas inlet(s), 1 GasAlertMicro 5 Series module(s) without charging (not compatible with ClO2 or O3)	DOCK2-3-1J-00-G
Base station with 1 fresh air and 2 gas inlet(s), 1 GasAlertMicro 5 Series module(s) without charging (not compatible with ClO2 or O3), 1 Honeywell BW™ MicroClip XL/XT module(s) with charging, without charging power supply	DOCK2-3-1J1P-00-G
Base station with 1 fresh air and 2 gas inlet(s), 1 GasAlertQuattro module(s) with charging, without charging power supply	DOCK2-3-1N-00-G
Base station with 1 fresh air and 2 gas inlet(s), 1 Honeywell BW™ MicroClip XL/XT module(s) with charging, without charging power supply	DOCK2-3-1P-00-G
Base station with 1 fresh air and 3 gas inlet(s)	DOCK2-4-00-G
Base station with 1 fresh air and 3 gas inlet(s), 1 GasAlert Extreme module(s) (not compatible with ClO2 or O3), 1 GasAlertMicro 5 Series module(s) with charging (not compatible with ClO2 or O3), 1 Honeywell BW™ MicroClip XL/XT module(s) with charging, with charging power supply	DOCK2-4-1C1D1K1P-00-G
Base station with 1 fresh air and 3 gas inlet(s), 1 GasAlert Extreme module(s) (not compatible with ClO2 or O3), 1 GasAlertMicro 5 Series module(s) with charging (not compatible with ClO2 or O3), 1 Honeywell BW™ MicroClip XL/XT module(s) with charging, with charging power supply, heavy duty case kit (holds 1 base station, 1-3 docking module and 1-3 58 L gas cylinder (not included)) and DFR	DOCK2-4-1C1D1K1P-03-G
Base station with 1 fresh air and 3 gas inlet(s), 1 GasAlert Extreme module(s) (not compatible with ClO2 or O3), 1 GasAlertQuattro module(s) with charging, with charging power supply	DOCK2-4-1C1D1N-00-G
Base station with 1 fresh air and 3 gas inlet(s), 1 GasAlert Extreme module(s) (not compatible with ClO2 or O3), 1 Honeywell BW™ MicroClip XL/XT module(s) with charging, with charging power supply	DOCK2-4-1C1D1P-00-G
Base station with 1 fresh air and 3 gas inlet(s), 1 Honeywell BW™ MicroClip XL/XT module(s) with charging, with charging power supply	DOCK2-4-1C1P-00-G
Base station with 1 fresh air and 3 gas inlet(s), 1 GasAlertMicro 5 Series module(s) without charging (not compatible with ClO2 or O3), 1 Honeywell BW™ Max XT II module(s) with charging, 1 Honeywell BW™ MicroClip XL/XT module(s) with charging, without charging power supply	DOCK2-4-1J1M1P-00-G
Base station with 1 fresh air and 3 gas inlet(s), 1 GasAlertMicro 5 Series module(s) with charging (not compatible with ClO2 or O3), without charging power supply	DOCK2-4-1K-00-G
Base station with 1 fresh air and 3 gas inlet(s), 1 Honeywell BW™ MicroClip XL/XT module(s) with charging, without charging power supply	DOCK2-4-1P-00-G
Base station with 1 fresh air and 4 gas inlet(s)	DOCK2-5-00-G
Base station with 1 fresh air and 4 gas inlet(s), 1 GasAlert Extreme module(s) (not compatible with ClO2 or O3), 1 GasAlertMicro 5 Series module(s) with charging (not compatible with ClO2 or O3), 1 Honeywell BW™ MicroClip XL/XT module(s) with charging, with charging power supply	DOCK2-5-1C1D1K1P-00-G
Base station with 1 fresh air and 4 gas inlet(s), 1 GasAlertQuattro module(s) with charging, 1 Honeywell BW™ MicroClip XL/XT module(s) with charging, with charging power supply, heavy duty case kit (holds 1 base station, 1-3 docking module and 1-3 58 L gas cylinder (not included)) and DFR	DOCK2-5-1C1N1P-03-G
Base station with 1 fresh air and 4 gas inlet(s), 1 Honeywell BW™ MicroClip XL/XT module(s) with charging, with charging power supply	DOCK2-5-1C1P-00-G
Base station with 1 fresh air and 4 gas inlet(s), 1 Honeywell BW™ MicroClip XL/XT module(s) with charging, without charging power supply	DOCK2-5-1P-00-G
MicroDock II Accessories	Order Number
Hard-sided carrying case with space for one module and one 34 L gas cylinder	DOCK2-CC1
Heavy duty carrying case with wheels with space for three modules and three 58 L gas cylinders	DOCK2-CC2
Network USB communication device	DOCK2-LAN-1P-NA
Wall mount adaptor (kit of 2) for MicroDock II modules and base station	WMA-DOCK
MicroDock II Replacements, Spares & Service Parts	Order Number
Replacement diffusion cover adaptor	DOCK2-DA-1
Replacement GasAlertMicro 5 Series docking module lid assembly	DOCK2-M5LID
Replacement multimedia card	DOCK2-MMC
Replacement inlet filter	DOCK-IF-1
Replacement rubber seal for Honeywell BW™ Max XT II docking module inlet slider	XT-RSD-10

Full Product Index (continued)

Connected Worker Solutions

ConneXt Vehicle Loneworker Solutions	Order Number
Single-Gas H2S Detector	CNX1-H-NA-LW
Multi-Gas Detector	CNX4-NA-LW

See page 65 for more information or contact your Honeywell Regional Sales Manager for a complete list of optional equipment and pricing.

ProRAE Guardian Cloud	Order Number
ProRAE Guardian Cloud	S01-1000-210

*See page 66 for more information or contact Customer Service or your Honeywell Regional Sales Manager for current pricing for Honeywell ProRAE Guardian Cloud licenses.

Wireless Connectivity	Order Number
Honeywell BW™ Connect wireless adapter	BW-CONNECT

Note: A license is required to connect to real-time monitoring solutions such as ProRAE Guardian Cloud. See page 68 for more information.

Calibration Equipment

Calibration Gas – Quint Gas Cylinders (5-gas mix)	Order Number
CH4 (2.5%), O2 (18.0%), H2S (25 ppm), CO (100 ppm), CO2 (0.5%), balance N2, 34 L	CG-QT34-1
CH4 (2.5%), O2 (18.0%), H2S (25 ppm), CO (100 ppm), CO2 (0.5%), balance N2, 58 L	CG-QT58-1

Calibration Gas – Quad Gas Cylinders (4-gas mix)	Order Number
CH4 (2.5%), O2 (18.0%), H2S (25 ppm), CO (100ppm), balance N2, 34 L	CG-Q34-4
CH4 (2.5%), O2 (18.0%), H2S (25 ppm), CO (100ppm), balance N2, 58 L	CG-Q58-4
CH4 (1.25% / 59% LEL, pentane equivalent), O2 (18.0%), H2S (25 ppm), CO (100ppm), balance N2, 34 L	CG-Q34-4JK
CH4 (1.25% / 59% LEL, pentane equivalent), O2 (18.0%), H2S (25 ppm), CO (100ppm), balance N2, 58 L	CG-Q58-4JK
O2 (18.0%), LEL (CH4, 50%), CO (50 ppm), H2S (25 ppm); balance N2, 58 L	54-9043
O2 (18.0%), LEL (propane equivalent CH4, 50%), CO (50 ppm), H2S (25 ppm); balance N2, 58 L	54-9044E
O2 (18.0%), LEL (propane equivalent CH4, 50%), CO (50 ppm), H2S (25 ppm); balance N2, 34 L	54-9049E

Calibration Gas – Triple Gas Cylinders (3-gas mix)	Order Number
CO (100 ppm), CH4 (2.5% LEL, O2 (18.0%), balance N2, 34 L (steel cylinder)	CG-TR34-1
CO (100 ppm), CH4 (2.5% LEL, O2 (18.0%), balance N2, 103 L	CG-TR103-1
H2S (25 ppm), CH4 (2.5% LEL), O2 (19.0%), balance N2, 58 L	CG-JXH
O2 (18.0%), LEL (CH4, 50%), CO (50 ppm); balance N2, 103 L	54-9041
O2 (18.0%), LEL (propane equivalent CH4, 50%), CO (50 ppm); balance N2, 103 L	54-9042E
O2 (18.0%), LEL (pentane equivalent CH4, 50%), CO (50 ppm), balance N2, 103 L	54-9070E

Calibration Gas – Dual Gas Cylinders (2-gas mix)	Order Number
CO (50 ppm) / O2 (18.0%); balance N2, 103 L	54-9033
Methane (CH4, 1.25% / 50% LEL pentane equivalent), oxygen (O2, 18.0%), balance N2, 103 L	54-9068E
Methane (CH4, 1.25% / 50% LEL pentane equivalent), carbon monoxide (CO, 50 ppm), balance N2, 29 L	54-9071E
Methane (CH4, 2.5% / 50% LEL), oxygen (O2, 18.0%), balance N2, 34 L	54-9079
Methane (CH4, 2.5% / 50% LEL), O2 (18.0%), balance N2, 58 L	CG2-JX-58
Carbon dioxide (CO2, 2%), oxygen (O2, 18.0%), balance N2, 103 L	54-9081
Isobutylene (100 ppm), oxygen (O2, 18.0% v/v) balance N2 103 L	54-9082

Calibration Gas – Single Gas Cylinders	Order Number
Ammonia (NH3, 50 ppm), balance air, 34 L	CG2-A-50-34
Ammonia (NH3, 50 ppm), balance N2, 58 L	CG2-A-50-58
Ammonia (NH3, 100 ppm), balance N2, 58 L	CG2-A-100-58
Carbon Dioxide (CO2, 1.0%/vol. / 10,000 ppm), balance N2, Size 34 L	CG2-B-10K-34
Carbon Dioxide (CO2, 1% v/v), balance air, 103 L	2992-0029
Carbon Monoxide (CO, 100 ppm), balance N2, 34 L	CG2-M-100-34
Carbon Monoxide (CO, 100 ppm), balance N2, 58 L	CG2-M-100-58
Carbon Monoxide (CO, 100 ppm), balance N2, 103 L	CG2-M-100-103
Carbon Monoxide (CO, 100 ppm) balance air, 103 L	GFV237
Chlorine (Cl2, 2 ppm), balance N2, 34 L	CG2-C-2-34
Chlorine (Cl2, 5 ppm), balance N2, 34 L	CG2-C-5-34
Chlorine (Cl2, 2 ppm), balance N2, 58 L	GFV253
Chlorine (Cl2, 5 ppm), balance N2, 58 L	CG2-C-5-58
Chlorine (Cl2, 10 ppm), balance N2, 58 L	54-9076
Chlorine (Cl2, 10 ppm), balance N2, 34 L	CG2-C-10-34
Ethylene oxide (ETO, 10 ppm), balance N2, 58 L	CG2-E-10-58

Calibration Gas – Single Gas Cylinders	Order Number
Hydrogen (H ₂ , 2.0%), balance air, 103 L	CG2-F-2.0-103
Hydrogen (H ₂ , 1000 ppm), balance air, 58 L	2992-0016
Hydrogen (H ₂ , 500 ppm), balance air, 103 L	1991-0159
Hydrogen chloride (HCl, 10 ppm), Size 58 L	CG2-L-10
Hydrogen cyanide (HCN, 10 ppm), balance N ₂ , 34 L	CG2-Z-10-34
Hydrogen cyanide (HCN, 10 ppm), balance N ₂ , 58 L	CG2-Z-10-58
Hydrogen cyanide (HCN, 10 ppm), balance N ₂ , 58 L	54-9054
Hydrogen sulfide (H ₂ S, 25 ppm), balance N ₂ , 34 L	CG2-H-25-34
Hydrogen sulfide (H ₂ S, 25 ppm), balance N ₂ , 58 L	CG3-H-25-58
Hydrogen sulfide (H ₂ S, 25 ppm), balance N ₂ , 58 L	G0042-H25
Hydrogen sulfide (H ₂ S, 25 ppm), balance N ₂ , 58 L	54-9034
Hydrogen sulfide (H ₂ S, 50 ppm), balance N ₂ , 58 L	CG2-H-50-58
Isobutylene (I-C ₄ H ₈ , 100 ppm), balance air, 34 L (aluminum cylinder)	CG2-IB-100-34AL
Isobutylene (I-C ₄ H ₈ , 100 ppm), balance air, 58 L (aluminum cylinder)	CG2-IB-100-58AL
Isobutylene (100 ppm), balance air, 103 L	119046-L3
Methane (CH ₄ , 2.5% / 50% LEL), balance air, 34 L (steel cylinder)	CG2-J-2.5-34
Methane (CH ₄ , 2.5% / 50% LEL), balance air, 34 L (aluminum cylinder)	CG2-J-2.5-34AL
Methane (CH ₄ , 2.5% / 50% LEL), balance air, 58 L	CG2-J-2.5-58
Methane (CH ₄ , 2.5% / 50% LEL), balance air, 103 L	CG2-J-2.5
Nitric oxide (NO, 50 ppm), balance N ₂ , 34 L	CG2-N-50-34
Nitric oxide (NO, 30 ppm) balance N ₂ , 58 L	54-9055
Nitric oxide (NO, 100 ppm), balance N ₂ , 58 L	2992-0035
Nitrogen (N ₂ , 100%), 34 L	CG-G0043-N2-34
Nitrogen (N ₂ , 99.8% v/v), 58 L	2992-0011
Nitrogen (N ₂ , 99.9%+ v/v, O ₂ < 0.1% v/v) 103 L	54-9035
Nitrogen dioxide (NO ₂ , 10 ppm), balance air, 34 L	CG2-D-10-34
Nitrogen dioxide (NO ₂ , 25 ppm), balance N ₂ , 34 L	CG2-D-25-34
Nitrogen dioxide (NO ₂ , 5 ppm) balance N ₂ , 58 L	54-9056
Oxygen (O ₂ , 18.0%), balance N ₂ , 34 L	CG2-X-18.0-34
Oxygen (O ₂ , 20.8%), balance N ₂ , 103 L	2992-0072
Pentane (C ₅ H ₁₂ , 0.75% v. / 50% LEL), balance air, 34 L	CG2-K-0.75-34
Phosphine (PH ₃ , 1 ppm), balance N ₂ , 34 L	CG2-P-1-34
Phosphine (PH ₃ , 5 ppm), balance N ₂ , 58 L	54-9065
Propane (C ₃ H ₈ , 1.0% v. / 50% LEL), balance air, 34 L	CG2-R-1.0-34
Sulfur dioxide (SO ₂ , 5 ppm) balance air, 34 L	GFV450
Sulfur dioxide (SO ₂ , 10 ppm), balance N ₂ , 34 L	CG2-S-10-34
Sulfur dioxide (SO ₂ , 10 ppm), balance N ₂ , 58 L	CG2-S-10-58
Sulfur dioxide (SO ₂ , 10 ppm), balance N ₂ , 58 L	2992-0003
Sulfur dioxide (SO ₂ , 20 ppm), balance N ₂ , 34 L	CG2-S-20-34
Sulfur dioxide (SO ₂ , 20 ppm), balance N ₂ , 58 L	CG2-S-20-58
Sulfur dioxide (SO ₂ , 25 ppm), balance N ₂ , 58 L	CG2-S-25
Zero air, 103 L	CG-ZERO
Zero air, 34 L (steel cylinder)	CG-ZERO-34
Calibration Gas – Test Gases	Order Number
Bump alarm test gas aerosol H ₂ S (100 ppm), balance N ₂	CG-BUMP-H25
Bump alarm test gas aerosol CO (100 ppm), balance N ₂	CG-BUMP-M100
Bump alarm test gas aerosol H ₂ S (100 ppm), CO (200 ppm), CH ₄ (2.5%), O ₂ (10%), balance N ₂	CG-BUMP1
Calibration Accessories	Order Number
Spare balloons for bump gas (kit of 10)	CG-BUMP-B
Spare balloon assembly kit with hose (1/8 in. I.D., 3/16 in. O.D.) and adaptor for bump gas	CG-BUMP-B-K
Regulator, standard service 1.0 LPM flow	12-023P
Calibration gas regulator (0.5 LPM)	REG-0.5
Calibration gas regulator (1.0 LPM)	REG-1.0
Calibration gas regulator (0.5 LPM)	REG2-0.5
Calibration gas regulator - trigger-style (for use with G0042-H25-BUMP only)	REG-TRIG1
Demand flow regulator, standard service	12-061
Demand flow regulator	REG-DF-1
Demand flow regulator for refillable cylinders, CGA connector	REG-DF-2
Demand flow regulator for disposable steel cylinders	REG-DF-3

Full Product Index (continued)

Calibration Accessories	Order Number
Operational check kit (calibration kit includes 1.0 LPM regulator (12-023P), 02/LEL (CH4 propane equivalent)/CO/H2S 58 L calibration gas (54-9044E), tubing, test cap for PhD 6 and carrying case)	54-05-K0502
58 L or 34 L calibration cylinder blue carrying case	CK2-CASE1
Wall mount (adjustable) for 34, 58, 103 L gas cylinders, red	MK-CG2-58
Recycle kit - for calibration gas cylinders	CG-RK-1

Calibration Replacements, Spares & Service Parts	Order Number
Quick connect fitting spares for hoses (kit of 2)	M0931K

General Accessories, Replacements, Spares & Service Parts

General Portables Accessories	Order Number
Sampling hose (10 ft. / 3 m, 3/16 in. I.D., 5/16 in. O.D.). Note: Not for use with reactive gases.	50113284-005
Sampling hose (50 ft. / 15 m, 3/16 in. I.D., 5/16 in. O.D.). Note: Not for use with reactive gases.	50113284-006
100 ft. (30 m) hose (Teflon-lined for reactive gases)	50113284-007
Infrared communication device (USB - IrDA requires one available PC USB port) for MultiPro and PhD 6	54-26-0605U
Connector fitting for Teflon-lined hose (C2-HOSE4-1)	C2-CF-HOSE4
Calibration hose, Tygon (1 ft. / 0.3 m, 1/8 in. I.D., 1/4 in. O.D.)	C2-HOSE1-1
Calibration hose, Tygon (10 ft. / 3 m, 1/8 in. I.D., 1/4 in. O.D.)	C2-HOSE1-10
Calibration hose, Tygon (5 ft. / 1.5 m, 1/8 in. I.D., 1/4 in. O.D.)	C2-HOSE1-5
3 ft. (1 m) calibration hose	C2-HOSE2
1 ft. (0.3M) Sample draw tubing - Teflon lined for use with reactive gases	C2-HOSE4-1
Manual aspirator pump kit with sampling hose (10 ft. / 3 m, 1/8 in. I.D., 1/4 in. O.D.). Note: no instrument adaptors or probes included.	D4-AS01
Manual aspirator pump kit with probe (1 ft. / 0.3 m)	GA-AS02
Chest harness	GA-CH-2
Collapsible aluminum sample probe with handle (3.3 ft. / 1 m), Tygon hose (1/8 in. I.D., 1/4 in. O.D.)	GA-CPROB1
Collapsible aluminum sample probe with handle (6 ft. / 1.8 m), Tygon hose (1/8 in. I.D., 1/4 in. O.D.)	GA-CPROB2
Extension strap (4 ft. / 1.2 m)	GA-ES-1
Sampling float	GA-FLOAT
Hard hat clip (non-conductive)	GA-HC-1
Short strap (6 in. / 15.2 cm)	GA-LY-1
Neck strap with safety release	GA-NS-1
Multi-unit (5) power adaptor, NA version (North America)	GA-PA-1-MC5-NA
12-24 Vdc direct-wire power adaptor	GA-PA-3
Sample probe with hydrophobic and particulate filters	GA-PROB1-1
Telescope screwdriver for GasAlert series (double end - hex and phillips) kit of 5	GA-SDRIVER
IR connectivity kit with Fleet Manager II software	GA-USB1-IR
12-24 Vdc vehicle power adaptor	GA-VPA-1
Sampling hose (10 ft. / 3 m, 1/8 in. I.D., 1/4 in. O.D.) kit - with connectors and 3 particulate filters	HOSE1-10
Sampling hose (20 ft. / 6.1 m, 1/8 in. I.D., 1/4 in. O.D.) kit - with connectors and 3 particulate filters	HOSE1-20
Sampling hose (65 ft. / 19.8 m, 1/8 in. I.D., 1/4 in. O.D.) kit - with connectors and 3 particulate filters	HOSE1-65
Sampling hose (75 ft. / 22.8 m, 1/8 in. I.D., 1/4 in. O.D.) kit - with connectors and 3 particulate filters. Note: For use with Honeywell BW™ Max XT II only.	HOSE1-75
Sampling hose (10 ft. / 3 m, 1/8 in. I.D., 1/4 in. O.D.) kit, Teflon lined for reactive gases, with connectors and 3 particulate filters	HOSE2-10
Sampling hose (20 ft. / 6.1 m, 1/8 in. I.D., 1/4 in. O.D.) kit, Teflon lined for reactive gases, with connectors and 3 particulate filters	HOSE2-20
Sampling hose (65 ft. / 19.8 m, 1/8 in. I.D., 1/4 in. O.D.) kit, Teflon lined for reactive gases, with connectors and 3 particulate filters	HOSE2-65
Sampling hose (75 ft. / 22.8 m, 1/8 in. I.D., 1/4 in. O.D.) kit, Teflon lined for reactive gases, with connectors and 3 particulate filters. Note: For use with Honeywell BW™ Max XT II only.	HOSE2-75
Replacement end cap for probe (54-05-A0403)	10-268
Replacement filter kit for sample probe 54-05-A0403	54-05-K0401
Replacement filter kit for probe (54-05-A0403) - particulate filters (kit of 30) and hydrophobic filters (kit of 10)	54-05-K0403
Replacement long filters (kit of 100) for sample probe 54-05-A0403	54-05-K0405
Replacement particulate filter for probe (54-05-A0403)	61-001
Replacement hydrophobic filter with male connector for manual aspirator pumps	D4-WT-1
Alligator-style clip (stainless steel) with screw (included with detector)	GA-AG-2
Metallic sintered particulate filter	GA-MFILTER
Replacement power adaptor, AU version (Australia)	GA-PA-1-AU
Replacement power adaptor, EU version (Europe)	GA-PA-1-EU
Replacement power adaptor, NA version (North America)	GA-PA-1-NA
Replacement power adaptor, UK version (United Kingdom)	GA-PA-1-UK

General Portables Accessories	Order Number
Replacement filter and gasket kit for one for sample probe (GA-PROB1-1)	GA-PROB-FIL-K1
Replacement particulate filter for GA-PROB1-1 (kit of 25)	GA-PROB-PFIL-K25
BW syringe filter replacements for sample probe (GA-PROB1-1)	GA-SFIL
BW syringe filter kit (kit of 20) replacements for sample probe (GA-PROB1-1)	GA-SFIL-K1
Replacement vibration motor for BW portable gas detectors	GA-VM-2
Replacement power supply for chargers	POWER-UPS-01
Replacement particulate filter for GA-PROB1-1 (kit of 5)	PROBE-FIL-1
Water trap with barbed connectors	WT-2
Sample probe assembly. Note: Hose, squeeze bulb and calibration/test cap sold separately.	54-05-A0403
Honeywell BW™ Connect wireless adapter	BW-CONNECT
General Portables Accessory Spares	Order Number
Test cap and hose (1 ft. / 0.3 m) for Honeywell BW Clip® Series and GasAlert Extreme	GA-TC-1
Splash guard filters for use with concussion-proof boot (GA-BALERT) (kit of 5)	GA-BSPLASH-K
Replacement power adaptor, AU version (Australia)	GA-PA-1-AU
Replacement power adaptor, EU version (Europe)	GA-PA-1-EU
Replacement power adaptor, NA version (North America)	GA-PA-1-NA
Replacement power adaptor, UK version (United Kingdom)	GA-PA-1-UK
Replacement power supply for chargers	POWER-UPS-01
Replacement filter kit for sample probe 54-05-A0403	54-05-K0401
Replacement filter kit for probe (54-05-A0403) - particulate filters (kit of 30) and hydrophobic filters (kit of 10)	54-05-K0403
Replacement long filters (kit of 100) for sample probe 54-05-A0403	54-05-K0405
Replacement particulate filter for probe (54-05-A0403)	61-001
Replacement filter and gasket kit for one for sample probe (GA-PROB1-1)	GA-PROB-FIL-K1
Replacement particulate filter for GA-PROB1-1 (kit of 25)	GA-PROB-PFIL-K25
BW syringe filter replacements for sample probe (GA-PROB1-1)	GA-SFIL
BW syringe filter kit (kit of 20) replacements for sample probe (GA-PROB1-1)	GA-SFIL-K1
Replacement particulate filter for GA-PROB1-1 (kit of 5)	PROBE-FIL-1
Replacement hydrophobic filter with male connector for manual aspirator pumps	D4-WT-1
Metallic sintered particulate filter	GA-MFILTER
Water trap with barbed connectors	WT-2
Alligator-style clip (stainless steel) with screw (included with detector)	GA-AG-2
Replacement vibration motor for BW portable gas detectors	GA-VM-2
Replacement Sensors	Order Number
Replacement Duo-Tox sensor - carbon monoxide (CO) and hydrogen sulfide (H2S), for GasAlertMicro 5 Series	D4-RHM04
Replacement chlorine (Cl2) sensor, for Honeywell BW™ Solo, GasAlert Extreme and GasAlertMicro 5 Series - Note: 1 year warranty.	PS-RC10
Replacement nitrogen dioxide (NO2) sensor, for Honeywell BW™ Solo, GasAlert Extreme and GasAlertMicro 5 Series	PS-RD04
Replacement hydrogen sulfide (H2S) sensor, for Honeywell BW™ Solo, GasAlert Extreme and GasAlertMicro 5 Series	PS-RH04S
Replacement carbon monoxide (CO-H) sensor, H2 resistant, for GasAlert Extreme	PS-RM04H
Replacement sulfur dioxide (SO2) sensor, for Honeywell BW™ Solo, GasAlert Extreme and GasAlertMicro 5 Series	PS-RS04
Replacement hydrogen cyanide (HCN) sensor, for GasAlert Extreme and GasAlertMicro 5 Series - Note: 1 year warranty.	PS-RZ10
Replacement ammonia (NH3) sensor, for Honeywell BW™ Solo, GasAlert Extreme and GasAlertMicro 5 Series - Note: 1 year warranty.	SR-A04
Replacement ammonia (NH3) sensor (4R+), for Honeywell BW™ Ultra	SR-A1-4R
Replacement ammonia (NH3) sensor, extended range, for Honeywell BW™ Solo, GasAlert Extreme and GasAlertMicro 5 Series - Note: 1 year warranty.	SR-A204
Replacement carbon dioxide (CO2) IR sensor, for GasAlertMicro 5 Series	SR-B04
Replacement carbon dioxide (CO2) IR sensor (4R+), for Honeywell BW™ Ultra	SR-B1-4R
Replacement chlorine (Cl2) sensor (4R+), for Honeywell BW™ Ultra - Note: 1 year warranty.	SR-C1-4R
Replacement nitrogen dioxide (NO2) sensor (4R+), for Honeywell BW™ Ultra	SR-D1-4R
Dummy sensor for the oxygen sensor location, for all BW Portables products	SR-DUMM1
1-Series dummy sensor, for Honeywell BW™ Ultra	SR-DUMM-1S
Dummy sensor for the combustible (LEL) location, for GasAlertQuattro and GasAlertMicro 5 Series	SR-DUMM2
Dummy sensor for PID location, for GasAlertMicro 5 Series	SR-DUMM3
4R+ dummy sensor, for Honeywell BW™ Ultra	SR-DUMM-4R
Replacement ethylene oxide (ETO) sensor, for GasAlert Extreme - Note: 1 year warranty.	SR-E04
Replacement ethylene oxide (ETO) sensor (4-Series)*, for Honeywell BW™ Solo - Note: 1 year warranty.	SR-ER04
Replacement ozone (O3) sensor, for Honeywell BW™ Solo, GasAlert Extreme and GasAlertMicro 5 Series - Note: 1 year warranty.	SR-G04
Replacement hydrogen sulfide (H2S) sensor, for GasAlertQuattro	SR-H04-SC
Replacement hydrogen sulfide (H2S) sensor (1-Series), for Honeywell BW™ Solo and Honeywell BW™ Ultra	SR-H1-1S
Replacement MICROceL hydrogen sulfide (H2S) sensor, for Honeywell BW™ MicroClip and Honeywell BW™ Max XT II	SR-H-MC

Full Product Index (continued)

Replacement Sensors	Order Number
Replacement carbon monoxide (CO) sensor, for GasAlert Extreme, GasAlertQuattro and GasAlertMicro 5 Series	SR-M04-SC
Replacement carbon monoxide (CO) sensor (1-Series), for Honeywell BW™ Solo and Honeywell BW™ Ultra	SR-M1-1S
Replacement carbon monoxide (CO) sensor, hydrogen (H2) resistant (4R+), for Honeywell BW™ Ultra	SR-M2-4R
Replacement MICROceL carbon monoxide (CO) sensor, for Honeywell BW™ MicroClip and Honeywell BW™ Max XT II	SR-M-MC
Replacement carbon monoxide, hydrogen (h2) resistant (CO-H) sensor (4-Series), for Honeywell BW™ Solo	54-47-19
Replacement nitric oxide (NO) sensor, for GasAlert Extreme and GasAlertMicro 5 Series	SR-N04
Replacement nitrogen monoxide (NO) sensor (4R+), for Honeywell BW™ Ultra	SR-N1-4R
Replacement nitric oxide (NO) sensor (4-Series), for Honeywell BW™ Solo	SR-NR04
Replacement phosphine (PH3) sensor, for Honeywell BW™ Solo, GasAlert Extreme and GasAlertMicro 5 Series	SR-P04
Replacement volatile organic compounds (VOC) PID sensor, 10.6 eV, for GasAlertMicro 5 Series	SR-Q07
Replacement volatile organic compounds (VOC) PID sensor (4R+), for Honeywell BW™ Ultra - Note: 1 year warranty.	SR-Q1-4R
Replacement hydrogen (H2) sensor (4R+), for Honeywell BW™ Ultra	SR-R1-4R
Replacement hydrogen (H2) sensor (4-Series), for Honeywell BW™ Solo	SR-RR04
Replacement sulfur dioxide (SO2) sensor (4R+), for Honeywell BW™ Ultra	SR-S1-4R
Dummy sensor for toxic sensor locations, for Honeywell BW™ MicroClip and Honeywell BW™ Max XT II	SR-TOX-MC-DUM
Replacement chlorine dioxide (ClO2) sensor, for Honeywell BW™ Solo, GasAlert Extreme and GasAlertMicro 5 Series - Note: 1 year warranty.	SR-V04
Replacement combustible (LEL) sensor with heavy duty silicone filter*, for GasAlertMicro 5 Series	SR-W04
Replacement combustible (LEL) sensor, for GasAlertQuattro (unfiltered)	SR-W04-75
Replacement combustible (LEL) sensor, for GasAlertQuattro	SR-W04-75C
Replacement combustible (LEL) sensor without heavy duty silicone filter*	SR-W04-UF
Replacement combustible (LEL) sensor (filtered, 1-Series), for Honeywell BW™ Ultra	SR-W1-1S
Replacement combustible (LEL) sensor (unfiltered, 1-Series), for Honeywell BW™ Ultra	SR-W2-1S
Replacement combustible (LEL) sensor (carbon filtered for mining, 1-Series), for Honeywell BW™ Ultra	SR-W3-1S
Replacement combustible (LEL) IR sensor (4R+), for Honeywell BW™ Ultra	SR-W4-4R
Dummy sensor for combustible (LEL) sensor location, for Honeywell BW™ MicroClip and Honeywell BW™ Max XT II	SR-W-MC-DUM
Replacement MICROpeL combustible (LEL) sensor, for Honeywell BW™ MicroClip and Honeywell BW™ Max XT II, unfiltered	SR-W-MP75
Replacement MICROpeL combustible (LEL) sensor, for Honeywell BW™ MicroClip and Honeywell BW™ Max XT II	SR-W-MP75C
Replacement oxygen (O2) sensor (1-Series), for Honeywell BW™ Solo and Honeywell BW™ Ultra	SR-X1-1S
Replacement oxygen (O2) sensor for GasAlert Extreme, Honeywell BW™ MicroClip XL, GasAlertQuattro, Honeywell BW™ MaxXT II, GasAlertMicro 5 Series	SR-X2V
Replacement oxygen (O2) sensor for use with GasAlert MicroClip X3	SR-X3P
Replacement hydrogen cyanide (HCN) sensor (4R+), for Honeywell BW™ Ultra	SR-Z1-4R
Replacement hydrogen cyanide (HCN) sensor (4-Series), for Honeywell BW™ Solo	SR-ZR04
Sensor conditioning station for 4R+ sensors, for Honeywell BW™ Ultra	T03-0001-000
PID 4R+ sensor top cover removal tool (kit of 3), for Honeywell BW™ Ultra	G02-0306-003
PID sensor lamp cleaning kit, for Honeywell BW™ Ultra	081-0017-000

Appendix

- 117 Filtered Catalytic Bead Combustible (LEL) Sensor Information
- 118 Portable Gas Detection Sensor Replacement Guide
- 120 PID Information
- 121 PID Detectable Gases
- 122 USA Quick Ship Program & Standard Lead Times
- 124 Honeywell Analytics Online
- 126 Warranty, Repair, Service and Returns



Appendix

- 117 Filtered Catalytic Bead Combustible (LEL) Sensor Information
- 118 Portable Gas Detection Sensor Replacement Guide
- 120 PID Information
- 121 PID Detectable Gases
- 122 USA Quick Ship Program & Standard Lead Times
- 124 Honeywell Analytics Online
- 126 Warranty, Repair, Service and Returns



Filtered Catalytic Bead Combustible (LEL) Sensor Information

BW Technologies by Honeywell multi-gas detectors are offered with an unfiltered combustible gas (LEL) sensor. The filtered LEL sensor provides enhanced resistance to airborne sensor poisons such as volatile silicone vapors and high concentrations of hydrogen sulfide gas. Due to the physical size of some molecules, the filtered LEL sensor is not typically suitable for the detection of some compounds including complex hydrocarbons, alcohols, ketones and esters. The filtered LEL sensor is suitable for the detection of less complex molecules including C₁ to C₆ hydrocarbons, hydrogen and acetylene. For applications requiring the detection of more complex compounds, select a detector with an unfiltered LEL sensor. Consult the following chart for assistance in selecting a suitable combustible sensor.

Explosive Gas / Vapour	Detectable by Non-Filtered LEL Sensor	Detectable by Filtered LEL Sensor
Hydrogen (H ₂)	•	•
Methane (CH ₄)	•	•
Ethane (C ₂ H ₆)	•	•
Propane (C ₃ H ₈)	•	•
n-Butane (C ₄ H ₁₀)	•	•
n-Pentane (C ₅ H ₁₂)	•	•
n-Hexane (C ₆ H ₁₄)	•	•
n-Heptane (C ₇ H ₁₆)	•	
n-Octane (C ₈ H ₁₈)	•	
n-Nonane (C ₉ H ₂₀)	•	
Methanol (CH ₃ OH)	•	
Ethanol (C ₂ H ₆ O)	•	
Iso-propyl alcohol (C ₃ H ₈ O)	•	
Acetylene (C ₂ H ₂)	•	•
1, 3 Butadiene (C ₄ H ₆)	•	•
Carbon monoxide (CO)	•	•
Acetone (C ₃ H ₆ O)	•	
Methyl ethyl ketone (C ₄ H ₈ O)	•	
Toluene (C ₇ H ₈)	•	
Ethyl acetate (C ₄ H ₈ O ₂)	•	
Ammonia (NH ₃)	•	•
Cyclohexane (C ₆ H ₁₂)	•	•
Gasoline	•	
Ethylene (C ₂ H ₄)	•	•
Benzene (C ₆ H ₆)	•	

Note: This list is not all-inclusive. As combustible sensors are a non-specific sensing technology, it is recommended you verify detection capabilities for any specific compounds. Catalytic bead sensors are typically not recommended for detection of combustible gases with flash points greater than 100°F (37.8°C).

Portable Gas Detection Sensor Replacement Guide

Manufacturer's Description	Honeywell BW Clip® Series*	GasAlert Extreme	Honeywell BW™ Solo	Honeywell BW™ MicroClip XT/XL	Honeywell BW™ MicroClip X3	Honeywell BW™ Clip4*	GasAlert Quattro	Honeywell BW™ Max XT II	GasAlert Micro 5 Series	Honeywell BW™ Ultra	ToxiPro	MultiPro†	PhD6 Multi-Gas Detector	Part/Material Number
Ammonia (NH₃)														
NH3 3E 100 SE		•	•						•					SR-A04
NH3 3E 1000 SE (extended range)		•	•											SR-A204
NH3 4R+										•				SR-A1-4R
NH3 3E 100 SE											•			54-47-21
NH3 3E 100 SE (SMART)													•	54-54-21
Carbon Dioxide (CO₂)														
MSH-P/CO2/5//P									•					SR-B04
CO2 4R+ NDIR										•				SR-B1-4R
MSH-P/CO2/3//N (SMART)													• [†]	54-54-50
Carbon Monoxide (CO)														
CO 3E 500 S, H2 resistant		•												PS-RM04H
MICROceL CF				•	•			•						SR-M-MC
Surecell CO (M)		•					•		•					SR-M04-SC
Surecell CO (M)	○													N/A
1CO			•							•				SR-M1-1S
CO 4R+, H2 resistant										•				SR-M2-4R
CO-AF											•			54-47-01
CO-AX, H2 resistant			•								•			54-47-19
CO-AX, H2 resistant												•		54-49-19
CO-AF												•		54-49-25
CO-AX (SMART)													•	54-54-19
CO-AF (SMART)													•	54-54-01
2CF, H2 resistant (SMART)													•	54-54-25
Carbon Monoxide and Hydrogen Sulfide (CO / H₂S)														
4COSH									•					D4-RHM04
4COSH						○								N/A
4COSH												•		54-49-14
4COSH (SMART)													•	54-54-14
Chlorine (Cl₂)														
CL2 3E 50		•	•						•					PS-RC10
CL2 4R+										•				SR-C1-4R
CL2 3E 50											•			54-47-18
CL2 3E 50 (SMART)													•	54-54-18
Chlorine Dioxide (ClO₂)														
CLO2 3E 1 O		•	•						•					SR-V04
CLO2 3E 1 O											•			54-47-20
CLO2 3E 1 O (SMART)													•	54-54-20
Combustible IR (0-5% v/v)														
MSH-P/HC/3//V/N/F (SMART)													• [†]	54-54-51
Combustible (%LEL)														
4P-90 (unfiltered)									•					SR-W04-UF
4P-90C									•					SR-W04
4P-75 (unfiltered)							•							SR-W04-75
4P-75C							•							SR-W04-75C
MICROpeL75 (unfiltered)				•	•			•						SR-W-MP75
MICROpeL 75C				•	•			•						SR-W-MP75C
MiPex-04						○								N/A
1 LEL 75C (filtered)										•				SR-W1-1S
1 LEL 75 (unfiltered)										•				SR-W2-1S
1 LEL 75M (carbon filtered)										•				SR-W3-1S
CH4 4R+ NDIR										•				SR-W4-4R
KGS 701												•		54-49-80C
KGS 701 (SMART)													•	54-54-80C

NOTE: *Honeywell BW Clip® Series and Honeywell BW™ Clip4 detector sensors (denoted by '○') are not serviceable. †Not CSA Approved.

Portable Gas Detection Sensor Replacement Guide

Manufacturer's Description	Honeywell BW Clip® Series*	GasAlert Extreme	Honeywell BW™ Solo	Honeywell BW™ MicroClip XT/XL	Honeywell BW™ MicroClip X3	Honeywell BW™ Clip4*	GasAlert Quattro	Honeywell BW™ Max XT II	GasAlert Micro 5 Series	Honeywell BW™ Ultra	ToxiPro	MultiPro†	PhD6 Multi-Gas Detector	Part/Material Number
Ethylene Oxide (ETO)														
4 ETO		•												SR-E04
ETO-A1			•											SR-ERO4
Hydrogen (H₂)														
4HYT			•											SR-RR04
H2 4R+										•				SR-R1-4R
Hydrogen Cyanide (HCN)														
HCN 3E 30F		•							•					PS-RZ10
HCN-A1			•											SR-ZR04
HCN 4R+										•				SR-Z1-4R
HCN 3E 30F											•			54-47-23
HCN 3E 30F (SMART)													•	54-54-23
Hydrogen Sulfide (H₂S)														
Surecell H2S (M)	○													N/A
4HS/LM		•	•						•					PS-RH04S
MICROceL HS				•	•			•						SR-H-MC
Surecell H2S (M)							•							SR-H04-SC
1H2S			•							•				SR-H1-1S
H2S-A1											•			54-47-02
H2S-A1												•		54-49-02
H2S-A1 (SMART)													•	54-54-02
Nitric Oxide (NO)														
4NT		•												SR-N04
NO-A1			•											SR-NR04
NO 4R+										•				SR-N1-4R
4NT (SMART)													•	54-54-06
Nitrogen Dioxide (NO₂)														
4ND		•	•						•					PS-RD04
NO2 4R+										•				SR-D1-4R
NO2-A1											•			54-47-24
Oxygen (O₂)														
O2-A2	○													N/A
1O2			•							•				SR-X1-1S
4OXV		•		•			•	•	•					SR-X2V
4OxLL					•									SR-X3P
4OXV						○								N/A
O2-A2											•			54-47-90
4OXV												•		54-49-90
4OXV (SMART)													•	54-54-90
Ozone (O₃)														
O3 3E 1		•	•						•					SR-G04
Phosphine (PH₃)														
4PH-FAST		•	•						•					SR-P04
4PH-FAST											•			54-47-13
4PH-FAST (SMART)													•	54-54-13
Photoionization Detector (PID)														
SR-Q07									•					SR-Q07
PID 10.6EV 4R+										•				SR-Q1-4R
PID-A1 (SMART)													•	54-54-52
Sulfur Dioxide (SO₂)														
4S	○													N/A
4S		•	•						•					PS-RS04
SO2 4R+										•				SR-S1-4R
4S											•			54-47-03
4S (SMART)													•	54-54-03

NOTE: *Honeywell BW Clip® Series and Honeywell BW™ Clip4 detector sensors (denoted by '○') are not serviceable. †Not CSA Approved.

PID Information

VOCs and PID

VOCs are organic compounds characterized by a tendency to evaporate easily at room temperature with the potential of forming a toxic gas concentration. While some volatile organic compounds (VOCs) are acutely toxic at low concentrations, the harmful effects of most VOCs are delayed. Negative effects may occur long after the primary exposure thus many people ignore the potential danger. Long-term effects can include leukemia, memory problems, loss of hand-eye coordination, cancer, and a range of other physiological affects. Many personnel throughout the world are unprotected from VOCs in their daily work either because they are unaware of the toxic hazards, or because they are without a detector that detects for these gas concentrations.

Most VOCs have surprisingly low occupational exposure limits. An increased awareness has resulted in several newly revised VOC exposure limits, including TLVs for diesel vapor, kerosene, and gasoline. Photoionization detectors (PIDs) are able to detect VOCs and large hydrocarbon molecules that are undetectable by catalytic and electrochemical sensors.

PID equipped instruments are generally the best choice for measurement of VOCs at exposure limit concentrations.

This table lists ten common VOCs, their lower explosive limit (LEL) concentration and their exposure limits per the UK OEL, NIOSH REL and ACGIH TLV. The table also identifies those contaminants (highlighted in dark gray) with toxic exposure limits lower than 5% LEL.

Substance	Ionization Energy	Detectable by
carbon monoxide	14.01	electrochemical sensor
hydrogen cyanide	13.60	electrochemical sensor
methane	12.98	combustible sensor
sulfur dioxide	12.32	electrochemical sensor
oxygen	12.08	O ₂ sensor
chlorine	11.48	electrochemical sensor
chlorine dioxide	10.57	electrochemical sensor
hydrogen sulfide	10.46	electrochemical sensor
n-hexane	10.18	electrochemical sensor
ammonia	10.16	electrochemical sensor
phosphine	9.87	electrochemical sensor
nitrogen dioxide	9.75	electrochemical sensor
acetone	9.69	—
MEK	9.51	—
butadiene	9.07	—
toluene	8.82	—

↑ detectable by 10.6 PID ↓

Contaminant	LEL (Vol%)	OSHA PEL	NIOSH REL	TLV	5% LEL in ppm
Acetone	2.5	1,000 ppm TWA	250 ppm TWA	500 ppm TWA 750 ppm STEL	1250 ppm
Diesel (No. 2) vapor	0.6	None Listed	None Listed	15 ppm	300 ppm
Ethanol	3.3	1,000 ppm TWA	1000 ppm TWA	1000 ppm TWA	1,650 ppm
Gasoline	1.3	None Listed	None Listed	300 ppm TWA 500 ppm STEL	650 ppm
Hexane	1.1	500 ppm TWA	50 ppm TWA	50 ppm TWA	550 ppm
Isopropyl alcohol	2.0	400 ppm TWA	400 ppm TWA 500 ppm STEL	200 ppm TWA 400 ppm STEL	1000 ppm
Kerosene/Jet Fuels	0.7	None Listed	100 mg/M3 TWA (approx. 14.4 ppm)	200 mg/M3 TWA (approx. 29 ppm)	350 ppm
MEK	1.4	200 ppm TWA	200 ppm TWA 300 ppm STEL	200 ppm TWA 300 ppm STEL	700 ppm
Turpentine	0.8	100 ppm TWA	100 ppm TWA	20 ppm TWA	400 ppm
Xylenes (o, m and p isomers)	0.9-1.1	100 ppm TWA	100 ppm TWA 150 ppm STEL	100 ppm TWA 150 ppm STEL	450–550 ppm

Toxic limits that exceed lower explosive limits (LEL)

PID Detectable Gases

Acetaldehyde	Cyclohexene	Ethyl acrylate	2-methoxy-1-methylethyl acetate (PGMEA thinners)	Phenylenediamine, p-
Acetic Anhydride	Cyclohexylamine	Ethyl amine		Picoline, 3-
Acetone	Cyclopentane	Ethyl benzene	Methoxypropan-2-ol	Picric acid
Acrylic Acid	Decane, n-	Ethyl butyrate	Methoxypropyl acetate	Pinene, alpha
Allyl chloride	Diacetone alcohol	Ethyl hexyl acrylate, 2-	Methyl acetate	Pinene, beta
Ammonia	Dibromochloromethane	Ethylene	Methyl acrylate	Piperidine
Ammonium chloride	Dibromoethane 1,2-	Ethylene glycol	Methyl ethyl ketone (MEK)	Piperylene
Amyl acetate, n-	Dichloro-1-propene, 2,3-	Ferrocene	Methyl isobutyl ketone (MIBK)	Prop-2-yn-1-ol
Amyl alcohol	Dichloroacetylene	Formamide	Methyl isothiocyanate	Propan-1-ol
Aniline	Dichlorobenzene o-	Furfural	Methyl methacrylate	Propan-2-ol
Anisole	Dichloroethene, 1,1-	Furfuryl alcohol	Methyl oxirane	Propane-1,2-diol, total
Asphalt, petroleum fumes	Dichloroethene, cis-1,2-	Gasoline vapors	4-Methyl pentan-2-one	Propene
Benzaldehyde	Dichloroethene, trans-1,2-	Gasoline vapors 92 octane	1-Methyl-prop-2-ene	Propionaldehyde
Benzenamine	Dichloroethylene, 1,1-	Heptan-2-one	Methyl n-propyl ketone (MPK)	Propionic acid
Benzenethiol	Dichloroethylene 1,2-	Heptan-3-one	Methyl salicylate	Propyl acetate, n-
Benzonitrile	Dicyclopentadiene	Heptane n-	Methyl sulphide	Propylene
Benzyl alcohol	Diesel Fuel	Hexamethyldisilazane, 1,1,1,3,3,3-	Methyl t-butyl ether (MTBE)	Propylene oxide
Benzyl formate	Diethyl ether	Hexan-1-ol	Methyl-2-propen-1-ol, 2-	Propyleneimine
Biphenyl	Diethyl sulphide	Hexan-2-one	Methyl-2-pyrrolidinone, N-	Pyridine
Bis (2,3-epoxypropyl) ether	Diethylamine	Hexane n-	Methyl-5-hepten-2-one, 6-	Pyridylamine 2-
Bitumen, petroleum fumes	Diethylaminoethanol, 2-	Hexene, 1-		Pyrocatechol
Bromobenzene	Diethylaminopropylamine, 3-	Hydrogen sulfide	Methylamine	Resorcinol
Bromoethane	Dihydrogen selenide	Hydroquinone	Methylbutan-1-ol, 3-	Safrole
Bromoethyl methyl ether, 2-	Diisobutylene	Hydroxypropyl acrylate 2-	Methylcyclohexane	Styrene
Bromopropane, 1-	Diisopropyl ether	Iminodi(ethylamine) 2,2-	Methylcyclohexanol, 4-	Terpinolene
Butadiene	Diisopropylamine	Iminodiethanol 2,2'-	Methylcyclohexanone 2-	Tert-butanol
Butadiene diepoxide, 1,3-	Dimethoxymethane	Indene	Methylheptan-3-one, 5-	Tetrabromoethane, 1,1,2,2-
Butan-2-one	Dimethyl benzene	Iodoform	Methylhexan-2-one, 5-	Tetracarbonylnickel
Butanol, 1-	Dimethyl disulphide	Iodomethane	Methylhydrazine	Tetrachloroethylene
Buten-3-ol, 1-	Dimethyl ether	Isoamyl acetate	Methyl-N-2,4,6-tetranitroaniline, N-	Tetrachloronaphthalenes, all isomers
Butene, 1-	Dimethyl formamide, N,N-	Isobutane	Methylpent-3-en-2-one, 4-	Tetraethyl orthosilicate
Butoxyethanol, 2-	Dimethyl phthalate	Isobutanol	Methylpentan-2-ol, 4-	Tetrafluoroethylene
2-butoxyethyl acetate	Dimethyl sulphide	Isobutyl acetate	Methylpentane-2,4-diol, 2-	Tetrahydrofuran
Butyl acetate, n-	Dimethylacetamide N,N-	Isobutyl acrylate	Methylpropan-2-ol, 2-	Tetrahydrothiophene
Butyl acrylate, n-	Dimethylamine	Isobutylene	Methylstyrene	Thiophane
Butyl lactate	Dimethylaminoethanol	Isobutylaldehyde	Mineral spirits	Toluene
t-Butyl methyl ether (MTBE)	Dimethylaniline, NN-	Isooctane (Naphtha)	Monochlorobenzene	Tributylamine
Butylamine, 2-	Dimethylbutyl acetate	Isooctyl alcohol	Naphtha (iso-octane)	Trichlorobenzene 1,2,4-
Butylamine, n-	Dimethylethylamine, NN-	Isopentane	Naphthalene	Trichloroethylene
Camphene	Dimethylformamide	Isophorone	Nitric oxide	Trimethylamine
Carbon disulfide	Dimethylheptan-4-one, 2,6-	Isoprene	Nitroaniline 4-	Trimethylbenzene mixtures
Carbon tetrabromide	Dinitrobenzene, m-	Isopropanol	Nitrogen trichloride	Trimethylbenzene, 1,3,5-
Chloro-1,3-butadiene, 2-	Dinitrobenzene, p-	Isopropyl acetate	Nonane, n-	Turpentine
Chlorobenzene	Dinonyl phthalate	Isopropyl alcohol	Octane, n-	TVOC
Chloroethyl methyl ether, 2-	Dioxane 1,2-	Isosafrole	Octene, 1-	Undecane, n-
Chlorotoluene, o-	Dioxane 1,4-	Jet Fuel JP-4	Oxydiethanol 2,2-	Vinyl acetate
Chlorotoluene, p-	Diphenyl ether	Jet Fuel JP-5	Pentan-2-one	Vinyl bromide
Chlorotrifluoroethylene	Diphenylamine	Jet Fuel JP-8, Jet A1	Pentan-3-one	Vinyl chloride
Cresol, m-	Divinylbenzene	Kerosene	Pentandione, 2,4-	Vinylethylene
Cresol, o-	Epoxypropyl isopropyl ether, 2,3-	Ketene	Pentane, n-	Vinyl-2-pyrrolidinone, 1-
Cresol, p-	Ethanal	n-Limonene	Phenol	Xylene mixed isomers
Crotonaldehyde	Ethanol	Mesitylene	Phenyl-2-propanone	Xylene, m-
Cumene	Ethanolamine	Methacrylic acid	Phenyl propene, 2-	Xylene, o-
Cyclohexane	Ethoxyethanol, 2-	Methacrylonitrile	Phenyl-2,3-epoxypropyl ether	Xylene, p-
Cyclohexanol	Ethyl (S)-(-)-lactate	Methoxyethanol, 2-		Xylidine, all
Cyclohexanone	Ethyl acetate	Methoxyethoxyethanol, 2-		
	Ethyl alcohol	Methoxymethylethoxy-2-propanol		

Note: This list is not all-inclusive. For a complete list of PID-detectable gases, please consult your RSM or a factory location. As PID is a non-specific sensing technology, it is recommended you verify detection capabilities for any specific compounds.

USA Quick Ship Program & Standard Lead Times

In response to customer feedback, Honeywell Analytics and BW Technologies by Honeywell offer accelerated shipment of standard products to serve you better. Portable gas detectors, accessories and spares as specified below are targeted to ship in 48 hours from order placement. Maximum order quantity applies.

*If ordering above this quantity, please use lead time for "All other configurations".

**If ordering above this quantity, please contact customer service for lead-time.

			Lead Time (days)	Max Qty
Honeywell BW Clip® Series	BWC2-H	24 month H ₂ S detector	2	80*
	BWC2-M	24 month CO detector	2	50*
	BWC2-S	24 month SO ₂ detector	2	50*
	BWC2-X	24 month O ₂ detector	2	50*
	BWC3-H	36 month H ₂ S detector	2	80*
	BWC3-M	36 month CO detector	2	10*
	All other configurations	Honeywell BW Clip® Series	6	1000**
Honeywell BW™ Solo	BWS-HL-Y	H ₂ S detector	2	10*
	BWS-ML-Y	CO detector	2	10*
	BWS-XL-Y	O ₂ detector	2	10*
	BWS-A2-Y	NH ₃ (extended range) detector	2	10*
	All other configurations	Honeywell BW™ Solo	6	500**
Honeywell BW™ MicroClip XL	MCXL-XWHM-Y-NA	%LEL, O ₂ , H ₂ S, CO detector	2	10*
	All other configurations	Honeywell BW™ MicroClip XL	6	125**
Honeywell BW™ MicroClip X3	MCX3-XWHM-Y-NA	%LEL, O ₂ , H ₂ S, CO detector	2	10*
	All other configurations	Honeywell BW™ MicroClip X3	6	125**
Honeywell BW™ Clip4	BWC4-Y-N	%LEL, O ₂ , H ₂ S, CO detector, yellow housing	2	325*
	All other configurations	Honeywell BW™ Clip4	6	700**
GasAlertQuattro	QT-XWHM-A-Y-NA	%LEL, O ₂ , H ₂ S, CO detector, alkaline battery	2	10*
	QT-XWHM-R-Y-NA	%LEL, O ₂ , H ₂ S, CO detector, rechargeable battery	2	10*
	All other configurations	GasAlertQuattro	6	100**
MultiPro™	54-48-314NDY	%LEL, O ₂ , Duo-Tox (CO/H ₂ S), rechargeable battery, datalogging and vibrating alarm	2	10*
	54-48-314ADY	%LEL, O ₂ , Duo-Tox (CO/H ₂ S), alkaline battery, datalogging and vibrating alarm	2	10*
	All other configurations	MultiPro™	13	25**
Honeywell BW™ Max XT II	XT-XWHM-Y-NA	%LEL, O ₂ , H ₂ S, CO detector	2	10*
	XT-XWHM-Y-NA-CS	%LEL, O ₂ , H ₂ S, CO detector, with confined space kit	2	4*
	All other configurations	Honeywell BW™ Max XT II	6	100**
Honeywell BW™ Ultra	HU-X1W1H1M100-Y-N	%LEL, O ₂ , H ₂ S, CO detector, rechargeable battery, pump and datalogging	2	3*
	HU-X1W1H1M1S1-Y-N	%LEL, O ₂ , H ₂ S, CO, SO ₂ detector, rechargeable battery, pump and datalogging	2	2*
	HU-X1W1H1M1Q1-Y-N	VOCs, %LEL, O ₂ , H ₂ S, CO detector, rechargeable battery, pump and datalogging	2	3*
	All other configurations	Honeywell BW™ Ultra	6	25**

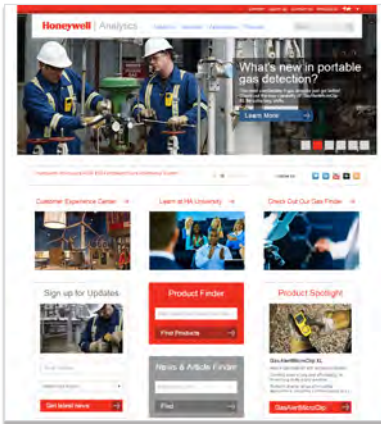
USA Quick Ship Program & Standard Lead Times

			Lead Time (days)	Max Qty
Honeywell IntelliDoX®	DX-CLIP	Honeywell IntelliDoX® docking station for Honeywell BW Clip® Series	2	2*
	DX-MCPL	Honeywell IntelliDoX® docking module for Honeywell BW™ MicroClip Series	2	2*
	DX-BWC4	Honeywell IntelliDoX® docking station for Honeywell BW™ Clip4	2	2*
MicroDock II	DOCK2-2-1C1P-00-G	MicroDock II base station with one Honeywell BW™ MicroClip Series module (charging) with power supply	2	3*
	DOCK2-2-1C1M-00-G	MicroDock II base station with one Honeywell BW™ Max XT II module (charging) with power supply	2	3*
	All other configurations	MicroDock II	6	25**
Sensors & Cartridges	D4-RHM04	Replacement Duo-Tox (CO/H ₂ S) sensor	2	10*
	SR-H-MC	Replacement MICROcel [®] H ₂ S sensor	2	10*
	SR-M-MC	Replacement MICROcel [®] CO sensor	2	10*
	SR-M04-SC	Replacement CO SureCell™ 4 series, 0-1000 ppm	2	5*
	SR-W04	Replacement combustible sensor, with heavy duty silicone filter	2	5*
	SR-W-MP75C	Replacement MICROpeL [®] %LEL sensor	2	10*
	SR-X2V	Replacement O ₂ sensor	2	10*
	SR-X3P	Replacement O ₂ sensor	2	10*
	54-49-80C	Replacement LEL sensor for MultiPro™	2	10*
	54-49-90	Replacement O ₂ sensor for MultiPro™	2	10*
	54-49-14	Replacement Duo-Tox (CO/H ₂ S) sensor for MultiPro™	2	10*
	All other configurations	Sensors	6	25**
	All other configurations	Exotic / Smart Sensors (some exceptions apply)	16	25**
	Accessories	Batteries, chargers and pumps		6
Accessories			6	10**
Calibration gas		Standard	3	10**
Calibration gas		Exotic	6	10**

NOTE: Unless otherwise notified in writing, Honeywell Analytics and BW Technologies by Honeywell ships whole orders only. Shipments containing products with both extended lead times and a 48-hour target lead time, will defer to the longest lead time. Impacts from any global electronic part shortages may potentially override the 48-hour shipment target. Program available to orders placed in the USA only.

Honeywell Analytics Online

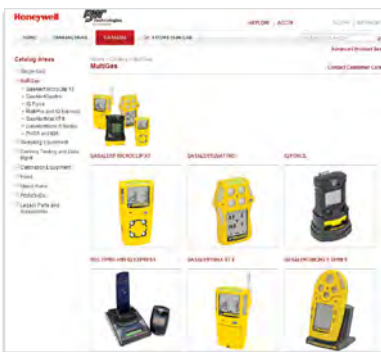
Honeywell Analytics has several online tools to help serve our business partners and customers better. In this section you will find a variety of resources that will allow you to connect with Honeywell Analytics, provide you with up-to-date product information and teach you how to properly use, service and maintain your equipment.



Honeywell Analytics Website

- User interface and site navigation provides users with an easy way of getting to the information they need quickly
- Tools to find relevant products including our Product Finder and advanced search filters allows users to search by brand, application, industry or gas type
- Consolidation of many other websites to once central location so our users can find everything they need in once place
- Responsive design for optimized viewing experiences on mobile devices
- Improved performance for faster loading times and a streamlined experience

To explore these features and more, please visit us at www.honeywellanalytics.com.



Honeywell Analytics Webstore

Honeywell Analytics e-Commerce Webstore will serve as an additional means to help serve our customers better.

The Webstore will enable our distribution partners to perform actions such as:

- Place orders and avoid minimum order fees
- Track shipments
- View product catalog and availability in real-time
- Access historical order information

To receive access, users must register by emailing shopHA@honeywell.com. To help process your registration faster, your email will need to contain the following information:

- Full Name
- Company Name
- Phone Number
- Email Address

You will receive an email containing your user name, temporary password and a login URL within 2 business days.



Honeywell Analytics University

Honeywell Analytics is committed to improving the competence and confidence of our customers—internal and external—by providing the highest quality application and sales training on our industry leading Gas Detection products.

Our HA University (HAU) courses are designed to provide a thorough understanding of Honeywell Analytics products and services, as well as their operation and maintenance.

Visit <http://www.hautraining.com/> for access to:

- Online courses
- Classroom courses
- Informational videos
- Training centers and hotel information
- Technical notes

Social Media

Connect with Honeywell Analytics online with our social media channels.

YouTube www.youtube.com/HoneywellSafety

Twitter www.twitter.com/HoneywellSafety

LinkedIn www.linkedin.com/company/Honeywell

Warranty, Repair, Service and Returns

For Portable Gas Detection Equipment

Honeywell provides simple options for service and repair of your portable gas detection instruments with the type of support to keep your plant and people safe and to keep your business up and running. The following Honeywell Analytics' (HA) warranty, service/repair and return programs apply to both BW Technologies by Honeywell and Honeywell portable gas detection product brands.

Warranty

- Honeywell manufactured products including instruments, accessories and sensors have a limited 2 year warranty period from factory ship date against defects in materials and workmanship (unless otherwise specified). The warranty is void in cases of product damage due to misuse, corrosion or modification.
- Standard product warranty excludes calibration gas and consumable items such as sensor screens and alkaline batteries. For calibration gas, refer to the expiration date on the gas cylinder.
- For specific warranty information, please refer to the documentation supplied with the product.

Honeywell offers an advance replacement program for products less than 75 days old and a Replacement or Repair program for products under warranty. To take advantage of warranty programs, distributors can obtain Return Material Authorization (RMA) by contacting the Honeywell Service Repair Workshop (see contact information below).

Service & Repair

For out-of-warranty product, service and repairs can be initiated by obtaining a Service Notification Number (SNN) from the Honeywell Service Repair Workshop (see contact information below). Service and repair fees for out-of-warranty product are based on a flat rate of 30% of the Instrument's current List Price.

Dangerous Goods

Some products may contain materials that are regulated for transportation under domestic and international dangerous goods regulations. Product must be returned in compliance with all applicable dangerous goods regulations. Contact your carrier for further instructions.

Additional Services

Honeywell offers additional services as listed below. These services are offered solely through distribution partners and can be fulfilled by any Honeywell Factory or Certified Distributor Service Center:

- Installation and commissioning
- Contract maintenance
- Calibration and surveys

Product Returns

Honeywell offers a return-for-credit program for products returned within 60 days of the date of shipment from the manufacturing facility. The following conditions apply to the return-for-credit program:

- Returned product will be subject to a 25% restocking fee
- Credit will only be issued for returns valued at over \$250 per sales order
- Product must be returned in its original, "sellable" condition.

For Warranty, Repair, Service and Returns, please use the contact information below:

US Portables Service Repair Workshop – Pasadena, Texas

Honeywell Industrial Safety
Bay Area Business Park, Building Two
9401 Bay Area Boulevard, Suite 400
Pasadena TX 77507

Tel: 1-800-538-0363 Option 2; Option 3

RMA for Warranty Repair/Replacements and Flat Rate Repairs: bwa.rma@honeywell.com

Honeywell Analytics Lines of Business



Commercial

Gas detection from standalone units to fully engineered, multi-point systems, all offering cost-effective regulatory compliance

Applications:

- Parking structures
- Chillers
- Mechanical rooms
- Office towers
- Commercial buildings
- Shopping centers
- Swimming pools
- Golf courses
- Schools and universities
- Laboratories



Industrial

Renowned Sieger and Manning gas detection systems with advanced electrochemical, infrared and open path sensing technologies

Applications:

- Oil and gas
- Cold storage
- Water/wastewater treatment
- Chemicals
- Engine rooms
- Plastics and fibers
- Agriculture
- Printing and light industrial



Portables

Single or multi-gas and other premium detectors with compact, lightweight designs ranging from simple alarm only units to advanced, fully configurable and serviceable instruments

Applications:

- Underground utility and electricity ducts
- Boiler rooms
- Post-fire sites
- Sewers
- Industrial plants
- Industrial hygiene
- First responder teams
- Remote fleets



High Tech & Government

A complete portfolio of gas and chemical detection instrumentation including infrared spectroscopy (MST) with no cross interference, to Chemcassette paper-based solutions (MDA Scientific) offering detection down to parts per billion

Applications:

- Semiconductor manufacturing and nanotechnology
- Aerospace propulsion and safety
- Specialty chemicals industry
- Research laboratories
- Emergency response



Technical Services

24/7 global network includes post-sales service and Systems Integration teams

- Emergency call out, service contracts, on/off-site repair, training and commissioning
- Complete range of spares, consumables and accessories

Find out more

www.honeywellanalytics.com
detectgas@honeywell.com

USA

Honeywell Analytics Inc
405 Barclay Blvd
Lincolnshire IL 60069-3609
USA
+1.888.749.8878
+1.800.538.0363
TXOJ_InsideSales@honeywell.com

Technical Services

ha.us.service@honeywell.com

Canada

#110, 4411 – 6th Street SE
Calgary, Alberta, Canada
T2G 4E8
+1.888.749.8878
+1.800.538.0363
TXOJ_InsideSales@honeywell.com

Latin & South America

Brazil
Honeywell Industria de Tecnologia Ltda
Rua Oswaldo Cruz, 615 Varginha
Itajubá – MG
+55.35.3629.9000
ha.latinamerica@honeywell.com

Latin & South America

Mexico and CSAR
Honeywell Analytics Inc
405 Barclay Blvd
Lincolnshire IL 60069-3609
USA
Mexico
+52.44.4123.7544
atencionalclientemexico.his@honeywell.com
CSAR
+52.44.4102.7964
atencionalcliente.his@honeywell.com

Please Note:

While every effort has been made to ensure accuracy in this publication, no responsibility can be accepted for errors or omissions. Data may change, as well as legislation, and you are strongly advised to obtain copies of the most recently issued regulations, standards, and guidelines. This publication is not intended to form the basis of a contract.

5062-31-USD-EN
© 2018 Honeywell International Inc.

Honeywell